

Autonics

POWER OFF DELAY TIMER

**AT8PSN/AT8PMN SERIES
INSTRUCTION MANUAL**



Thank you very much for selecting Autonics products.
For your safety, please read the following before using.

■ Safety Considerations

- ※Please keep these instructions and review them before using this unit.
- ※Please observe the cautions that follow;
- ⚠ Warning** Serious injury may result if instructions are not followed.
- ⚠ Caution** Product may be damaged, or injury may result if instructions are not followed.
- ※The following is an explanation of the symbols used in the operation manual.
- ⚠ Caution:**Injury or danger may occur under special conditions.

⚠ Warning

1. **Fail-safe device must be installed when using the unit with machinery that may cause serious injury or substantial economic loss.** (e.g. nuclear power control, medical equipment, ships, vehicles, railways, aircraft, combustion apparatus, safety equipment, crime/disaster prevention devices, etc.)
Failure to follow this instruction may result in fire, personal injury, or economic loss.
2. **Install on a device panel to use.**
Failure to follow this instruction may result in electric shock or fire.
3. **Do not connect, repair, or inspect the unit while connected to a power source.**
Failure to follow this instruction may result in electric shock or fire.
4. **Check 'Connections' before wiring.**
Failure to follow this instruction may result in fire.
5. **Do not disassemble or modify the unit.**
Failure to follow this instruction may result in electric shock or fire.

⚠ Caution

1. **Use the unit within the rated specifications.**
Failure to follow this instruction may result in fire or product damage.
2. **Use dry cloth to clean the unit, and do not use water or organic solvent.**
Failure to follow this instruction may result in electric shock or fire.
3. **Do not use the unit in the place where flammable/explosive/corrosive gas, humidity, direct sunlight, radiant heat, vibration, impact, or salinity may be present.**
Failure to follow this instruction may result in fire or explosion.
4. **Keep metal chip, dust, and wire residue from flowing into the unit.**
Failure to follow this instruction may result in fire or product damage.

■ Ordering Information

AT	8	P	SN	-	
Power supply				2	200-240VAC
				6	24VAC/DC
				7	100-120VAC
				1	100/110VDC
Unit				SN	sec
				MN	min
Operation				P	Power OFF Delay
Plug Type				8	8 Pin
Item				AT	Analog Timer

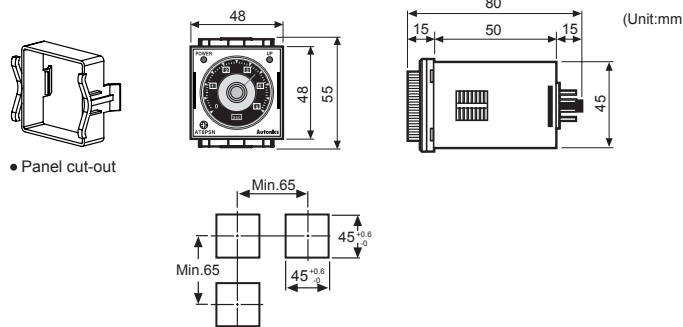
※8 Pin socket(PG-08, PS-08) : Sold separately
 ※The above specifications are subject to change and some models may be discontinued without notice.
 ※Be sure to follow cautions written in the instruction manual and the technical descriptions (catalog, homepage).

■ Specifications

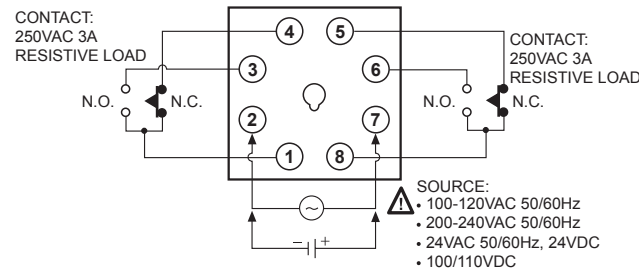
Model	AT8PSN-□	AT8PMN-□
Function	Power OFF Delay	
Control time setting range	0.05 sec ~ 10 sec	0.05 min ~ 10 min
Power supply	• 100-120VAC ~ 50/60Hz • 200-240VAC ~ 50/60Hz • 24VAC ~ 50/60Hz, 24VDC ≒ (Universal) • 100/110VDC ≒	
Allowable voltage range	90 ~ 110% of rated voltage	
Power consumption	• 100-120VAC ~ : 1.5VA • 200-240VAC ~ : 1.5VA • 24VAC ~ : 0.2VA, 24VDC ≒ : 0.2W • 100/110VDC ≒ : 0.8W	
Control output	Contact	Type Capacity
		250VAC ~ 3A resistive load
Relay life cycle	Mechanical	Min. 10,000,000 times
	Electrical	Min. 100,000 times(250VAC 3A resistive load)
Repeat error	Max. ±0.2% ±10ms	
Setting error	Max. ±5% ±50ms	
Voltage error	Max. ±0.5%	
Temperature error	Max. ±2%	
Insulation resistance	100MΩ(at 500VDC megger)	
Dielectric strength	2000VAC 50/60Hz for 1 minute	
Noise strength	Square-wave noise by noise simulator, apply ±2kV in power input terminals	
Vibration	Destruction	0.75mm amplitude at frequency of 10 to 55Hz in each of X, Y, Z directions for 1 hours
	Malfunction	0.5mm amplitude at frequency of 10 to 55Hz in each of X, Y, Z directions for 10 minutes
Shock	Destruction	300m/s ² (Approx. 30G) 3 times at X, Y, Z direction
	Malfunction	100m/s ² (Approx. 10G) 3 times at X, Y, Z direction
Environ-ment	Ambient temperature	-10 ~ 55°C, Storage temperature: -25 ~ 65°C
	Ambient humidity	35 ~ 85%RH, Storage Humidity: 35 ~ 85%RH
Approval	CE, c, UL US	
Unit weight	Approx. 100g	

※Environment resistance is rated at no freezing or condensation.

■ Dimensions

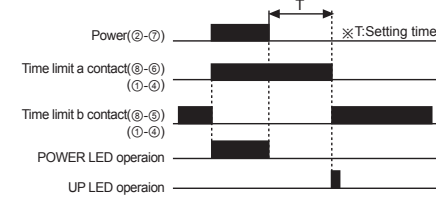


■ Connections



■ Operation and Time Specification

※ "a" contact becomes on as soon as power is supplied, then becomes off when the setting time [T] is up, after the power is turned off. Even though change the setting time after the power is off, time-limit "a" contacts will be off after the setting time which was set before the power off because of the setting time memory retention function.



Model	AT8PSN-□	AT8PMN-□
Unit	sec	min
Setting time range(T)	0.05 ~ 0.5	
	0.1 ~ 1	
	0.5 ~ 5	
	1 ~ 10	
Min. power supply time	0.1 sec	2 sec

■ Cautions during Use

1. Follow instructions in 'Cautions during Use'. Otherwise, It may cause unexpected accidents.
2. 24VDC, 24VAC power supply should be insulated and limited voltage/current or Class 2, SELV power supply device.
3. Supply power for over 0.1 sec for AT8PSN-□ and 2 sec for AT8PMN-□.
Since AT8PSN/PMN are Power Off Delay timer, they operate after turning of the power.
4. When supplying or turning off the power, use a switch or etc. to avoid chattering.
5. Install a power switch or circuit breaker in the easily accessible place for supplying or disconnecting the power.
6. Keep away from high voltage lines or power lines to prevent inductive noise.
In case installing power line and input signal line closely, use line filter or varistor at power line and shielded wire at input signal line.
Do not use near the equipment which generates strong magnetic force or high frequency noise.
7. Change setting time(T1), Y-Δ switching time or etc. after turning off the power of the timer.
8. This product may be used in the following environments.
 - ①Indoors (in the environment condition rated in 'Specifications')
 - ②Altitude max. 2,000m
 - ③Pollution degree 2
 - ④Installation category II

■ Major Products

- Photoelectric Sensors
- Fiber Optic Sensors
- Door Sensors
- Door Side Sensors
- Area Sensors
- Proximity Sensors
- Pressure Sensors
- Rotary Encoders
- Connector/Sockets
- Switching Mode Power Supplies
- Control Switches/Lamps/Buzzers
- I/O Terminal Blocks & Cables
- Stepper Motors/Drivers/Motion Controllers
- Graphic/Logic Panels
- Field Network Devices
- Laser Marking System (Fiber, Co., Nd: YAG)
- Laser Welding/Cutting System
- Temperature Controllers
- Temperature/Humidity Transducers
- SSRs/Power Controllers
- Counters
- Timers
- Panel Meters
- Tachometers/Pulse (Rate) Meters
- Display Units
- Sensor Controllers

Autonics Corporation
<http://www.autonics.com>

■ HEAD QUARTERS:
 18, Bansong-ro 513 beon-gil, Haeundae-gu, Busan, South Korea, 48002
 TEL: 82-51-519-3232
 ■ E-mail: sales@autonics.com