



DESCRIPTION:-

The Binocular Ring Loadcell has an IP-68 protection perfectly suited for industrial applications. Based on the bending beam principle it has excellent repeatability and accuracy.

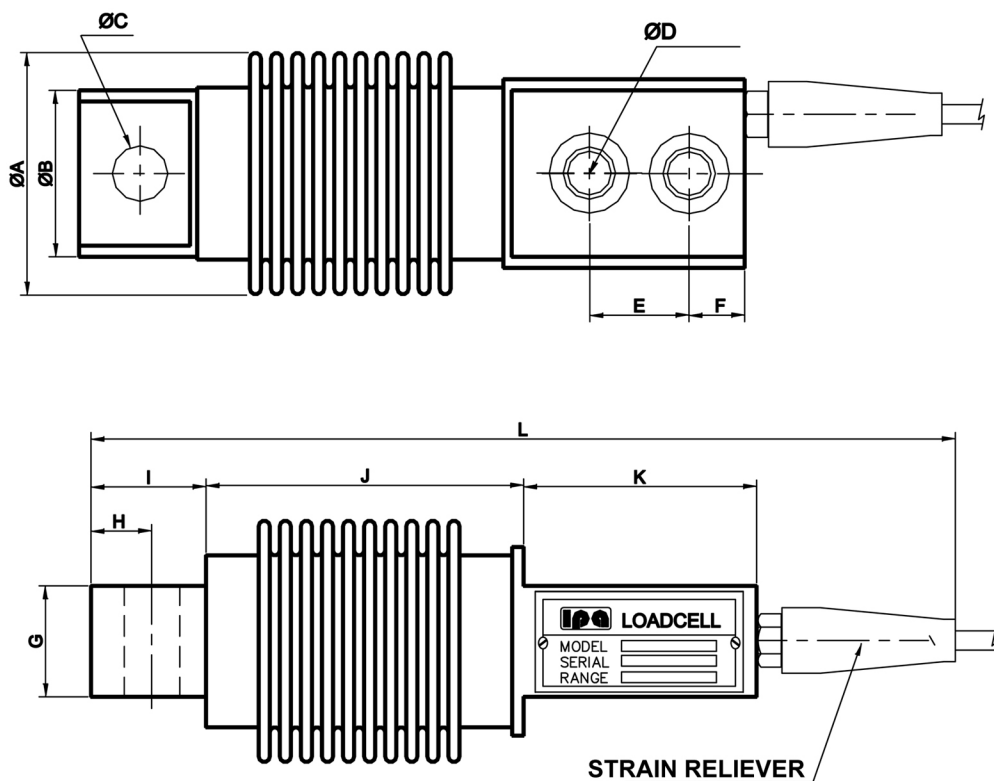
APPLICATIONS:-

Platform Scales, Test Purpose, Hopper Weighing System
Dynamic Weighing Systems like Belt Weigher, Weigh Feeder Screw Feeder and Bag Check Weigher, Batching System etc.

SPECIFICATIONS:-

PARAMETERS	SPECIFIED VALUE		
	Binocular		
Type	(5- 10 KG)	(20-50 KG)	(70 KG-3 T)
Capacity			
Rated Output (mV/ V) ± 0.01	1.5	1.5	1.5
Combined error (% R.O.) \pm	0.05	0.05	0.05
Repeatability (%R.O) \pm	0.05	0.05	0.05
Creep on Load (30 min)(%R.O.) \pm	0.05	0.05	0.05
Zero Balance Voltage (% of FSO)	0.003	0.003	0.003
In-put resistance (Ohms) ± 10	390	390	390
Out-put resistance(Ohms) ± 2	350	350	350
Compensated Temp.Range ($^{\circ}$ C)	5-55	5-55	5-55
Operating Temp. ($^{\circ}$ C)	5-70	5-70	5-70
Temp.Effect on Span (%/ $^{\circ}$ C)	0.003	0.003	0.006
Temp.Effect on Tare (%/ $^{\circ}$ C)	0.008	0.008	0.008
Excitation Voltage (DC 12 V Max)	10	10	10
Safe Overload (%)	200	200	200
Ultimate Overload (%)	300	300	300
Protection Class	IP-55	IP-68	IP-68
Insulation Resistance Bridge(Ohms)	>1000 M	>1000 M	>1000 M
Cable	4 Core Shielded 4 mtrs		

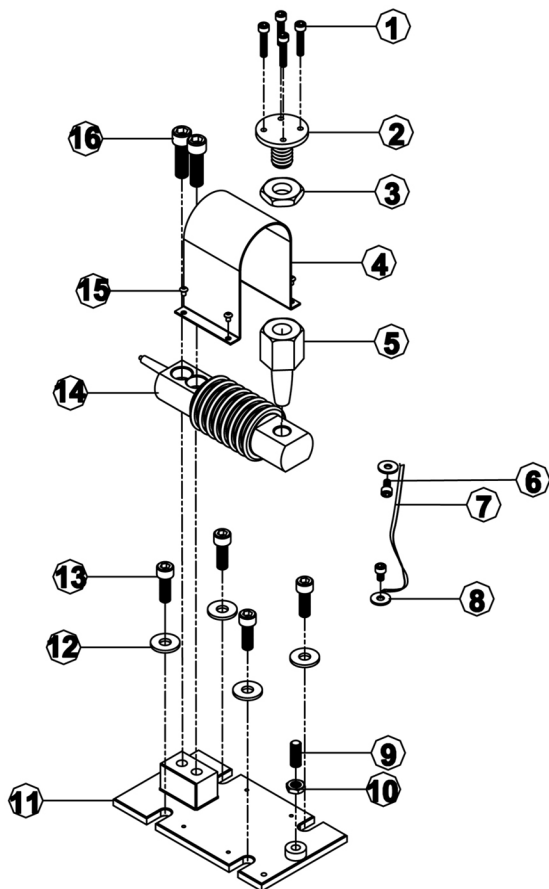
OUTER DIMENSIONS in mm:-



DIMENSION DETAILS:-

CAPACITY (Kg)	MODEL NO	DIMENSIONS(mm)											
		A	B	C	D	E	F	G	H	I	J	K	L
5,10	BR050L0,BR011L0	41	29.5	10	8.5	18	10	20	11	20	48	52	170
20,30	BR021H0,BR031H0	43	29.5	10	8.5	18	10	20	11	20	48	52	170
40,50	BR041H0,BR051H0	43	29.5	10	8.5	18	10	20	11	20	48	52	170
70,100	BR071H0,BR012H0	57	43	15	13	20	15	30	20	40	80	50	220
200,300	BR022H0,BR032H0	57	43	15	13	20	15	30	20	40	80	50	220
500,700, 1000	BR052H0,BR072H0,BR013H0	57	43	15	13	20	15	30	20	40	80	50	220
1500,2000,3000	BR153H0,BR023H0, BR033H0	90	69	20	16.5	32	19	50	25	50	80	70	250

EXPLODED VIEW



PART LIST

NO	DESCRIPTION	QTY./ASSY
1	SOCKET HEAD CAP SCREW	4
2	LOAD BUTTON	1
3	LOCK NUT	1
4	COVER	1
5	LOAD PIN	1
6	HEX HEAD BOLT	2
7	COPPER BRAIDE	1
8	PLAIN WASHER	2
9	GRUB SCREW	1
10	LOCK NUT	1
11	LOAD CELL BASE PLATE	1
12	PLAIN WASHER	4
13	SOCKET HEAD CAP SCREW	4
14	LOAD CELL- BR	1
15	STAR HEAD SCREW	4
16	SOCKET HEAD CAP SCREW	2

ASSEMBLED VIEW

