



## DESCRIPTION:-

These are high capacity compression loadcells using foil strain gauges. These are specifically designed for outdoor applications such as hopper weighing systems, tank weighing systems and silo weighing systems. These are used in case of high capacity applications. These loadcells can be custom built for a particular application and can vary in size and performance. These loadcells are available in the capacity range of 40T to about 1000T.

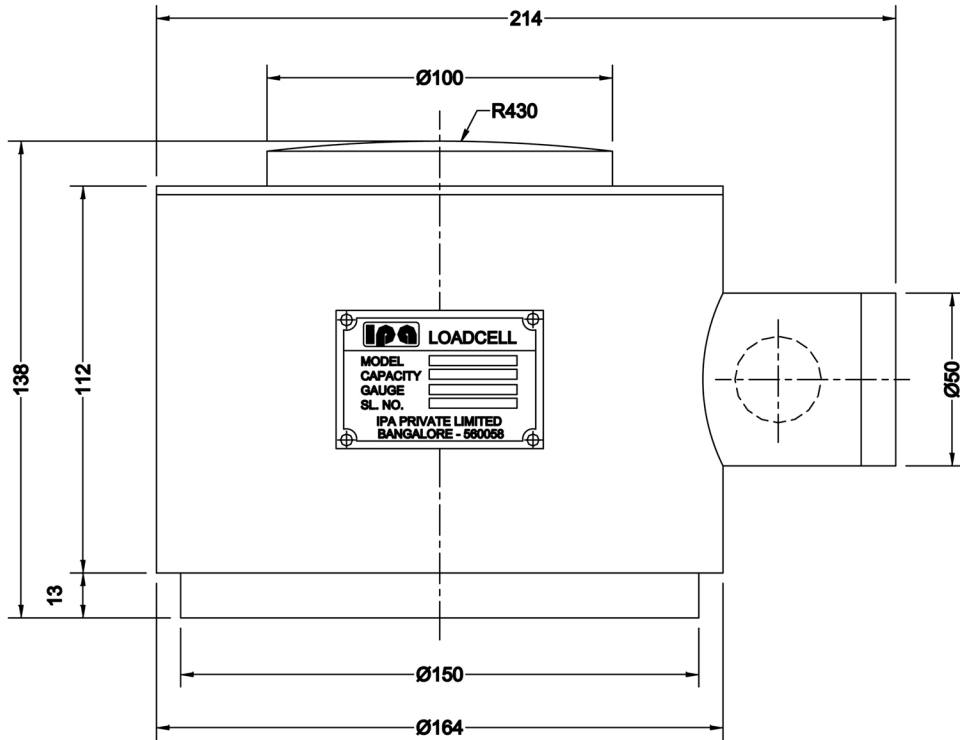
## APPLICATIONS:-

Hopper weighing System, Tank/Silo Weighing System, Bin Level Monitoring System

## SPECIFICATIONS:-

PARAMETERS	SPECIFIED VALUE
Type	Four Column
Capacity (Tons)	50-250
Rated Output (mV/ V) $\pm 0.01$	1.5
Combined error (% R.O.) $\pm$	0.3
Repeatability (%R.0) $\pm$	0.05
Creep on Load (30 min)(%R.O. ) $\pm$	0.05
Zero Balance Voltage (% of FSO)	0.003
In-put resistance (Ohms) $\pm 10$	390
Out-put resistance(Ohms) $\pm 2$	350
Compensated Temp.Range ( $^{\circ}$ C)	5-55
Operating Temp. ( $^{\circ}$ C)	5-70
Temp.Effect on Span (%/ $^{\circ}$ C)	0.003
Temp.Effect on Tare (%/ $^{\circ}$ C)	0.008
Excitation Voltage (DC 12 V Max)	10
Safe Overload (%)	200
Ultimate Overload (%)	300
Protection Class	IP-68
Insulation Resistance Bridge(Ohms)	>1000 M
Cable	4 Core Shielded 4 Mtrs

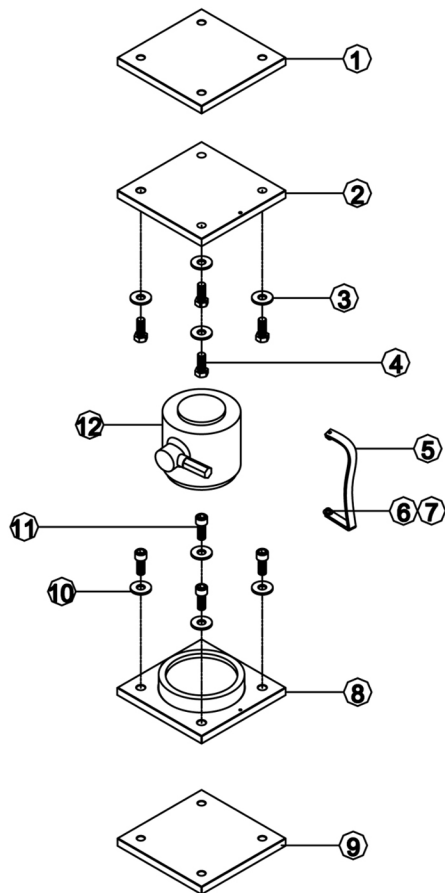
## OUTER DIMENSIONS in mm:-



## TABLE:-

CAPACITY (TON)	MODEL NO
50	FC054H0
70	FC074H0
100	FC015H0
150	FC154H0
200	FC025H0
250	FC254H0

## EXPLODED VIEW



## PART LIST

NO	DESCRIPTION	QTY./ASSY
1	TOP PLATE	1
2	TOP PLATE WITH THRUST PAD	1
3	PLAIN WASHER	4
4	HEX BOLT	4
5	COPPER BRAIDE	1
6	HEX HEAD BOLT	2
7	PLAIN WASHER	2
8	LOAD CELL BASE PLATE	1
9	BASE PALTE	1
10	PLAIN WASHER	4
11	SOCKET HEAD CAP SCREW	4
12	LOAD CELL - FC	1

## ASSEMBLED VIEW

