



DESCRIPTION:-

Compression Load Cell range from 500 kg to 3 Ton hermetically sealed for protection upto IP-68 class. Best Suited for harsh industrial atmosphere.

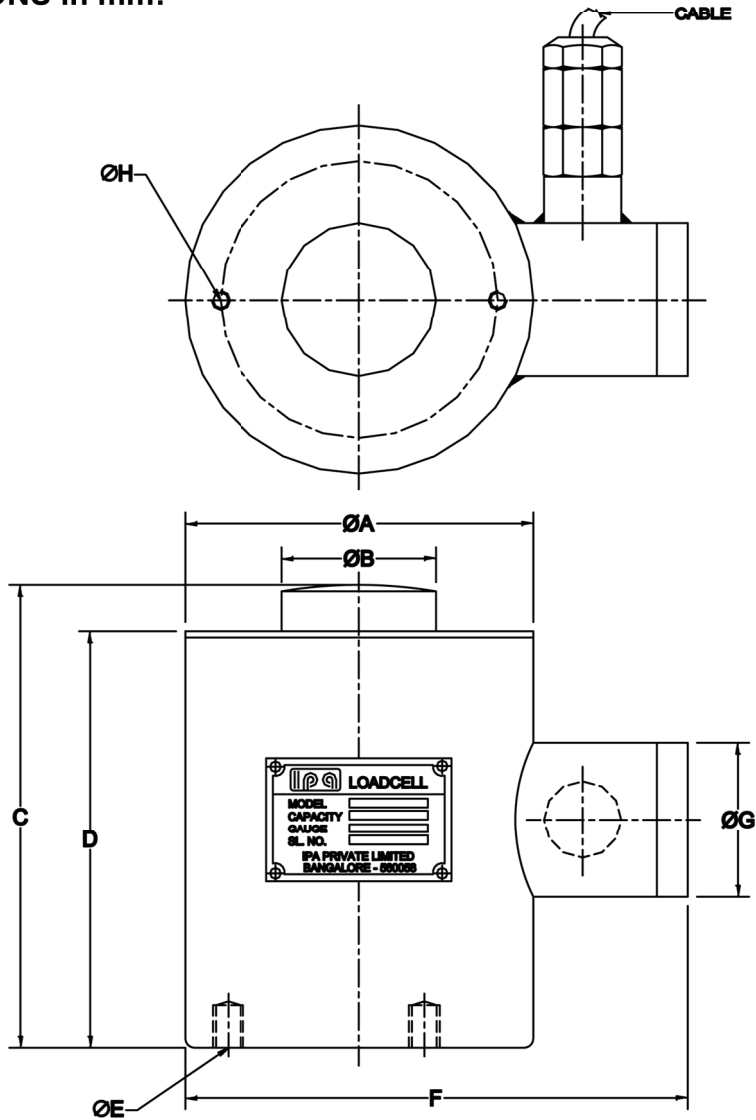
APPLICATIONS:-

Batching Systems, High Capacity Hopper/Silo Weighing System, Crane Weighing System Testing Machines, Truck Scales

SPECIFICATIONS:-

PARAMETERS	SPECIFIED VALUE
Type	Compression
Capacity	(500 KG-30 T)
Rated Output (mV/ V) ± 0.01	1.5
Combined error (% R.O.) \pm	0.05
Repeatability (%R.0) \pm	0.05
Creep on Load (30 min)(%R.O.) \pm	0.05
Zero Balance Voltage (% of FSO)	0.003
In-put resistance (Ohms) ± 10	390
Out-put resistance(Ohms) ± 2	350
Compensated Temp.Range ($^{\circ}$ C)	5-55
Operating Temp. ($^{\circ}$ C)	5-70
Temp.Effect on Span (%/ $^{\circ}$ C)	0.003
Temp.Effect on Tare (%/ $^{\circ}$ C)	0.008
Excitation Voltage (DC 12 V Max)	10
Safe Overload (%)	200
Ultimate Overload (%)	300
Protection Class	IP-68
Insulation Resistance Bridge(Ohms)	>1000 M
Cable	4 Core Shielded 4mtrs

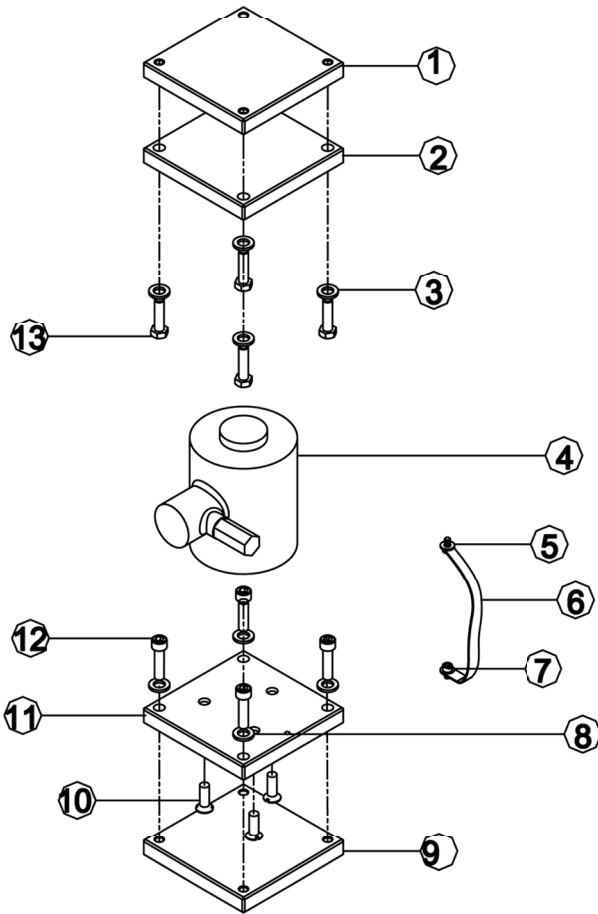
OUTER DIMENSIONS in mm:-



DIMENSION DETAILS:-

CAPACITY (Kg)	MODEL NO	DIMENSIONS (in mm)							
		$\varnothing A$	$\varnothing B$	C	D	$\varnothing E$	F	$\varnothing G$	$\varnothing H$
500,700	CR052H0,CR072H0	89	32	108	98	M6×16	139	50	M6×10
1000,2000,3000	CR013H0,CR023H0,CR033H0	89	32	108	98	M6×16	139	50	M6×10
5000,7000,10000	CR053H0,CR073H0,CR014H0	113	50	150	135	M10×15	163	50	M6×5
15000,20000	CR153H0,CR024H0	113	50	150	135	M10×15	163	50	M6×5
25000,30000	CR253H0,CR034H0	113	50	150	135	M10×15	163	50	M6×5

EXPLODED VIEW



PART LIST

NO	DESCRIPTION	QTY./ASSY
1	TOP PLATE	1
2	TOP PLATE WITH THRUST PAD	1
3	PLAIN WASHER	4
4	LOAD CELL-CR	1
5	PLAIN WASHER	2
6	COPPER BRAIDE	1
7	HEX HEAD BOLT	2
8	PLAIN WASHER	4
9	BASE PLATE	1
10	HEX. SOCKET HEAD CAP SCREW	3
11	LEAD CELL BASE PLATE	1
12	HEX. BOLT	4
13	HEX. BOLT	4

ASSEMBLED VIEW

