

Spot Nozzle Special nozzle for **EC-B02**
EC-BAS

CMJE-ECBAS No.0032-36V

Thank you very much for using Panasonic products.
Please read this Instruction Manual carefully and thoroughly for the correct and optimum use of this product.
Kindly keep this manual in a convenient place for quick reference.

1 OUTLINE

- This is a special nozzle for the **EC-B02** static electric charge removing and dust collection cleaner box.
- The nozzle can be rotated freely to enable spot charge removal.

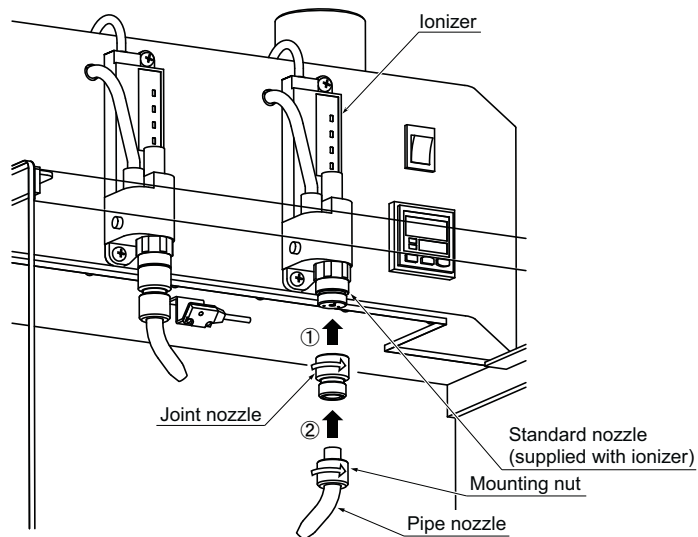
2 SPECIFICATIONS

Designation	Spot Nozzle
Item Model name	EC-BAS
Air pressure range	0.05 to 0.5MPa
Material	Stainless steel

3 INSTALLATION

Procedure

- ① Install the joint nozzle to the standard nozzle of the ionizer.
- ② Provisionally secure the pipe nozzle and the mounting nut to the joint nozzle as shown in the diagram below.
- ③ Adjust the direction of the pipe nozzle, and then tighten the mounting nut to secure the pipe nozzle in that position.

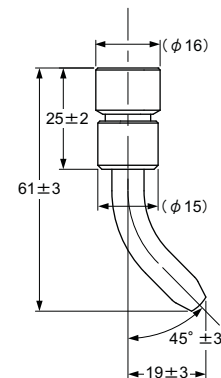


4 CAUTIONS

- This product has been developed / produced for industrial use.
- The charge removal effectiveness will vary depending on the air pressure value. Use at the optimum air pressure.
- Never attempt to modify the nozzle. If a modified nozzle is used, it may not be possible to obtain correct charge removal performance.

5 DIMENSIONS (Unit: mm)

• **EC-BAS**



Panasonic Industrial Devices SUNX Co., Ltd.

<http://panasonic.net/id/pidsx/global>

Overseas Sales Division (Head Office)

2431-1 Ushiyama-cho, Kasugai-shi, Aichi, 486-0901, Japan

Phone: +81-568-33-7861 FAX: +81-568-33-8591

About our sale network, please visit our website.

PRINTED IN JAPAN

© Panasonic Industrial Devices SUNX Co., Ltd. 2012