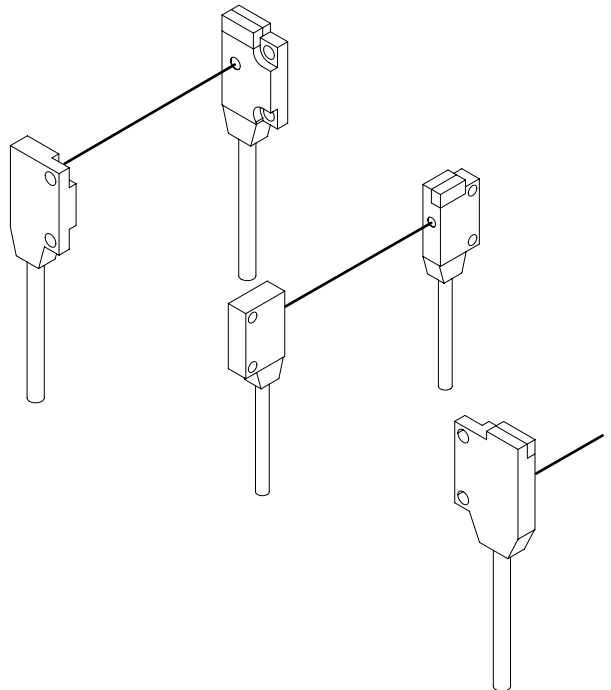


Amplifier Built-in Ultra-slim
Photoelectric sensor

EX-10 Series USER'S MANUAL



Contents

1.	Introduction	4
2.	Safety Precautions (Always observe)	5
3.	Precaution	6
4.	Standards and Regulatory Compliance	7
5.	Model No.	8
6.	Part Description	9
7.	Mounting	11
7-1	Mounting of the sensor	11
7-2	Mounting interval	12
8.	I/O Circuit Diagram	18
9.	Stability Indicator	19
10.	Beam alignment	19
11.	Option	20
11-1	Slit Mask (optional)	20
11-2	Sensor mounting bracket (optional)	20
12.	Specifications	21
12-1	Standard-beam type	21
12-2	Narrow-beam type	23
13.	Dimensions	24
14.	When Using for Safety Applications	30
14-1	Safety Precautions (Always observe)	30
14-2	Safety Functions	30
14-3	Safety Standards and Regulations	31
14-3-1	Parameters related to safety (Parameters described in ISO13849-1)	31
14-3-2	Cautions when using in a ISO13849-1 Category 3 PLd system	32
14-4	Maintenance	33
14-4-1	Daily Inspection	33
14-4-2	Regular (Bi-annual) Inspection	33
14-4-3	Inspection Upon Product Replacement or Adjustment of the Beam Axis	33
14-5	Troubleshooting	34

Thank you for purchasing an **EX-10** series amplifier built-in ultra slim photoelectric sensor.
Read this document carefully and thoroughly for the correct and optimum use of this product.
Keep this document in a convenient place for quick reference.

Please note

- 1) No part of this document should be copied or reprinted in any form or by any means without prior permission in writing from the publisher.
- 2) The contents of this document are subject to change without notice for future improvement.
- 3) Every effort is made to produce this document. If you find any question, error, incorrect collating and/or missing page, please do not hesitate to contact our nearest local office to you: Panasonic Industrial Devices SUNX.
- 4) This document (Japanese and English) is an original publication.

1. Introduction

The **EX-10** series (**EX-11**□ / **EX-13**□ / **EX-19**□ / **EX-14**□) conforms to the international standard ISO 13849-1 (Category 1, PLc) and can be used as a detection device to indirectly protect the human body.

"When Using for Safety Applications" on Page 30 contains safety information related to the **EX-11**□ / **EX-13**□ / **EX-19**□ / **EX-14**□ when used as part of a safety system.

When using with compatible products for safety applications, be sure to read this document in addition to the instruction manuals included with those devices.

The content of "When Using for Safety Applications" applies to the following persons who have received appropriate training and have knowledge of photoelectric safety sensors.

- Those who are in charge of introduction of this device.
- Those who incorporate this device into systems or design them.
- Those who install and/or connect this device.
- Those who manage or perform operations at sites where this device is used.


Do not use the **EX-15**□ / **EX-17**□ for either the direct detection of human forms or for the indirect protection of the human body.

Before using this device, be sure to read Chapters 2 through 13 (page 5 to 24) of this document in addition to the instruction manuals included with other devices used in the system.

2. Safety Precautions Always observe

This manual explains important rules that must be observed to prevent personal injury and property damage.

- The hazards that may occur if the product is used incorrectly are described and classified by level of harm.

 **WARNING** Risk of death or serious injury.

WARNING

- Do not use this product for an application where it directly detects the human body. Otherwise, there is a risk of death or serious injury.
- When the human body needs to be detected for safety application, use products that conform to the laws and standards related to human body detection for safety application in each country, such as OSHA, ANSI, and IEC.

3. Precaution

- This product has been developed / produced for industrial use only.
- The narrow beam type **EX-1□S□** emits a narrow light beam, so it is difficult to align the beam. Use the instrument with the emitter and the receiver facing each other in a straight line. Note that if screws or other parts become loose due to vibration, for example, the beam axis may drift.
- Sensor mounting bracket (optional) **MS-EX-10-□** is a bracket for standard-beam type. It cannot be used for narrow-beam type.
- For the convergent reflective type **EX-14□**, if there is a reflective object (e.g., a conveyor, etc.) in the background of the sensing object, since it may affect the sensing, use by keeping enough distance from the reflective object.
- The thin cable 0.1mm² is used for this product. Thus, take care that if the cable is pulled with excessive force, it may cause cable break.
- Extension up to total 50m (each emitter and receiver of thru-beam type), or less, is possible with 0.3mm², or more of conductor area cable. When using for safety applications, use a cable that is 30m or less in length.
- The extension of a power supply line and the output line of less than 10m is acceptable in case using this product as conforming to S-mark.
- Make sure that stress by forcible bend or pulling is not applied directly to the sensor cable joint.
- Make sure to carry out wiring in the power supply off condition.
- Take care that wrong wiring will damage the sensor.
- Verify that the supply voltage variation is within the rating.
- If power is supplied from a commercial switching regulator, ensure that the frame ground (F.G.) terminal of the power supply is connected to an actual ground.
- In case noise generating equipment (switching regulator, inverter motor, etc.) is used in the vicinity of this product, connect the frame ground (F.G.) terminal of the equipment to an actual ground.
- Do not run the wires together with high-voltage lines or power lines, or put them in the same race-way.
- Take care that the sensor is not directly exposed to fluorescent lamp from a rapid-starter lamp, a high frequency lighting device or sunlight etc., as it may affect the sensing performance.
- Do not use during the initial transient time (**EX-15□**, **EX-15E□**, **EX-17□**, **EX-17E□**: 100ms / others: 50ms) after the power supply is switched ON.
- This sensor is suitable for indoor use only.
- Do not use this sensor in places having excessive vapor, dust, etc., or where it may come in contact with corrosive gas, etc.
- Take care that the product does not come in contact with oil, grease, organic solvents such as thinner, etc., strong acid or alkaline.
- This product cannot be used in an environment containing inflammable or explosive gasses.
- Never disassemble or modify the product.
- Since the cable end is not waterproof, do not use the sensor in the application where water may seep in from the cable end.

4. Standards and Regulatory Compliance

This product conform to the following standards and regulations.(The **EX-15**□/**EX-17**□ is excluded from this.)

<European Directives>

EMC Directive 2014/30/EU

<European Standards>

EN 60947-5-2

<International Standards>

ISO 13849-1: 2015(Category 1, PLc)

5. Model No.

■ EX-11□ / EX-13□ / EX-19□ / EX-14□

EX-1 **A** **B** **C** **D** - **E** - **F**

A Sensing distance

1: Thru-beam type (150 mm), 3: Thru-beam type (500 mm), 4: Convergent reflective type,
9: Thru-beam type (1 m)

B Beam type

None: Standard-beam, S: Narrow-beam

C Sensing surface

None: Front sensing, E: Side sensing

D Output operation

A: Light-ON, B: Dark-ON

E Comparative output

None: NPN output, PN: PNP output

F Cable

None: Standard cable (Length: 2 m), C5: Standard cable (Length: 5 m),
R: Flexible cable (Length: 2 m)

■ EX-15□ / EX-17□

EX-1 **A** **B** - **C**

A Sensing distance

5: Thru-beam with operation mode switch on bifurcation (Sensing distance: 150 mm),
7: Thru-beam with operation mode switch on bifurcation (Sensing distance: 500 mm)

B Sensing surface

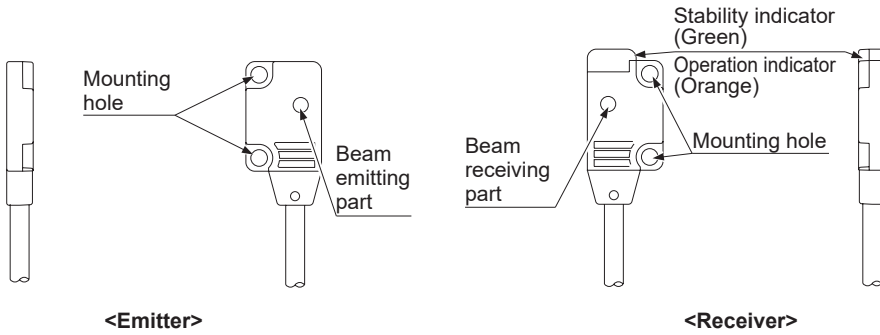
None: Front sensing, E: Side sensing

C Cable length

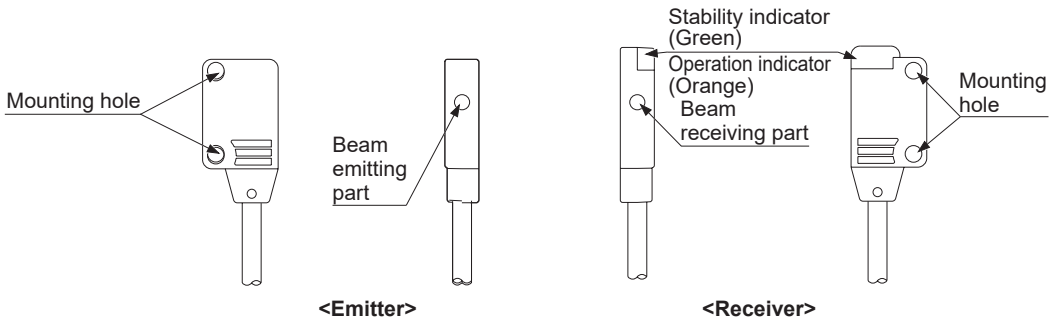
None: 2 m, C5: 5 m

6. Part Description

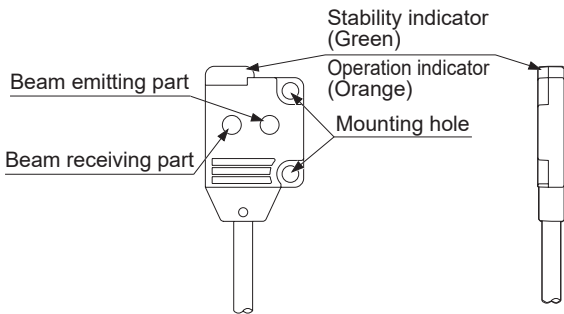
Thru-beam front sensing type: EX-11□, EX-13□, EX-19□, EX-11S□, EX-13S□, EX-19S□



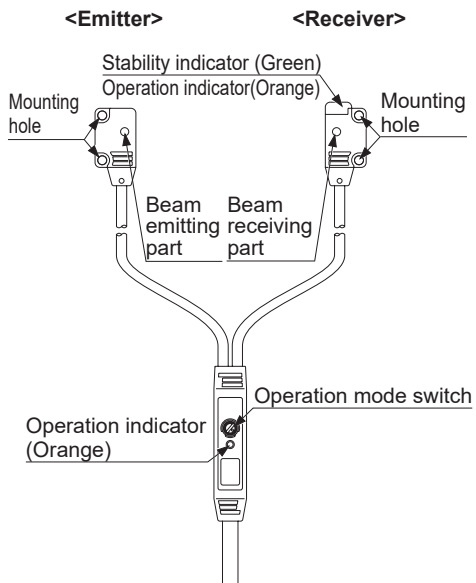
Thru-beam side sensing type: EX-11E□, EX-13E□, EX-19E□, EX-11SE□, EX-13SE□,



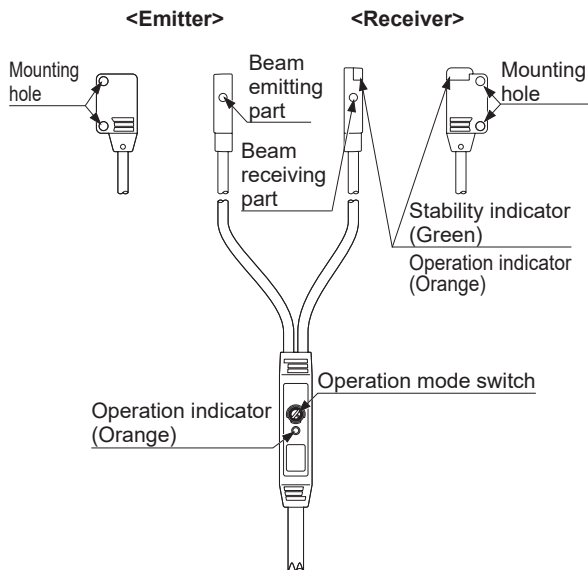
Convergent reflective front sensing type: EX-14□



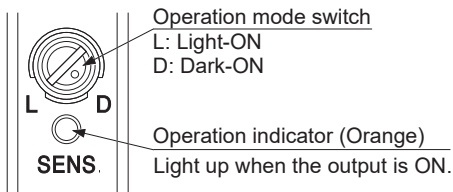
**Thru-beam front sensing type with operation mode switch on bifurcation:
EX-15, EX-17**



**Thru-beam side sensing type with operation mode switch on bifurcation:
EX-15E, EX-17E**



<Operation mode switch>



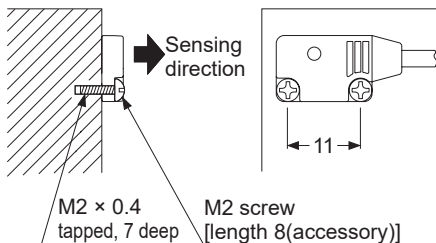
Switch position	Operation	Description
	Light-ON	Light-ON mode is set when the switch is turned fully clockwise (L side).
	Dark-ON	Dark-ON mode is set when the switch is turned fully counterclockwise (D side).

7. Mounting

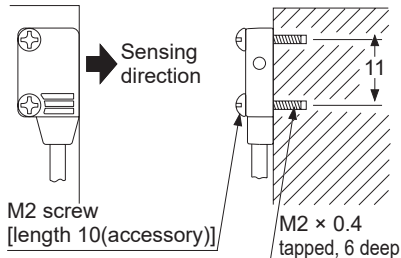
7-1 Mounting of the sensor

- The tightening torque should be 0.2 N·m or less.
- The narrow beam type EX-1□S□ emits a narrow light beam, so it is difficult to align the beam. Note that if screws or other parts become loose due to vibration, for example, the beam axis may drift.
- In case of mounting on tapped holes (Unit: mm)

Front sensing

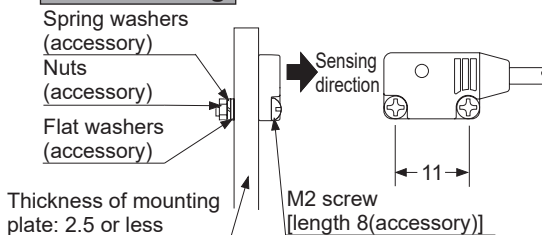


Side sensing

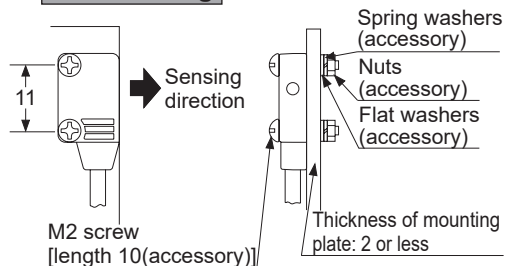


- In case of using attached screws and nuts (Unit: mm)

Front sensing



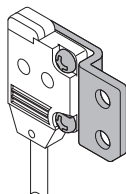
Side sensing



- In case of using mounting bracket (optional)

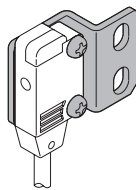
The sensor bracket is an object for standard-beam type. It cannot be used for narrow-beam type.

MS-EX-10-1



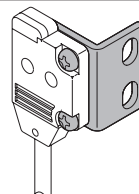
Material: SPCC (Uni-chrome plated)
Two M2 (length 4 mm) pan head screws (Accessory)

MS-EX-10-2



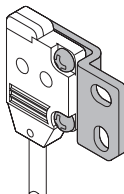
Material: SPCC (Uni-chrome plated)
Two M2 (length 8 mm) pan head screws (Accessory)

MS-EX-10-3



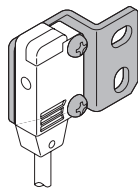
Material: SPCC (Uni-chrome plated)
Two M2 (length 4 mm) pan head screws
Two M2 (length 8 mm) pan head screws
Accessory: 2 pan head screws each

MS-EX-10-11



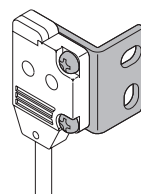
Material: SUS304
Two M2 (length 4 mm) pan head screws (Accessory)

MS-EX-10-12



Material: SUS304
Two M2 (length 8 mm) pan head screws (Accessory)

MS-EX-10-13

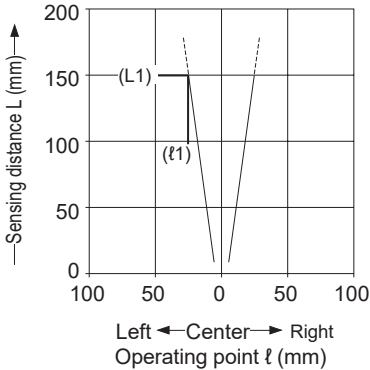


Material: SUS304
Two M2 (length 4 mm) pan head screws SUS304
Two M2 (length 8 mm) pan head screws SUS304
Accessory: 2 pan head screws each

7-2 Mounting interval

- This product does not incorporate auto interference function. In case mounting two sets or more of the this product close together, please mount them as drawing below indicates (typical example)
- Find out the operating point ℓ on the parallel deviation diagram for the setting distance L. Separate sensors by $2 \times \ell$ or more.

Thru-beam type: EX-11□, EX-15□, parallel deviation diagram (typical)



EX-11□, EX-15□: Approx. 46.8mm or more

EX-11□, EX-15□: Approx. 46.8mm or more

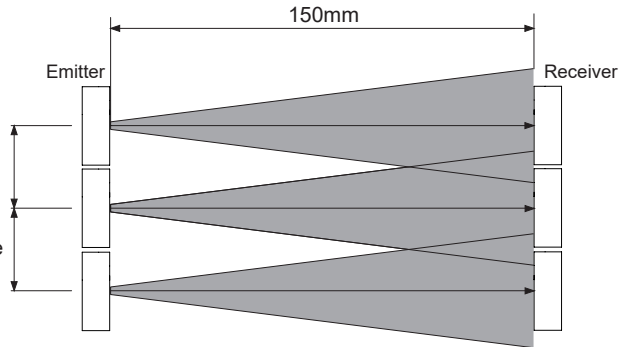
<Installation interval for EX-11□, EX-15□>

In case using at sensing distance (L1) 150mm, the operation point (ℓ_1) is approx. 23.4mm according to diagram above.

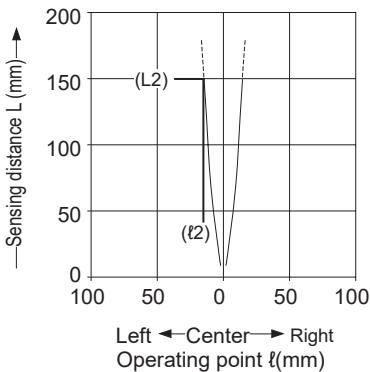
The installation interval is

Approx. 23.4mm \times 2 = approx. 46.8mm

Thus, install approx.46.8mm or more away.



Thru-beam type: EX-11E□, EX-15E□, parallel deviation diagram (typical)



EX-11E□, EX-15E□: Approx. 30mm or more

EX-11E□, EX-15E□: Approx. 30mm or more

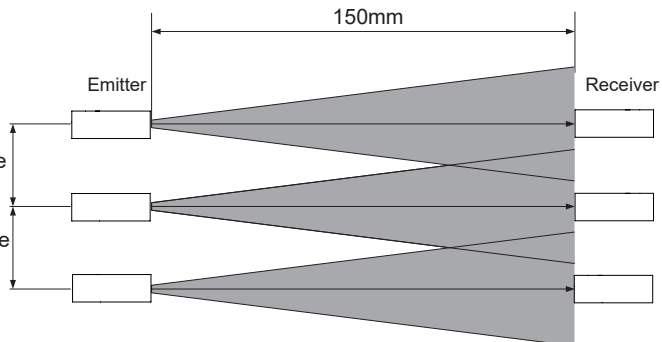
<Installation interval for EX-11E□, EX-15E□>

In case using at sensing distance (L2) 150mm, the operation point (ℓ_2) is approx. 15mm according to diagram above.

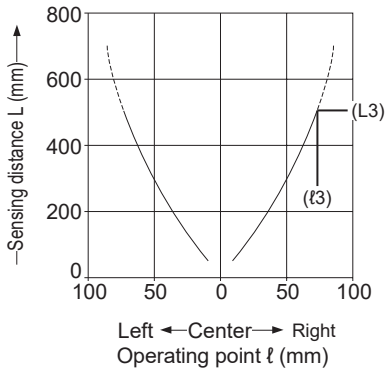
The installation interval is

Approx. 15mm \times 2 = approx. 30mm

Thus, install approx. 30mm or more away.



Thru-beam type: EX-13□, EX-17□ parallel deviation diagram (typical)



EX-13□, EX-17□ approx. 153.2mm or more

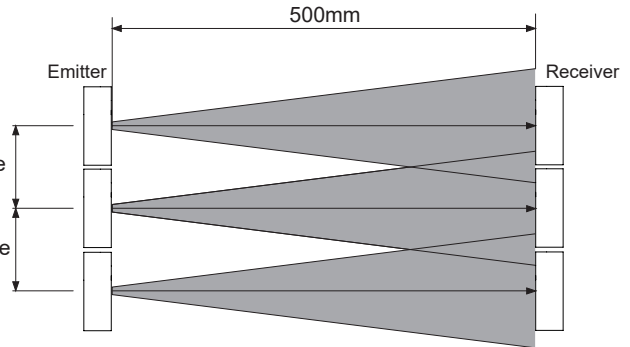
EX-13□, EX-17□ approx. 153.2mm or more

<Installation interval for EX-13□, EX-17□>
In case using at sensing distance ($L3$) 500mm, the operation point ($l3$) is approx. 76.6mm according to diagram above.

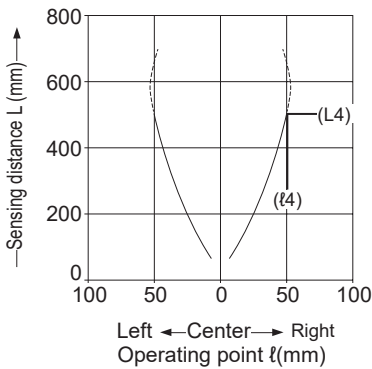
The installation interval is

Approx. $76.6\text{mm} \times 2 =$ approx. 153.2mm

Thus, install approx. 153.2mm or more away



Thru-beam type: EX-13E□, EX-17E□ parallel deviation diagram (typical)



EX-13E□, EX-17E□: approx. 100mm or more

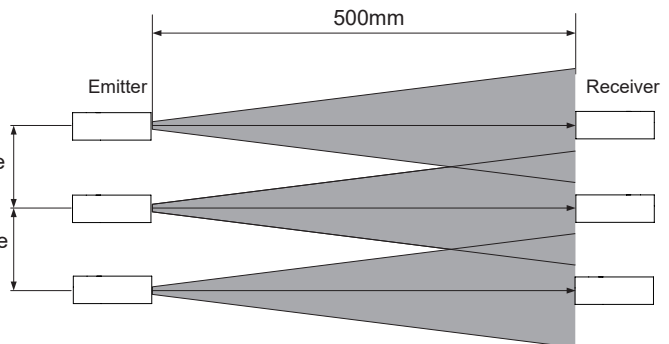
EX-13E□, EX-17E□: approx. 100mm or more

<Installation interval for EX-13E□, EX-17E□>
In case using at sensing distance ($L4$) 500mm, the operation point ($l4$) is approx. 50mm according to diagram above.

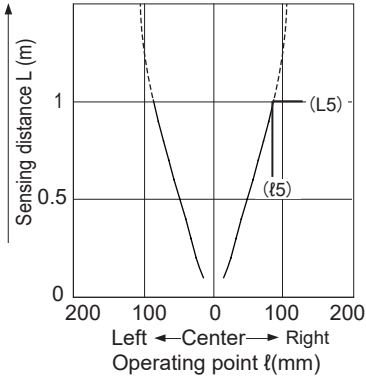
The installation interval is

Approx. $50\text{mm} \times 2 =$ approx. 100mm

Thus, install approx. 100mm or more away.



Thru-beam type: EX-19□, parallel deviation diagram (typical)



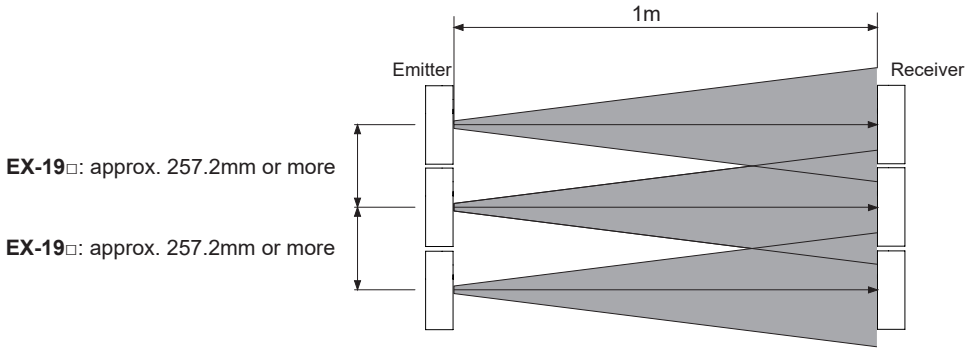
<Installation interval for EX-19□>

In case using at sensing distance (L5) 1m, the operation point (ℓ5) is approx. 128.6mm according to diagram above.

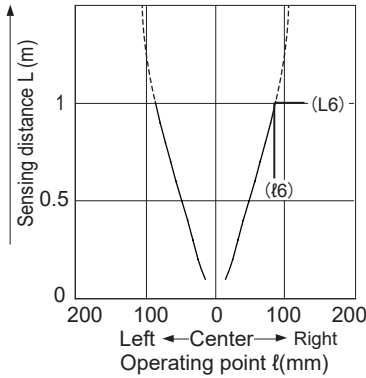
The installation interval is

Approx. 128.6mm × 2 = approx. 257.2mm

Thus, install approx. 257.2 or more away.



Thru-beam type: EX-19E□, parallel deviation diagram (typical)



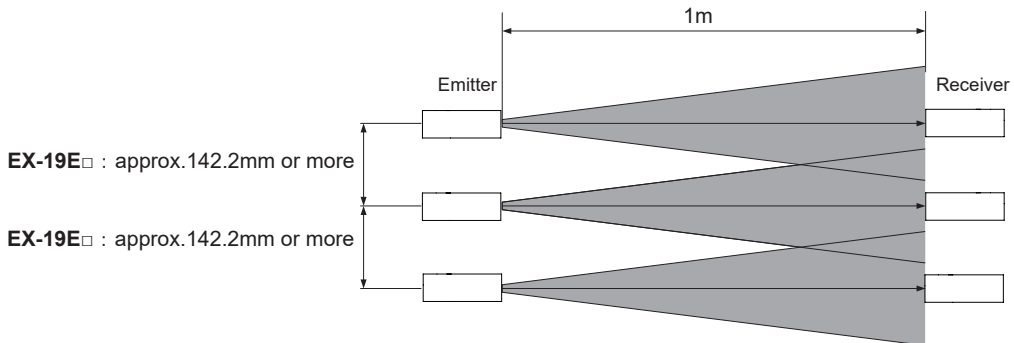
<Installation interval for EX-19E□>

In case using at sensing distance (L6) 1m, the operation point (ℓ6) is approx. 71.1mm according to diagram above.

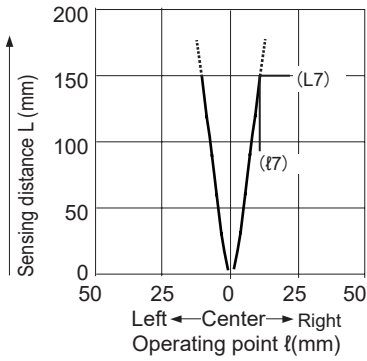
The installation interval is

Approx. 71.1mm × 2 = approx. 142.2mm

Thus, install approx. 142.2 or more away.



Thru-beam type: EX-11S□, parallel deviation diagram (typical)



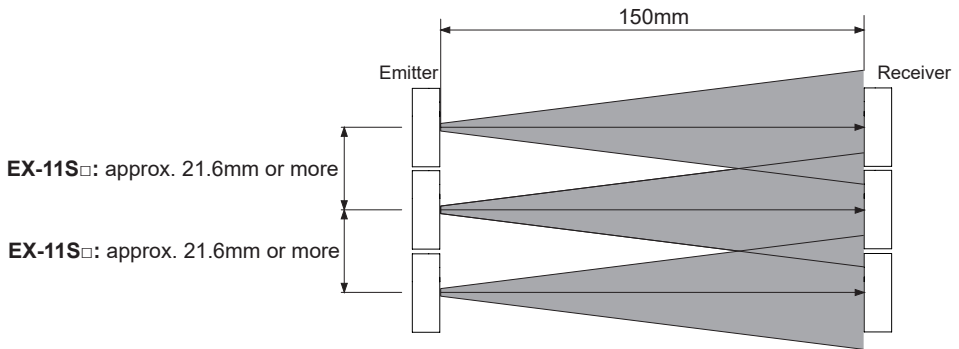
<Installation interval for EX-11S□>

In case using at sensing distance (L7) 150mm, the operation point (l7) is approx. 10.8mm according to diagram above.

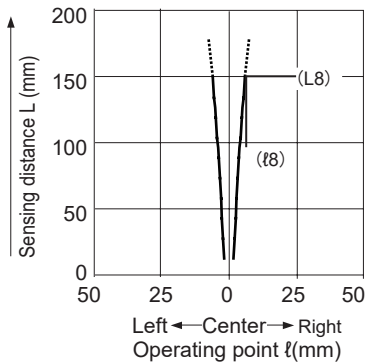
The installation interval is

Approx. 10.8mm × 2 = approx. 21.6mm

Thus, install approx.21.6 or more away.



Thru-beam type: EX-11SE□, parallel deviation diagram (typical)



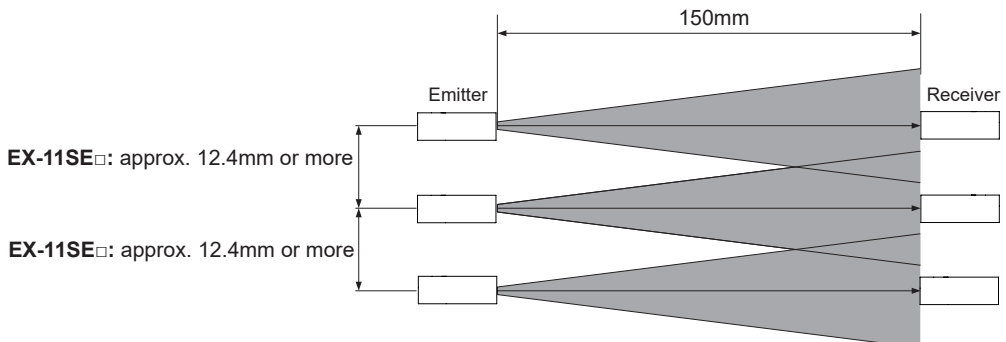
<Installation interval for EX-11SE□>

In case using at sensing distance (L8) 150mm, the operation point (l8) is approx. 6.2mm according to diagram above.

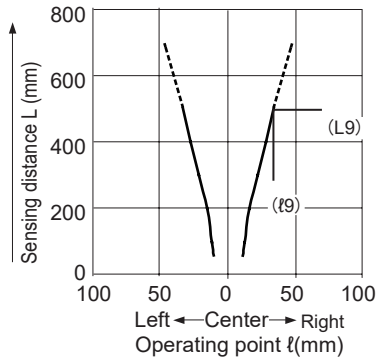
The installation interval is

Approx. 6.2mm × 2 = approx. 12.4mm

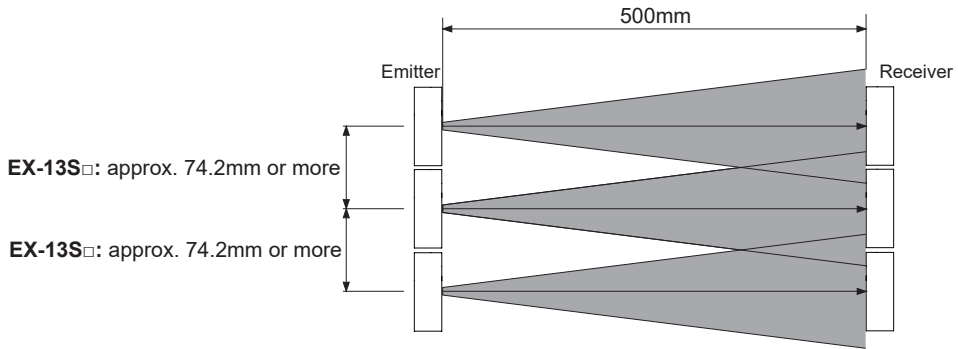
Thus, install approx.12.4 or more away.



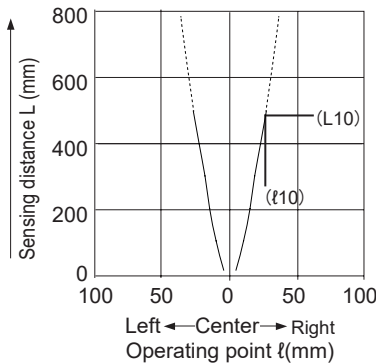
Thru-beam type: EX-13S□, parallel deviation diagram (typical)



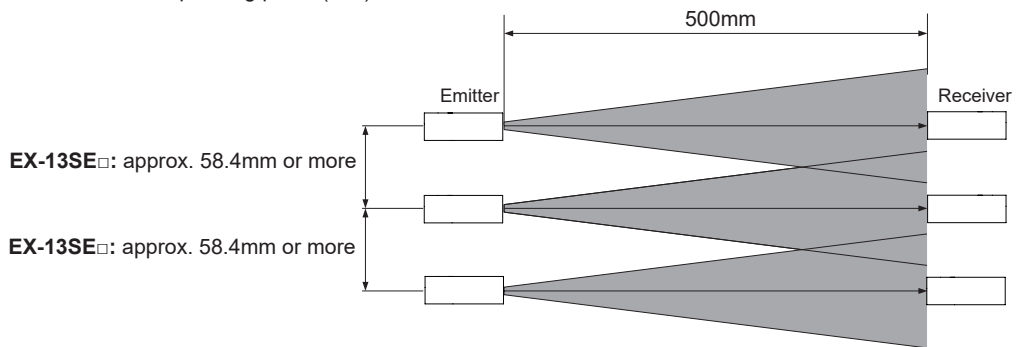
<Installation interval for **EX-13S**□>
 In case using at sensing distance (L9) 500mm, the operation point (l9) is approx. 37.1mm according to diagram above.
 The installation interval is
 Approx. 37.1mm × 2 = approx. 74.2mm
 Thus, install approx.74.2 or more away.



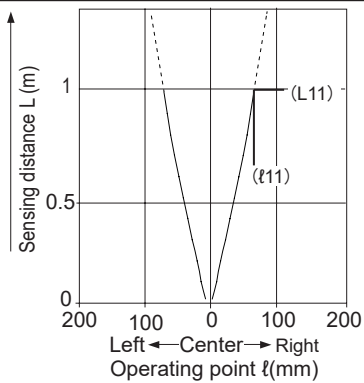
Thru-beam type: EX-13SE□, parallel deviation diagram (typical)



<Installation interval for **EX-13SE**□>
 In case using at sensing distance (L10) 500mm, the operation point (l10) is approx. 29.2mm according to diagram above.
 The installation interval is
 Approx. 29.2mm × 2 = approx. 58.4mm
 Thus, install approx.58.4 or more away.



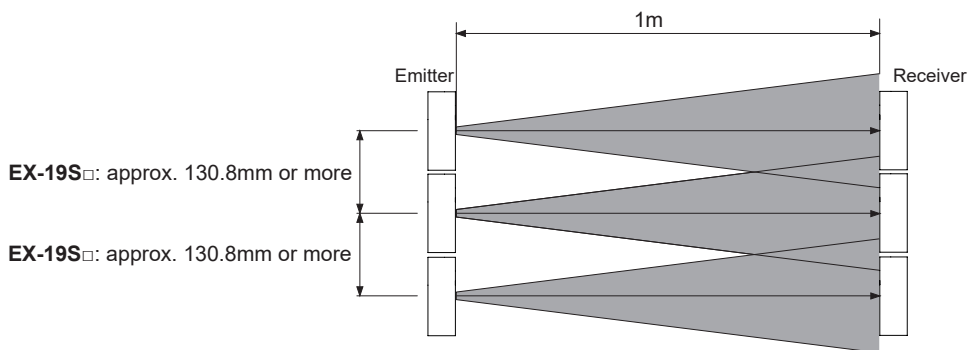
Thru-beam type: EX-19S□, parallel deviation diagram (typical)



<Installation interval for EX-19S□>

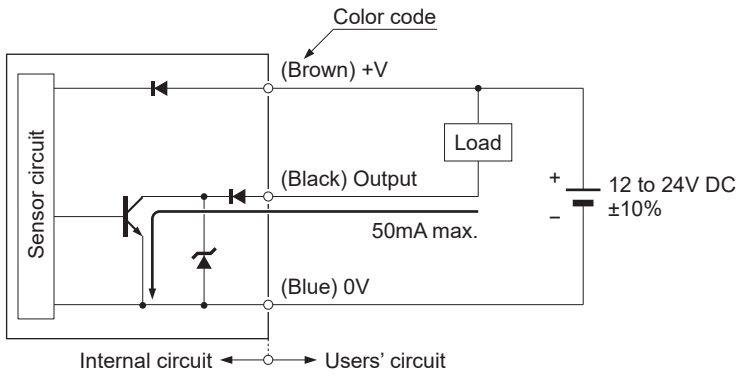
In case using at sensing distance (L11) 1m, the operation point (l11) is approx. 65.4mm according to diagram above.

The installation interval is
 Approx. 65.4mm × 2 = approx. 130.8mm
 Thus, install approx.130.8 or more away.



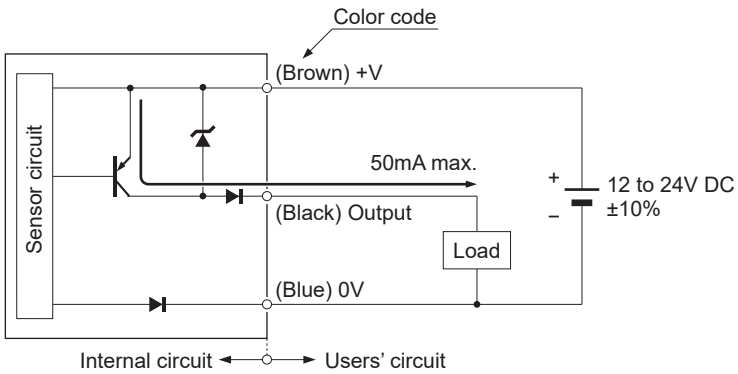
8. I/O Circuit Diagram

EX-11□, EX-13□, EX-19□, EX-14□



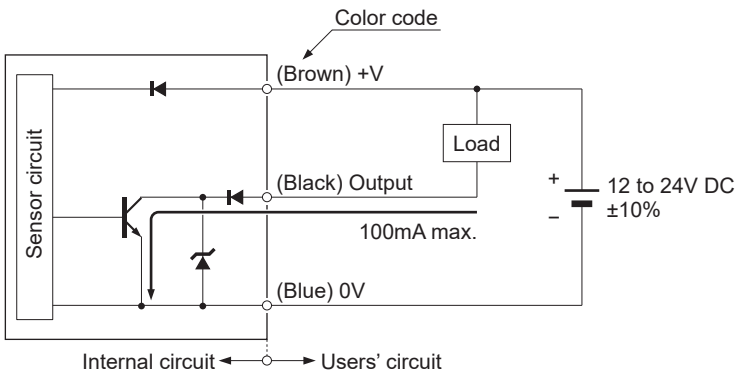
Note: The thru-beam type sensor emitter does not incorporate the output..

EX-11□-PN, EX-13□-PN, EX-19□-PN, EX-14□-PN



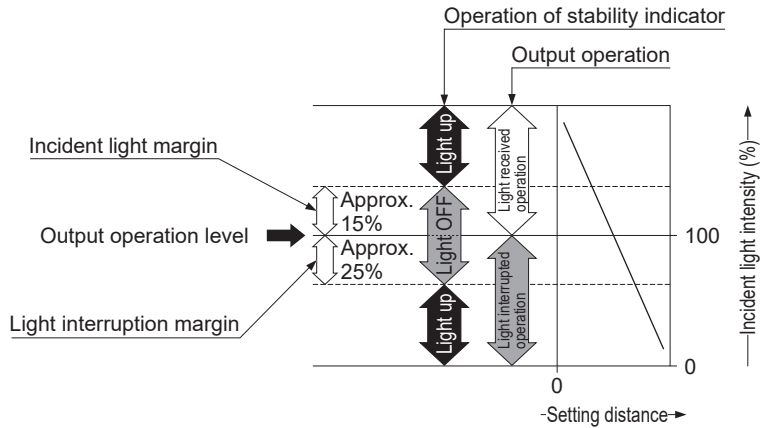
Note: The thru-beam type sensor emitter does not incorporate the output..

EX-15□, EX-17□



9. Stability Indicator

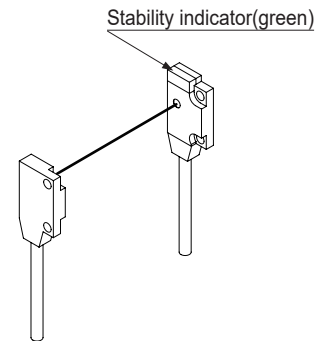
- The stability indicator (green) lights up when the incident light intensity has sufficient margin with respect to the operation level. Incident light intensity level is such that the stability indicator light up, stable sensing can be done without the light received operation and the light interrupted operation being affected by a change in ambient temperature or supply voltage.



10. Beam alignment

Thru-beam type: EX-11□, EX-13□, EX-19□, EX-15□, EX-17□
EX-11S□, EX-13S□, EX-19S□

- Place the emitter and the receiver face to face along a straight line, move the emitter in the up, down, left and right directions, in order to determine the range of the light received condition with the help of the operation indicator (orange). Then, set the emitter at the center of this range.(Note 1)
- Similarly, adjust for up, down, left and right angular movement of the emitter.
- Further, perform the angular adjustment for the receiver also.
- Check that the stability indicator (green) lights up. (Note 2)



(Note1) : When using the narrow beam type EX-1□S□, if the beam axes are out of alignment, check to see if the emitter and the receiver are facing each other in a straight line.

(Note2) : In case of EX-15 / 17, adjust the beam axis after turn the operation mode switch to "L-ON". After it, switch the operation mode by adopting the operation.

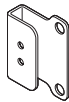
11. Option

11-1 Slit Mask (optional)

- Apply the optional slit mask **OS-EX10-□** when detecting small objects or for increasing the accuracy of sensing position.
However, the sensing range is reduced when the slit mask is mounted.

Type	Model No.		Slit size	Sensing distance		Minimal sensing object	
	Slit	Sensor		Applying on one side	Applying on both side	Applying on one side	Applying on both side
Slit	OS-EX10-12	EX-19□	ø1.2mm	600mm	400mm	ø2mm	ø1.2mm
		EX-13□		250mm	200mm	ø2mm	ø1.2mm
		EX-17□		800mm	500mm	ø2mm	ø1.5mm
	OS-EX10-15	EX-19□	ø1.5mm	350mm	300mm	ø2mm	ø1.5mm
		EX-13□		250mm	200mm	ø2mm	ø1.2mm
	OS-EX10E-12	EX-13E□ EX-17E□	ø1.2mm	250mm	200mm	ø2mm	ø1.2mm

OS-EX10-12
OS-EX10-15

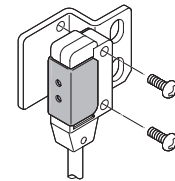


OS-EX10E-12



Mounting method

1. Insert the sensor into the slit.
2. Mount it to mounting plate. Make sure that the tightening torque is 0.2N·m or less.



Tightening together with mounting plate

11-2 Sensor mounting bracket (optional)

- The sensor bracket is an object for standard-beam type. It cannot be used for narrow-beam type.

Type	Model No.	Description
Sensor mounting bracket	MS-EX10-1	For front sensing type (Thru-beam type needs 2 sets.) Material: SPCC (Uni-chrome plated) • Two M2 (length 4mm) pan head screw are attached.
	MS-EX10-2	For Side sensing type (Thru-beam type needs 2 sets.) Material: SPCC (Uni-chrome plated) • Two M2 (length 8mm) pan head screw are attached.
	MS-EX10-3	L-form mounting bracket (Thru-beam type needs 2 sets.) Material: SPCC (Uni-chrome plated) • Two M2 (length 4mm) and Two M2 (length 8mm) pan head screw are attached.
	MS-EX10-11	For front sensing type (Thru-beam type needs 2 sets.) Material: SUS304 • Two M2 (length 4mm) pan head screw are attached.
	MS-EX10-12	For Side sensing type (Thru-beam type needs 2 sets.) Material: SUS304 • Two M2 (length 8mm) pan head screw are attached.
	MS-EX10-13	L-form mounting bracket (Thru-beam type needs 2 sets.) Material: SUS304 • Two M2 (length 4mm) and Two M2 (length 8mm) pan head screw are attached.

(Note) : Regarding the mounting image, refer to P11. Regarding the external dimensions, refer to P28 & 29.

12. Specifications

12-1 Standard-beam type

Type		Thru-beam type						Convergent reflective (Diffused beam type)	
		Front sensing	Side sensing	Front sensing	Side sensing	Front sensing	Side sensing	Front sensing	
Model No (Note 2)	Light-ON	EX-11A (-PN)	EX-11EA (-PN)	EX-13A (-PN)	EX-13EA (-PN)	EX-19A (-PN)	EX-19EA (-PN)	EX-14A (-PN)	
	Dark-ON	EX-11B (-PN)	EX-11EB (-PN)	EX-13B (-PN)	EX-13EB (-PN)	EX-19B (-PN)	EX-19EB (-PN)	EX-14B (-PN)	
Sensing range		150mm		500mm		1m		2 to 25mm (Note 3) (Center 10mm)	
Minimum sensing object		ø1mm opaque object (Completely beam interrupted object) (Setting distance between emitter and receiver: 150mm)		ø2mm opaque object (Completely beam interrupted object) (Setting distance between emitter and receiver: 500mm)		ø2mm opaque object (Completely beam interrupted object) (Setting distance between emitter and receiver: 1m)		ø0.1mm copper wire (Setting distance: 10mm)	
Hysteresis		—						15 % or less of operation distance (Note 3)	
Repeatability (Perpendicular to sensing axis)		0.05mm or less						0.1mm or less	
Supply voltage		12 to 24V DC ±10% Ripple P-P 10% or less							
Current consumption		Emitter: 10mA or less, Receiver: 10mA or less						13mA or less	
Output		<NPN output type> NPN open-collector transistor <ul style="list-style-type: none"> • Maximum sink current: 50mA • Applied voltage: 30 V DC or less (between output and 0V) • Residual voltage: 2V or less (at 50mA sink current) 1V or less (at 16mA sink current) 			<PNP output type> PNP open-collector transistor <ul style="list-style-type: none"> • Maximum source current: 50mA • Applied voltage: 30 V DC or less (between output and +V) • Residual voltage: 2V or less (at 50mA source current) 1V or less (at 16mA source current) 				
Short-circuit protection		Incorporated							
Response time		0.5 ms or less							
Pollution degree		3							
Protection		IP67 (IEC)							
Ambient temperature		-25 to +55°C (No dew condensation or icing allowed), Storage: -30 to +70°C							
Ambient humidity		35 to 85 % RH, Storage: 35 to 85% RH							
Operating altitude		2,000 m or less							
Emitting element		Red LED (Peak emission wavelength : EX-19E=624nm, except EX-19E= 680nm, modulated)							
Material		Enclosure: Polyallylate, Lens: Polyallylate							
Cable (Note 4)		0.1mm ² 3-core (thru-beam type emitter: 2-core) cabtyre cable, 2 m long							
Weight	Net weight	Emitter, receiver: Approx. 20 g each(-C5 type : Approx.50 g each)						Approx.20g (-C5 type : Approx 50g)	
	Gross weight	Approx.50g(-C5 type : Approx.110 g)						Approx.30g (-C5 type : Approx 60g)	
Accessories		Mounting screws: 1 set, Instruction Manual							

Type	Thru-beam · with operation mode switch on bifurcation			
	Front sensing	Side sensing	Front sensing	Side sensing
Model No. (Note 2)	EX-15 (Note 5)	EX-15E	EX-17	EX-17E
Sensing range	150mm		500mm	
Minimum sensing object	ø1 mm opaque object (Completely beam interrupted object) (Setting distance between emitter and receiver: 150mm)		ø2 mm opaque object (Completely beam interrupted object) (Setting distance between emitter and receiver: 500mm)	
Hysteresis	-			
Repeatability Perpendicular to sensing axis	0.05mm or less			
Supply voltage	12 to 24 V DC ±10 % Ripple P-P10 % or less			
Current consumption	25mA or less			
Output	NPN open-collector transistor <ul style="list-style-type: none"> • Maximum sink current: 100 mA • Applied voltage: 30V DC or less (between output and 0 V) Residual voltage: 2V or less (at 100mA sink current) 1V or less (at 16mA sink current) 			
Short-circuit protection	Incorporated			
Response time	0.5ms or less			
Protection	IP67 (IEC)			
Ambient temperature	-25 to +55°C (No dew condensation or icing allowed), Storage: -30 to +70°C			
Ambient humidity	35 to 85% RH, Storage: 35 to 85% RH			
Emitting element	Red LED (Peak emission wavelength: 680nm, modulated)			
Material	Enclosure: Polyethylene terephthalate, Lens: Polyallylate, Bifurcation: Polyallylate			
Cable	0.2 mm ² 3-core cabtyre cable, 2m long (beyond bifurcation; from emitter / receiver to bifurcation: 0.5m long)			
Wight	Net weight	55g approx		
	Gross weight	80g approx.		
Accessory	Mounting screws: 1 set, Adjusting screwdriver: 1 pc, Instruction Manual			

12-2 Narrow-beam type

Type		Thru-beam type				
		Front sensing	Side sensing	Front sensing	Side sensing	Front sensing
Model No (Note 2)	Light-ON	EX-11SA (-PN)	EX-11SEA (-PN)	EX-13SA (-PN)	EX-13SEA (-PN)	EX-19SA (-PN)
	Dark-ON	EX-11SB (-PN)	EX-11SEB (-PN)	EX-13SB (-PN)	EX-13SEB (-PN)	EX-19SB (-PN)
Sensing range		150mm		500mm		1m
Minimum sensing object		ø0.5mm opaque object (Completely beam interrupted object) (Setting distance between emitter and receiver: 150mm)	ø1mm opaque object (Completely beam interrupted object) (Setting distance between emitter and receiver: 150mm)	ø1mm opaque object (Completely beam interrupted object) (Setting distance between emitter and receiver: 500mm)	ø2mm opaque object (Completely beam interrupted object) (Setting distance between emitter and receiver: 500mm)	ø2mm opaque object (Completely beam interrupted object) (Setting distance between emitter and receiver: 1m)
Hysteresis		—				
Repeatability (Perpendicular to sensing axis)		0.05mm or less				
Supply voltage		12 to 24V DC ±10% Ripple P-P 10% or less				
Current consumption		Emitter: 10mA or less, Receiver: 10mA or less				
Output		<NPN output type> NPN open-collector transistor			<PNP output type> PNP open-collector transistor	
		<ul style="list-style-type: none"> ● Maximum sink current: 50mA ● Applied voltage: 30 V DC or less (between output and 0V) ● Residual voltage: 2V or less (at 50mA sink current) 1V or less (at 16mA sink current) 			<ul style="list-style-type: none"> ● Maximum source current: 50mA ● Applied voltage: 30 V DC or less (between output and +V) ● Residual voltage: 2V or less (at 50mA source current) 1V or less (at 16mA source current) 	
Short-circuit protection		Incorporated				
Response time		0.5 ms or less				
Pollution degree		3				
Protection		IP67 (IEC)				
Ambient temperature		-25 to +55°C (No dew condensation or icing allowed), Storage: -30 to +70°C				
Ambient humidity		35 to 85 % RH, Storage: 35 to 85% RH				
Operating altitude		2,000 m or less				
Emitting element		Red LED (Peak emission wavelength : 650nm, modulated)				
Material		Enclosure: Polyallylate, Lens: Polyallylate				
Cable (Note 4)		0.1mm ² 3-core (thru-beam type emitter: 2-core) cabtyre cable, 2 m long				
Weight	Net weight	Emitter, receiver: Approx. 20 g each				
	Gross weight	Approx. 50g				
Accessories		Mounting screws: 1 set, Instruction Manual				

- Notes:
- 1) Where measurement conditions have not been specified precisely, the conditions used were an ambient temperature of +23°C.
 - 2) The model No. with suffix "P" shown on the label affixed to the thru-beam type sensor is the emitter, "D" shown on the label is the receiver.
(EX) Emitter of **EX-11A**: **EX-11P**, Receiver of **EX-11A**: **EX-11AD**
Model Nos. having suffix "-R" are inflection resistant cable type. (except PNP output type, Narrow-beam type and Thru-beam type with operation mode switch on bifurcation **EX-15□** / **17□**)
(EX) **EX-11A** of inflection resistant cable type is "**EX-11A-R**"
Model Nos. having the suffix "-C5" are 5m cable length type. (except PNP output type, Narrow-beam type and inflection resistant cable type)
(EX) **EX-11A** of 5m cable length type is "**EX-11A-C5**"
 - 3) The sensing range and the hysteresis of convergent reflective type sensor are specified for white non-glossy paper (50 × 50 mm) as the object.
 - 4) The inflection resistant type (having suffix "-R" at end of model No.) has a 0.1mm² 3-core (thru-beam type emitter: 2-core) inflection resistant cabtyre cable, 2m long.
 - 5) Either Light-ON or Dark-ON can be selected by the operation mode switch (located on the bifurcation).

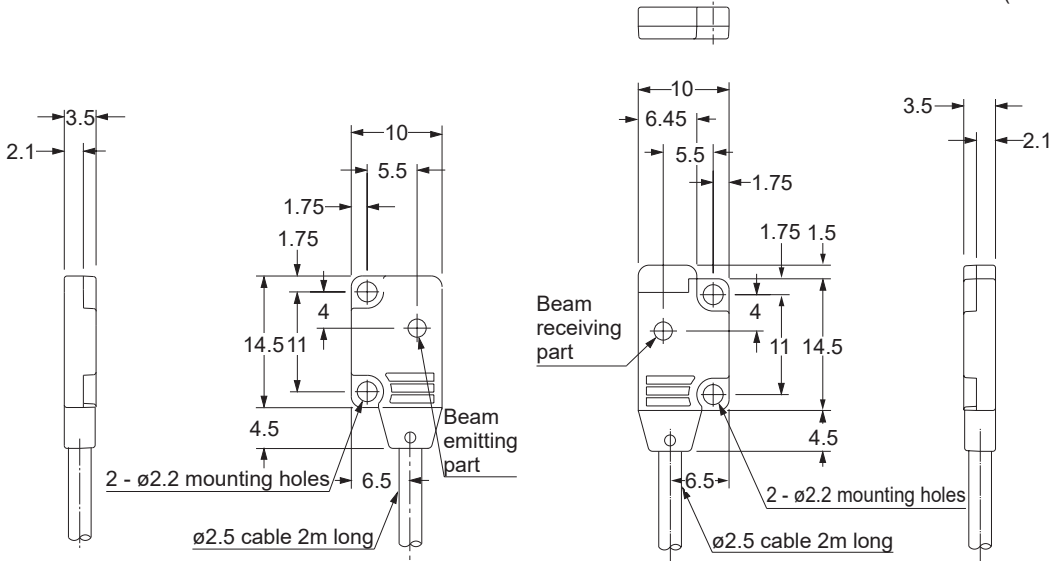
13. Dimensions

Thru-beam front sensing type: EX-11□, EX-13□, EX-19□, EX-11S□, EX-13S□, EX-19S□

<Emitter>

<Receiver>

(Unit: mm)

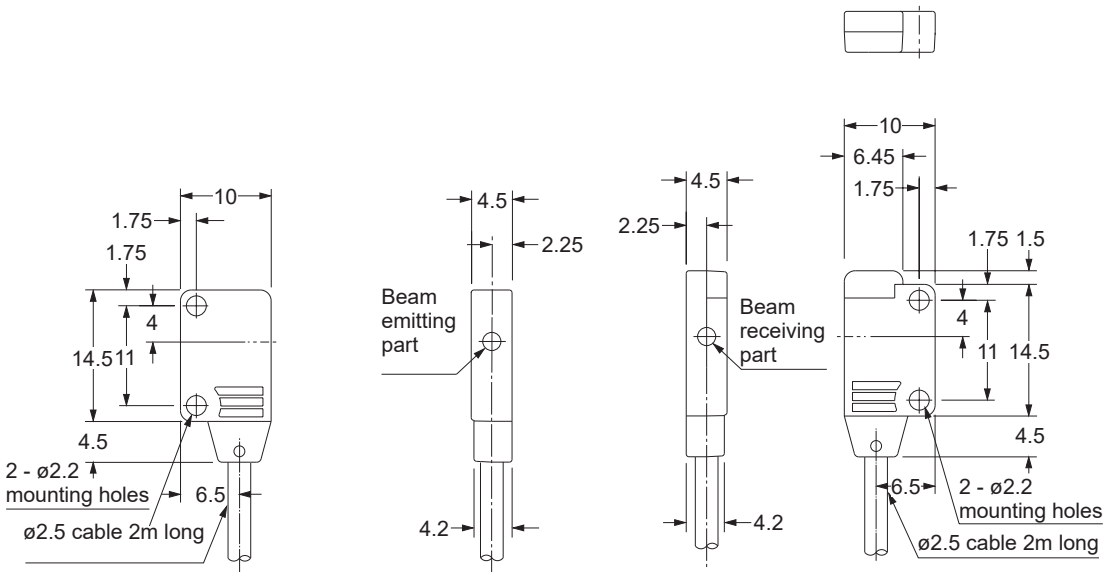


Thru-beam side sensing type: EX-11E□, EX-13E□, EX-19E□, EX-11SE□, EX-13SE□

<Emitter>

<Receiver>

(Unit: mm)

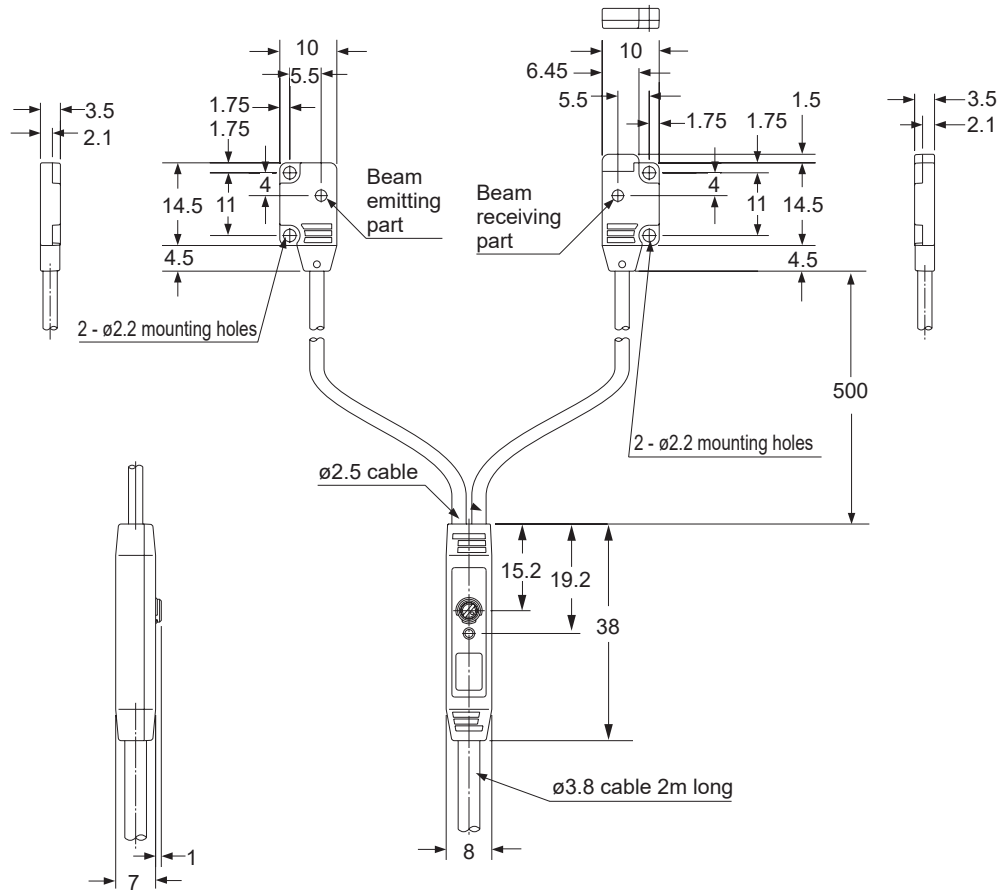


Thru-beam front sensing type with operation mode switch on bifurcation: EX-15, EX-17

<Emitter>

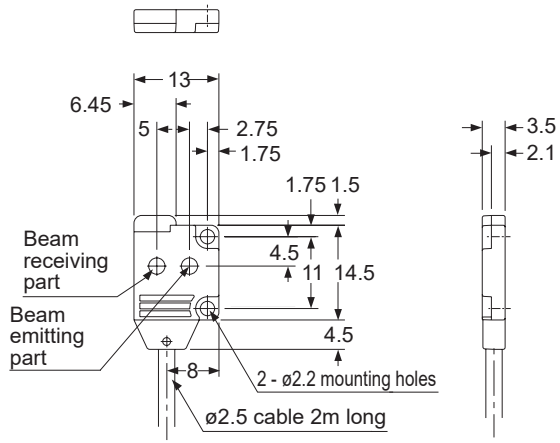
<Receiver>

(Unit: mm)



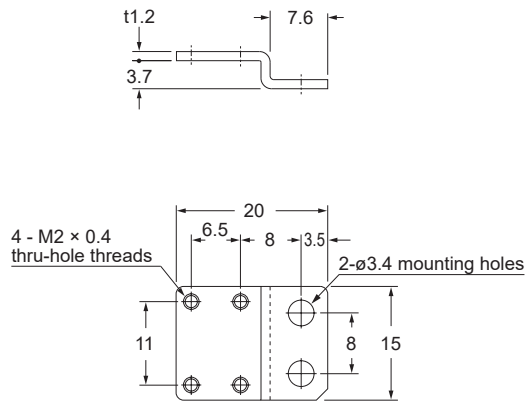
Convergent reflective: EX-14

(Unit: mm)



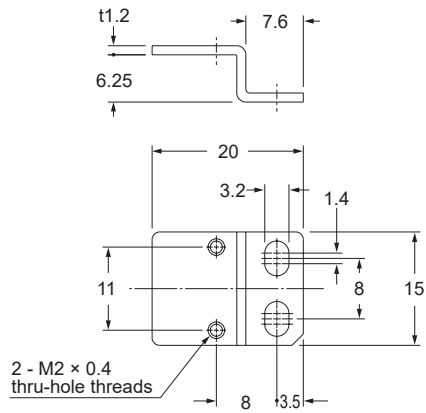
Mounting bracket: MS-EX10-1

(Unit: mm)



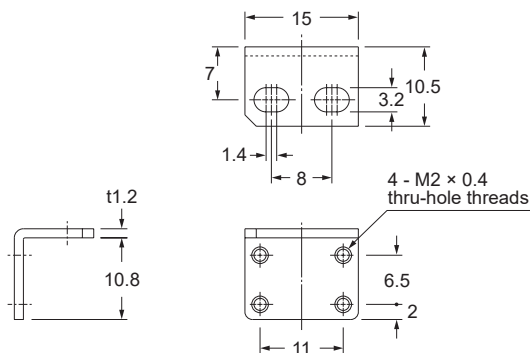
Mounting bracket: MS-EX10-2

(Unit: mm)



Mounting bracket: MS-EX10-3

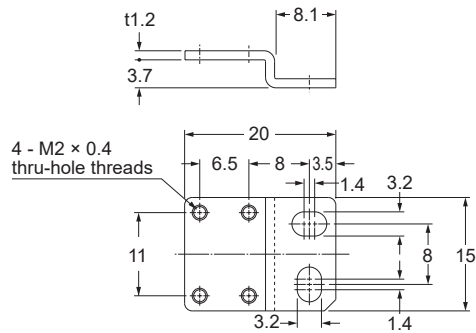
(Unit: mm)



(Note): The sensor bracket is an object for standard-beam type. It cannot be used for narrow-beam type.

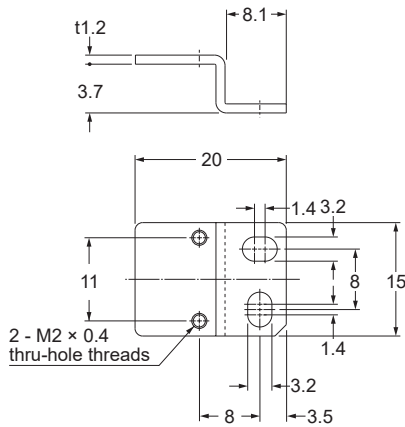
Mounting bracket: MS-EX10-11

(Unit: mm)



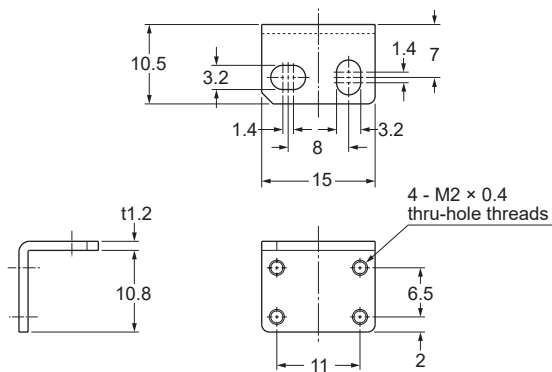
Mounting bracket: MS-EX10-12

(Unit: mm)



Mounting bracket: MS-EX10-13

(Unit: mm)



(Note):The sensor bracket is an object for satandard-beam type. It cannot be used for narrow-beam type.

14. When Using for Safety Applications

The EX-10 series (EX-11□ / EX-13□ / EX-19□ / EX-14□) conforms to Safety Category 1, PLc (ISO 13849-1) and can be used as a detection device to indirectly protect the human body. Please read the following information for the correct usage of this product.

14-1 Safety Precautions Always observe

Specifications

- This device conforms to Safety Category 1, PLc (ISO 13849-1) and can be used as a detection device to indirectly protect the human body.
- Before using this product, be sure to confirm the standards / regulations applied in the relevant nation and region.
- When using this product as part of a safety system, connect it to a safety controller that conforms to related standards.
- Parts or all of a human form may not be detected. This product must only be used for indirect protection methods.
- Objects within the deadband region or outside of the detection area, and transparent objects cannot be detected.

Power supply

- Be sure to use a SELV (Safety Extra Low Voltage) power supply unit with this device.

Wiring

- All electrical wiring should conform to the regional electrical regulations and laws. The wiring should be done by engineer(s) having the special electrical knowledge.
- Power supply and output wires for connecting to this device should be 0.3 mm² or greater with a total length of less than 30 m.

Operation

- In case this device does not perform properly, the operator should report this to the person in charge and stop the machine operation immediately. The machine must not be operated until correct performance of this device has been confirmed.

Other precautions

- This product has been developed and manufactured for industrial use only. This product must be disposed of using environmentally-friendly methods in accordance with applicable disposal and processing regulations of the country it is used in.

14-2 Safety Functions

This product has semiconductor output. Confirm the following before use.

- When using Light-ON:
Output is ON when light is detected, and OFF when there is absence of light.
- When using Light-OFF:
Output is OFF when light is detected, and ON when there is absence of light.

14-3 Safety Standards and Regulations

14-3-1 Parameters related to safety (Parameters described in ISO13849-1)

- Safety side: Sensing (Thru-beam type: dark detected / Convergent reflective type: light detected)

Name	Thru-beam type				Convergent reflective type			
	NPN Output		PNP Output		NPN Output		PNP Output	
	A Type	B Type	A Type	B Type	A Type	B Type	A Type	B Type
Safety side: Output status	OFF	ON	OFF	ON	ON	OFF	ON	OFF
MTTFd (Mean Time to Dangerous Failure)	100 years or more							
DCavg (Average Diagnostic Coverage)	0							
CCF (Common Cause Failure)	75							
T1 (proof test interval)	20 years							
Operating altitude	2,000 m or less							
Response time	0.5 ms or less							
Ambient operating temperature	-25 to +55°C (No condensation or icing), Storage: -30 to +70°C							

- Safety side: Non-sensing (Thru-beam type: light detected / Convergent reflective type: non light detected)

Name	Thru-beam type				Convergent reflective type			
	NPN Output		PNP Output		NPN Output		PNP Output	
	A Type	B Type	A Type	B Type	A Type	B Type	A Type	B Type
Safety side: Output status	ON	OFF	ON	OFF	OFF	ON	OFF	ON
MTTFd (Mean Time to Dangerous Failure)	100 years or more							
DCavg (Average Diagnostic Coverage)	0							
CCF (Common Cause Failure)	75							
T1 (proof test interval)	20 years							
Operating altitude	2,000 m or less							
Response time	0.5 ms or less							
Ambient operating temperature	-25 to +55°C (No condensation or icing), Storage: -30 to +70°C							

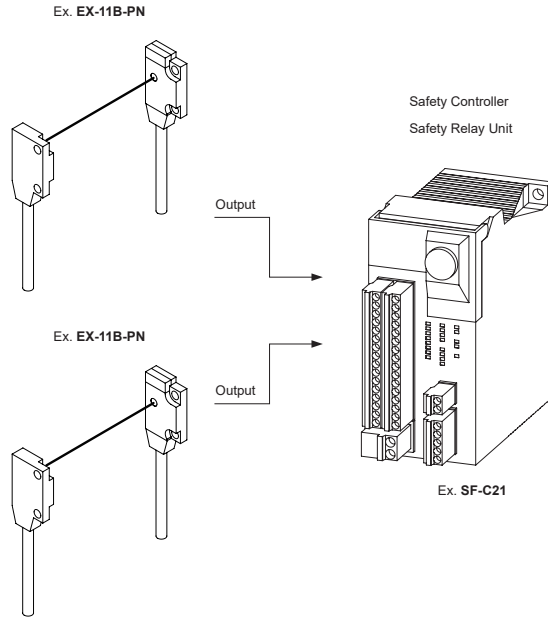
14-3-2 Cautions when using in a ISO13849-1 Category 3 PLd system

This product has been certified for use together with a Category 4 PLe safety controller / safety relay unit, which means it fulfills the requirements of Category 3 PLd. When using in this way, be sure to use two sensors in a sensor redundancy configuration.

To prevent loss of safety functionality due to accumulation of faults, build a control system with two redundant outputs which will stop the whole system when a discrepancy of output is detected.

Furthermore, before use, confirm that the calculated results of MTTFd and DCavg fulfill the requirements for Category 3, PLd.

■ Connection Example



14-4 Maintenance

14-4-1 Daily Inspection

⚠ WARNING	
Before starting work, the worker should inspect the following items and verify that there are no abnormalities. Operating this device without performing the inspection or without removing the abnormal condition may cause death or serious injury.	

Checklist (daily inspection)

Check column	Inspection item
<input type="checkbox"/>	The output of this product should operate correctly as follows. (When using Light-ON) Output is ON when light is detected, and OFF when there is absence of light. (When using Light-OFF) Output is OFF when light is detected, and ON when there is absence of light.
<input type="checkbox"/>	No objects are added that create ambient or reflected light
<input type="checkbox"/>	No damage to safety fences or protective structures

14-4-2 Regular (Bi-annual) Inspection

⚠ WARNING	
Inspect the following items every 6 months and verify that there are no abnormalities. Operating this device without performing the inspection or without removing the abnormal condition may cause death or serious injury.	

Checklist (periodic inspection)

Check column	Inspection item
<input type="checkbox"/>	The structure of the machine does not prevent any safety mechanisms from causing the machine to stop or to make an emergency stop.
<input type="checkbox"/>	No modification has been made in the machine control system that obstructs the safety mechanisms.
<input type="checkbox"/>	Wiring from this device has been performed correctly.
<input type="checkbox"/>	No screws or connectors related to the device are loose.
<input type="checkbox"/>	The current number of operation cycles (time) of parts (such as relays) with a limited service life is less than the number of service life cycles (time).

14-4-3 Inspection Upon Product Replacement or Adjustment of the Beam Axis

⚠ WARNING	
Before starting work, the worker should inspect the following items and verify that there are no abnormalities. Operating this device without performing the inspection or without removing the abnormal condition may cause death or serious injury.	

Inspection list (inspection upon product replacement/installation)

Check column	Inspection item
<input type="checkbox"/>	Output from the device can be detected correctly
<input type="checkbox"/>	Wiring from this device has been performed correctly.
<input type="checkbox"/>	No screws or connectors related to the device are loose.

14-5 Troubleshooting

Solutions to frequently encountered problems and errors are described below.

Problem	Cause	Corrective action
All operation indicators are OFF	Proper voltage is not supplied from the power supply.	Check the supplied voltage of the power supply. [Reference] "12. Specifications" on Page 21
	There is a mistake in the wiring.	Check the wiring. [Reference] "8. I/O Circuit Diagram" on Page 18
Output does not turn ON	The beam axis is not aligned.	Perform beam axis adjustment. [Reference] "10. Beam alignment" on Page 19

Revision history	Revision date	Revision item
1st edition	—	—
2nd edition	—	—
3rd edition	—	—
4th edition	—	—
5th edition	2021/12	Added descriptions of safety certification

Please contact

Panasonic Corporation

Panasonic Industrial Devices SUNX Co., Ltd.
<https://panasonic.net/id/pidsx/global>

Please visit our website for inquiries and about our sales network.

© Panasonic Industrial Devices SUNX Co., Ltd. 2021
December, 2021 PRINTED IN JAPAN WUME-EX10-5