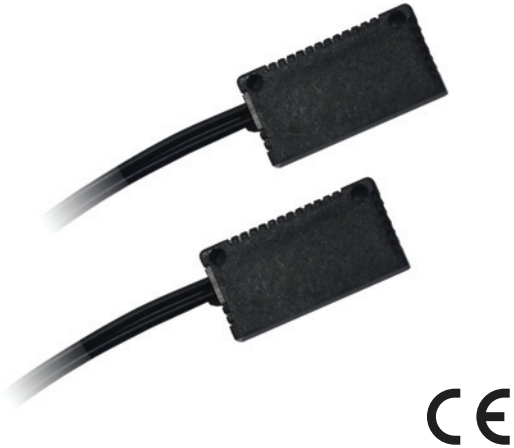


Optical Fiber Sensor Cable

FOC-A



SALIENT FEATURES

- ◆ 5 ~ 46mm
- ◆ Linear Array
- ◆ Low Attenuation
- ◆ Accurate Fiber Pitch Position
- ◆ Low Insertion Loss
- ◆ Upto 500mm Sensing

Model Number Legend

FOC-A-□□□-□

1
2
3
4
5
6

1. Series

FOC

2. Head Type

A: Fiber Array

3. Sensor Type

T: Through Beam

D: Diffuse Reflective

4. Housing

P: Plastic

M: Metal

5. Array Height

5: 5mm

11: 11mm

25: 25mm

46: 46mm

6. Fiber Length

1M: 1m Fiber Cable

2M: 2m Fiber Cable

Example:

FOC-A-TP25-2M

FOC Series - Array Type, Through-beam - Plastic Housing, 25mm Sensing Array Height - 2m Cable

NOTE: Contact us for models not shown in catalogue.

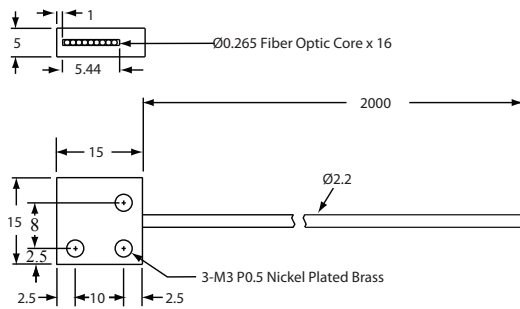
Ratings and Specifications

Sensing Type		Through Beam				Diffuse Reflective	
Models		FOC-A-T_5-_	FOC-A-T_11-_	FOC-A-T_25-_	FOC-A-T_46-_	FOC-A-D_25-_	FOC-A-D_46-_
Fiber Dia.	Inner Dia.	Ø0.265 x 16	Ø0.25 x 32	Ø0.25 x 32	Ø0.25 x 32	Ø0.265 x 16	Ø0.265 x 16
	Outer Dia.	Ø2.2	Ø2.8	Ø2.8	Ø2.8	Ø0.265 x 16	Ø0.265 x 16
Array Height		5mm	11mm	25mm	46mm	25mm	46mm
Sensing Distance		400mm	500mm	300mm	300mm	70mm	70mm
Size		M3, M4, M6					
Minimum Bending Radius		R25 / R15					
Fiber Material		Plastic (PVC coating)					
Operating Temperature		Operation: -55° ~ +70°C					

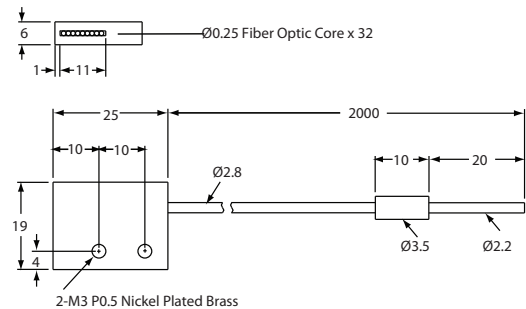
Sensor Dimension Drawing

All dimensions are in mm

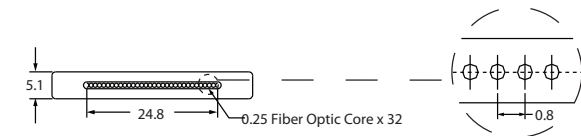
FOC-A-T_5-2M



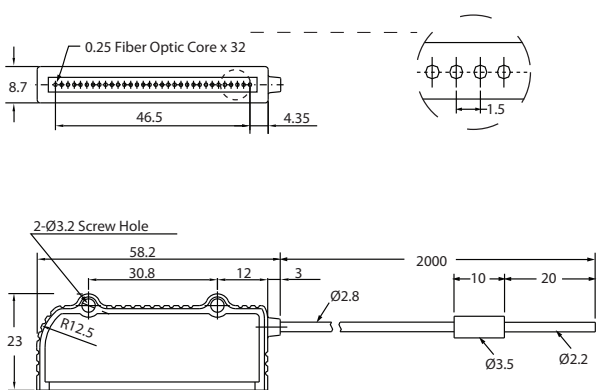
FOC-A-T_11-2M



FOC-A-T_25-2M



FOC-A-T_46-2M

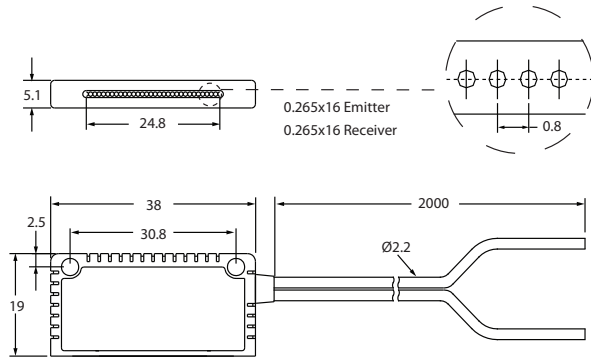


Sensor Dimension Drawing

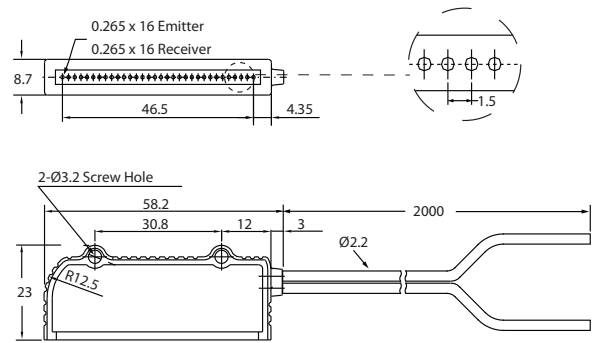
FOC-A

All dimensions are in mm

FOC-A-D_25-2M



FOC-A-D_46-2M



Proximity Sensors

Photoelectric Sensors

Measurement Sensors

Vision & Safety Sensors

Control

Weighing

Automation

Components

Cat. No. FOC-A-515

Exclusively Represented by:

Intech Systems Chennai Pvt Ltd
 S-2, Guindy Industrial Estate
 Chennai - 600 032. Ph: 4353 8888
 Email: info@intechchennai.com

www.inno.sg

© INNO, Rights Reserved
 In the interest of continuous product improvement
 specifications are subject to change without notice