

Manually Set Fiber Sensor

FX-311 SERIES



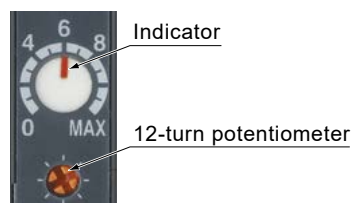
FX-311 SERIES



Highly sensitive manual tuning made easy

12-turn potentiometer with visible indicator

12-turn potentiometer has been incorporated for fine adjustments. It enables detection of very fine differences. Moreover, since the pointer of indicator has a red backlight, you can confirm the position at a glance, even in a dark area.



Long life and reduced maintenance work-hours

The light-emitting elements of conventional fiber sensors are affected by temperature and long-term use, changing their emission over time and requiring sensitivity readjustment. **FX-311** (Red LED type) employs the new "four-chemical LED", first used in the **FX-301** (red LED type).

This emitter greatly reduces adverse influences on emission performance, resulting in stable operation that almost never needs adjustment.

Rapid flashing "assist function" eases adjustment for optimum sensitivity

The **FX-311** series has a convenient built-in "assist function" which indicates the optimum sensitivity position by flashing rapidly when optimum sensitivity is reached. This enables easy and reliable sensitivity adjustment, which is convenient for a narrow sensing range requiring fine tuning.

* In order enable the "assist function", switch the operation selection switch from **L-ON**→**D-ON**→**L-ON** .

1 Find the point (A) where the sensor is switched ON in the sensing (beam received) condition

Sensing method Sensing (beam received) condition

The pointer flashes once at point (A)

In the non-sensing (beam not received) condition, turn the adjuster until ON state again, turn the adjuster counterclockwise and find the point (B) where it is switched OFF

2 **Sensing method** Non-sensing (beam not received) condition

Confirm operation indicator lights up

The pointer flashes twice at point (B)


3 Optimum sensitivity point located

Sensing range

The pointer flashes faster at optimum sensitivity

ORDER GUIDE

Amplifiers Quick-connection cable is not supplied with the amplifier. Please order it separately.

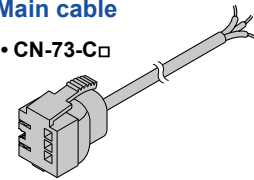
Type	Appearance	Model No.	Emitting element	Output	
Manually set		FX-311	Red LED	NPN open-collector transistor	
		FX-311B	Blue LED		
		FX-311G	Green LED		
		PNP output	FX-311P	Red LED	PNP open-collector transistor
			FX-311BP	Blue LED	
			FX-311GP	Green LED	

Quick-connection cables Quick-connection cable is not supplied with the amplifier. Please order it separately.

Type	Model No.	Description	
Main cable (3-core)	CN-73-C1	Length: 1 m 3.281 ft	0.2 mm ² 3-core cabtyre cable, with connector on one end Cable outer diameter: \varnothing 3.3 mm \varnothing 0.130 in
	CN-73-C2	Length: 2 m 6.562 ft	
	CN-73-C5	Length: 5 m 16.404 ft	
Sub cable (1-core)	CN-71-C1	Length: 1 m 3.281 ft	0.2 mm ² 1-core cabtyre cable, with connector on one end Cable outer diameter: \varnothing 3.3 mm \varnothing 0.130 in
	CN-71-C2	Length: 2 m 6.562 ft	
	CN-71-C5	Length: 5 m 16.404 ft	

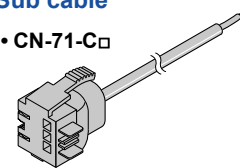
Main cable

- **CN-73-C□**

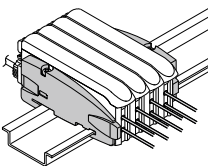


Sub cable

- **CN-71-C□**



End plates End plates are not supplied with the amplifier. Please order them separately when the amplifiers are mounted in cascade.

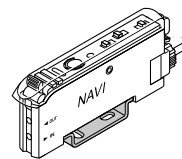
Appearance	Model No.	Description
	MS-DIN-E	When amplifiers are mounted in cascade, or when an amplifier moves depending on the way it is installed on a DIN rail, these end plates clamp amplifiers into place on both sides. Make sure to use end plates when cascading multiple amplifiers together. 2 pcs. per set

OPTIONS

Designation	Model No.	Description
Amplifier mounting bracket	MS-DIN-2	Mounting bracket for amplifier
Hand-turned knob attached cover	FX-AJ1	Hand-turned knob allows easy adjustment of sensor sensitivity.
Fiber amplifier protection seal	FX-MB1	10 sets of 2 communication window seals and 1 connector seal Communication window seal: It prevents malfunction due to transmission signal from another amplifier, as well as, prevents effect on another amplifier. Connector seal: It prevents contact of any metal, etc., with the pins of the quick-connection cable.

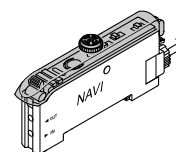
Amplifier mounting bracket

- MS-DIN-2



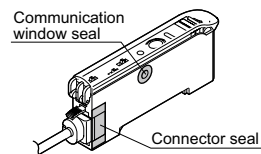
Hand-turned knob attached cover

- FX-AJ1



Fiber amplifier protection seal

- FX-MB1



LIST OF FIBERS

Refer to our website for details of each fiber.

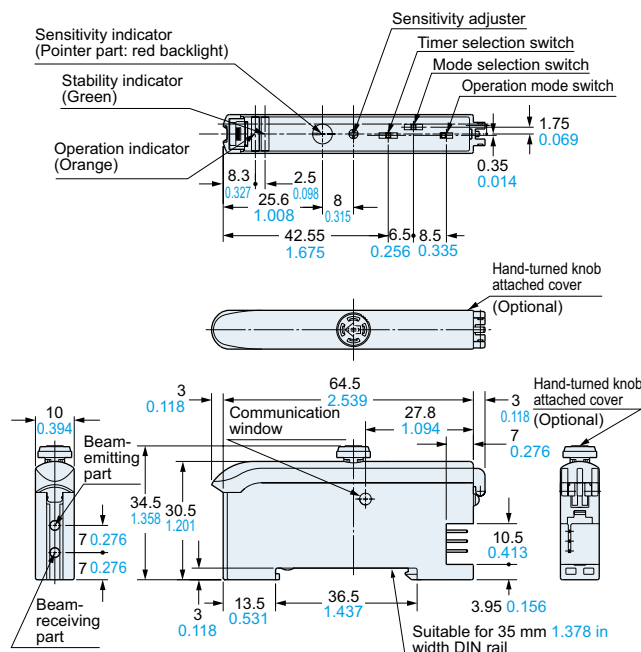
DIMENSIONS (Unit: mm in)

The CAD data can be downloaded from our website.

FX-311□ FX-311□P

Amplifier

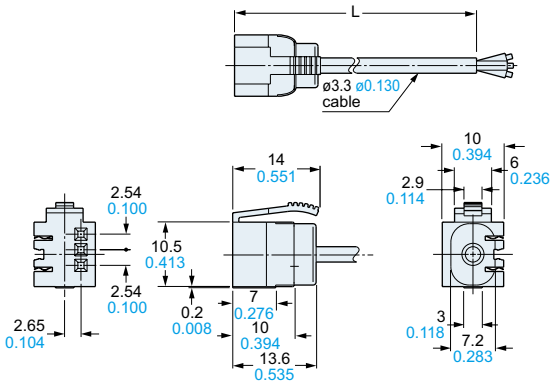
Mounting drawing with a hand-turned knob attached cover FX-AJ1 (Optional)



DIMENSIONS (Unit: mm in)

The CAD data can be downloaded from our website.

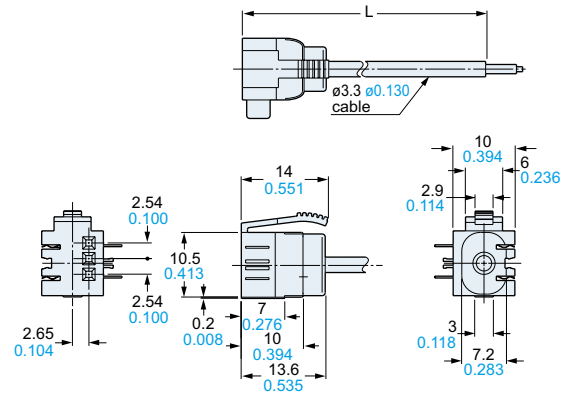
CN-73-C□ Main cable (Optional)



• Length L

Model No.	Length L
CN-73-C1	1,000 39.370
CN-73-C2	2,000 78.740
CN-73-C5	5,000 196.850

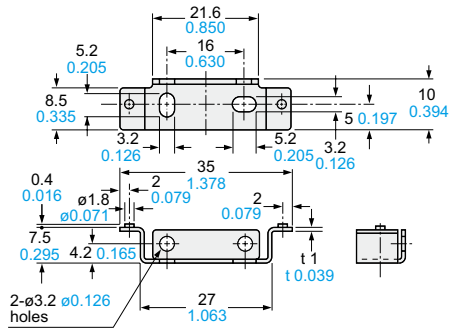
CN-71-C□ Sub cable (Optional)



• Length L

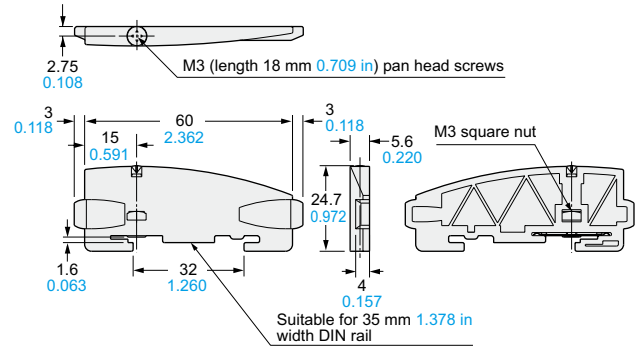
Model No.	Length L
CN-71-C1	1,000 39.370
CN-71-C2	2,000 78.740
CN-71-C5	5,000 196.850

MS-DIN-2 Amplifier mounting bracket (Optional)



Material: Cold rolled carbon steel (SPCC)
(Uni-chrome plated)

MS-DIN-E End plate (Optional)



Material: Polycarbonate

Disclaimer

The applications described in the catalog are all intended for examples only. The purchase of our products described in the catalog shall not be regarded as granting of a license to use our products in the described applications. We do NOT warrant that we have obtained some intellectual properties, such as patent rights, with respect to such applications, or that the described applications may not infringe any intellectual property rights, such as patent rights, of a third party.

Panasonic
INDUSTRY

Panasonic Industry Co., Ltd.

Industrial Device Business Division
7-1-1, Morofuku, Daito-shi, Osaka 574-0044, Japan
industrial.panasonic.com/ac/e/