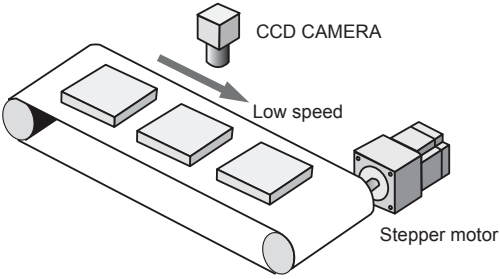
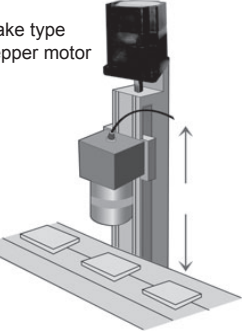
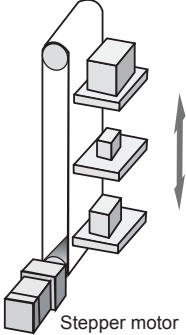
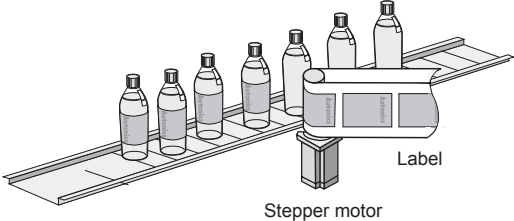
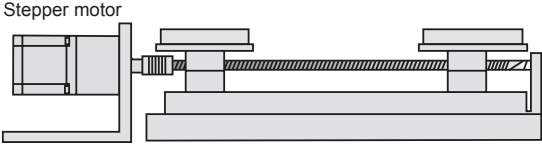
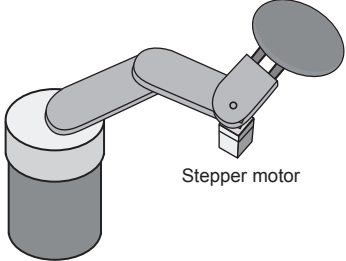
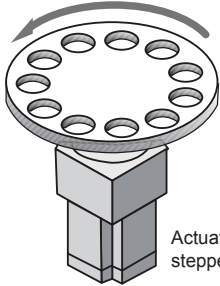
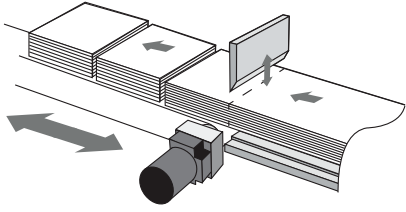


■ Applications

<p style="text-align: center;">Inspection facilities</p>  <p style="text-align: center;">Stepper motor</p>	<p style="text-align: center;">Inspection facilities</p>  <p style="text-align: center;">Brake type stepper motor</p>
<p style="text-align: center;">Belt drive</p>  <p style="text-align: center;">Stepper motor</p>	<p style="text-align: center;">Label position control in packaging machine</p>  <p style="text-align: center;">Stepper motor</p>
<p style="text-align: center;">Ball screw drive</p>  <p style="text-align: center;">Stepper motor</p>	<p style="text-align: center;">Wafer transfer robot control</p>  <p style="text-align: center;">Stepper motor</p>
<p style="text-align: center;">Index Table</p>  <p style="text-align: center;">Actuator type stepper motor</p>	<p style="text-align: center;">Cutting position control</p>  <p style="text-align: center;">Stepper motor</p>

(A) Photoelectric Sensors

(B) Fiber Optic Sensors

(C) Door/Area Sensors

(D) Proximity Sensors

(E) Pressure Sensors

(F) Rotary Encoders

(G) Connectors/
Connector Cables/
Sensor Distribution
Boxes/Sockets

(H) Temperature Controllers

(I) SSRs / Power Controllers

(J) Counters

(K) Timers

(L) Panel Meters

(M) Tacho /
Speed / Pulse
Meters

(N) Display Units

(O) Sensor Controllers

(P) Switching
Mode Power
Supplies

(Q) Stepper Motors
& Drivers
& Controllers

(R) Graphic/
Logic
Panels

(S) Field
Network
Devices

(T) Software