

MS115L Series D115mm LED Steady / Flashing Signal Light



LED Multi Signal Light
featuring two flashing patterns for diverse use.



- Newly Developed Triple-reflection System: For enhanced visibility and low power consumption.
- Enhanced Illumination: Use of long-life, super bright LED
- Semi-permanent in the self-life of light source and suitable for machines having lots of vibration and impact
- Option : Buzzer , Volume : 80dB
- Red, Yellow, Green, Blue and Clear lens available
- Energy Efficient: Low power consumption



Ordering Information

MS115L - F 0 2 - R
① ② ③

1. Light Style

F	Steady + Flashing
B	Steady + Flashing + Buzzer

2. Power Supply

02	24VAC/DC
FF	90 ~ 240VAC

3. Lens Colors

R	Red
Y	Yellow
G	Green
B	Blue
C	Clear

Specifications

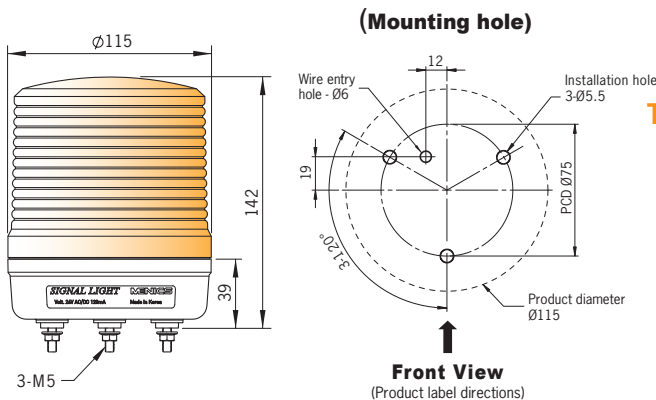
Operation/Function	Steady , Flashing , Buzzer
Power Supply	24VAC/DC , 90 ~ 240VAC (50/60 Hz)
Buzzer Sound Level	Approx. 80±5 dB (at 1M)
Lens Color	Red, Yellow, Green, Blue & Clear
Lens Diameter	115mm
Flash Rate	80 times/minute ±10%
Vibration	0.75mm at 10~55Hz
Ambient Temperature	-20 to 40°C
Storage Temperature	-20 to 70°C
Ambient Humidity	45~85% RH
Degree of Protection	IP65
Approvals	UL, RoHS
Recommended Wire Size	UL 2464, 22AWGx2C
Weight	Approx. 325g

* Specifications are subject to change without notice.

Current consumption (Maximum current consumption when LED is lit.)

Power Spec	24V	90 - 240VAC	Buzzer
Red LED	130mA	30~70mA	30mA
Yellow LED	110mA		
Green LED	250mA		
Blue LED	250mA		
White LED	285mA		

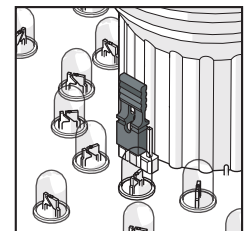
Dimensions



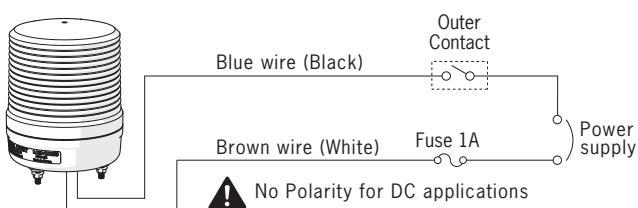
Triple Reflection system



Lights or Flashing Conversion dip Switch



Wiring Diagram

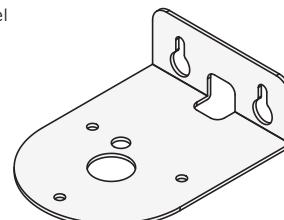


Optional Orders (unit: mm)

Wall Mount Bracket

MAM-DS29

Steel



* See page 56-58 for dimensions