

# Magnetic Switch

# PM



## SALIENT FEATURES

- ◆ IP 67 rated
- ◆ LED indication
- ◆ Shock resistant 50G
- ◆ Reed/ NPN/ PNP Output

## Model Number Legend

**PM**-□□-□

1    2 3    4

### 1. Series

PM

### 2. Type

C: C Groove  
 T: T Groove  
 M: Multi- Cylinder

### 3. Output

NO: NPN - NO  
 PO: PNP - NO  
 R: 2 wire - NO (SPST)

### 4. Connection

2M: 2m Cable  
 M12J3: M12 Junction Connector with 0.3m extension

### Example:

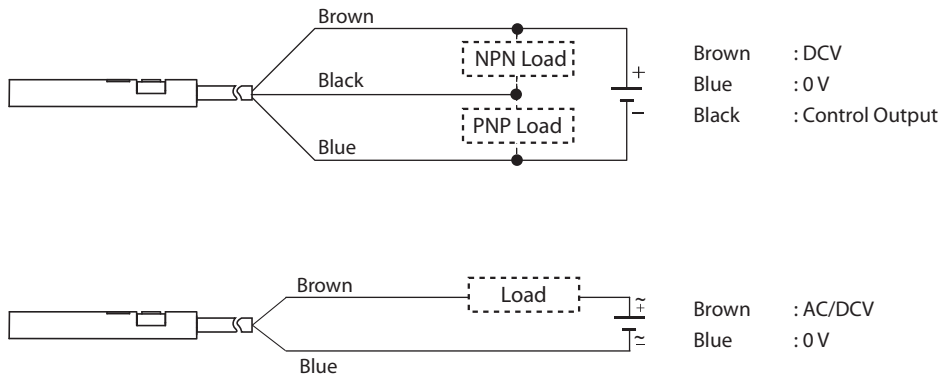
PM-MR-2M  
 PM Series, Multi- Cylinder Type, SPST NO Reed Switch Output - 2 meter Cable

**NOTE:** Contact us for models not shown in catalogue.  
 Connector cables are sold separately; look in CC series catalogue for the same ([www.inno.sg/cc](http://www.inno.sg/cc)).

Type	C Groove		T Groove		Multi-Cylinder		
Model	2 meter cable	M12 Jn. Connector with 0.3 meter cable	2 meter cable	M12 Jn. Connector with 0.3 meter cable	2 meter cable	M12 Jn. Connector with 0.3 meter cable	
Connection	Reed Switch	PM-CR-2M	PM-CR-M12J3	PM-TR-2M	PM-TR-M12J3	PM-MR-2M	PM-MR-2M
	NPN - NO	PM-CNO-2M	PM-CNO-M12J3	PM-TNO-2M	PM-TNO-M12J3	PM-MNO-2M	PM-MNO-2M
	PNP - PO	PM-CPO-2M	PM-CPO-M12J3	PM-TPO-2M	PM-TPO-M12J3	PM-MPO-2M	PM-MPO-2M
Supply Voltage	5-120V DC/AC or 5-30 VDC depending on Model		5-240V DC/AC or 10-30 VDC depending on Model		5-110V DC/AC or 10-30 VDC depending on Model		
Current Consumption	DC 3 wire: Max. 8 mA; AC/DC 2 wire: -		DC 3 wire: Max. 20 mA; AC/DC 2 wire: -				
Lekage Current	DC 3 wire: Max. 0.01mA; AC/DC 2 wire: -		DC 3 wire: Max. 0.05mA; AC/DC 2 wire: -				
Output Residual Voltage	DC 3 wire: Max. 1V; AC/DC 2 wire: Max. 3.5V		DC 3 wire: Max. 1.5 V; AC/DC 2 wire: Max. 3V				
Operation Indication	Red/Green LED		Red/Yellow LED				
Operation Frequency	200Hz		1000Hz				
Protection Circuits	DC 3 wire: Surge, Short circuit, Reverse Polarity Protection; AC/DC 2 wire: -						
Shock Resistance	30 G in X, Y, Z direction for 3 times		50 G in X, Y, Z direction for 3 times				
Ambient Temperature	Operation: -10~70° C (non-freezing; non-condensing)						
Protection Class	IP67						

## Connection

### ◆ Cable Type



### ◆ Connector Type

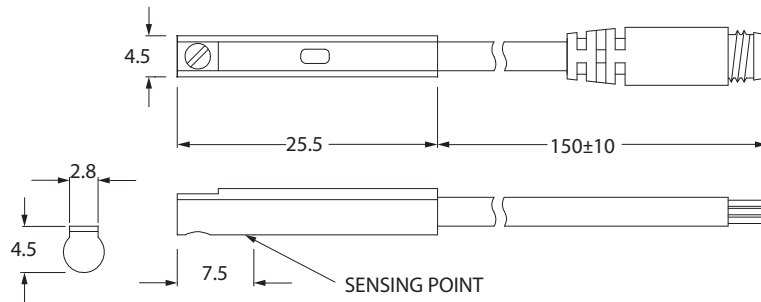


Note: Connector Cable is not supplied along with unit

# Sensor Dimension Drawing

PM

PM-CPO-2M, PM-CNO-2M  
 PM-CPO-M12J3, PM-CNO-M12J3

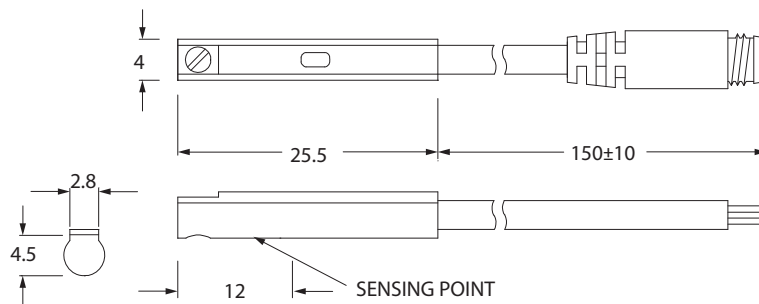


Proximity Sensors

Photoelectric Sensors

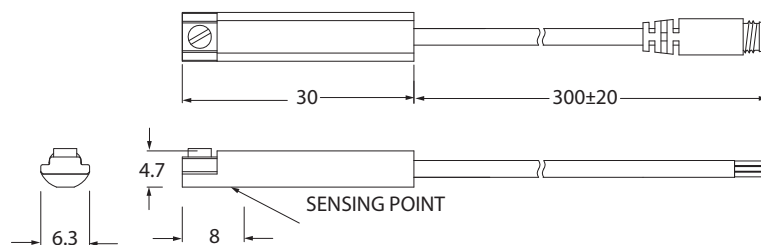
Measurement Sensors

PM-CR-2M, PM-CR-M12J3



Vision & Safety Sensors

PM-TPO-2M, PM-TNO-2M  
 PM-TPO-M12J3, PM-TO-M12J3



Control

Weighing

Automation

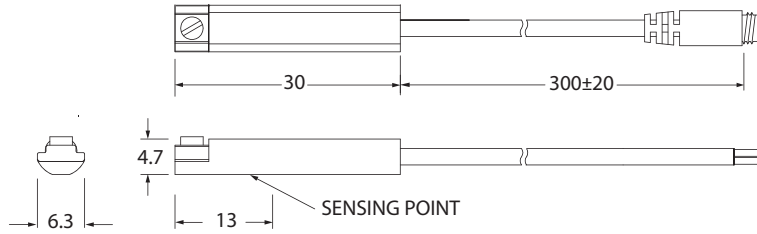
All dimensions are in mm

Components

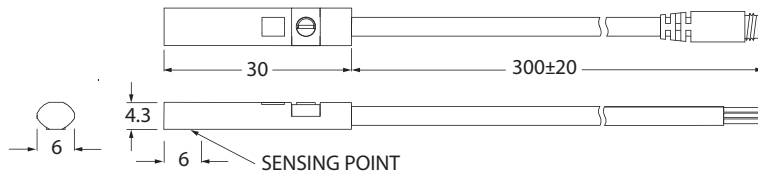
# Sensor Dimension Details

PM

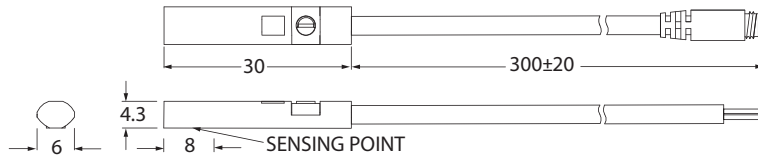
PM-TR-2M, PM-TR-M12J3



PM-MPO-2M, PM-MNO-2M  
PM-MPO-M12J3, PM-MNO-M12J3

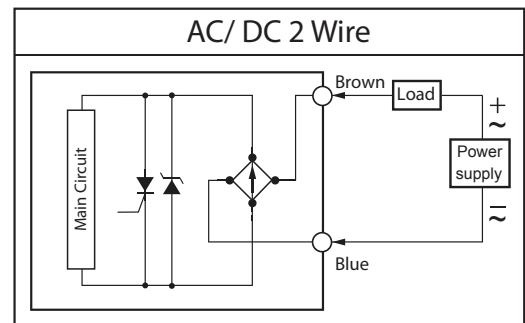
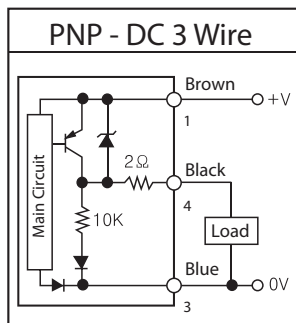
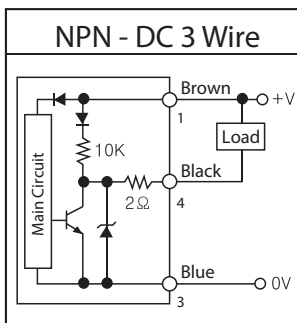


PM-MR-2M, PM-MR-M12J3



All dimensions are in mm

# Control Output Diagram

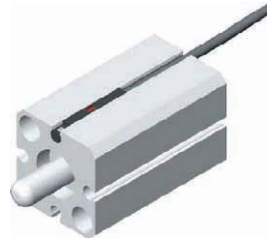
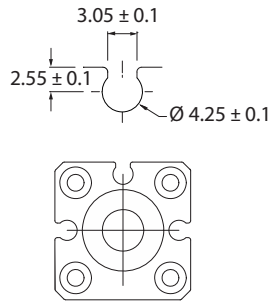


Note: 1,3 & 4 are the pin nos. for the M12 Junction Connector type models.

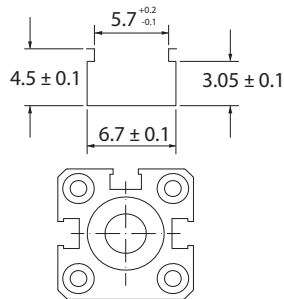
# Mounting and Adjustment

PM

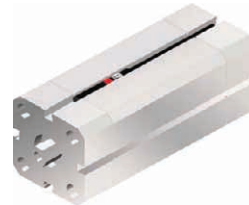
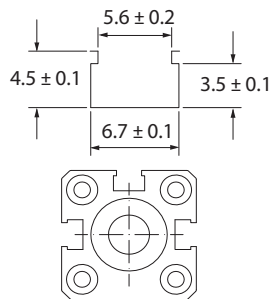
## ◆ C Groove Dimension



## ◆ T Groove Dimension



## ◆ Multi-Cylinder Dimension



All dimensions are in mm

Proximity Sensors

Photoelectric Sensors

Measurement Sensors

Vision & Safety Sensors

Control

Weighing

Automation

Components

Cat. No. PM-317

Exclusively Represented by:

Intech Systems Chennai Pvt Ltd  
 S-2, Guindy Industrial Estate  
 Chennai - 600 032. Ph: 4353 8888  
 Email: [info@intechchennai.com](mailto:info@intechchennai.com)

[www.inno.sg](http://www.inno.sg)

© INNO, Rights Reserved  
 In the interest of continuous product improvement  
 specifications are subject to change without notice