

Inductive Proximity Sensor

Miniature - 3mm to M5!

PQ-M



SALIENT FEATURES

- ◆ SS Housing
- ◆ Ø3, Ø4, M4 & M5
- ◆ M5 with M8 Connector
- ◆ 4 LEDs - Status Indication
- ◆ Normal and Double Sensing
- ◆ Prewired and Connector Types

Model Number Legend

PQ-M-□□-□□-□
1 2 3 4 5 6 7

1. Series

PQ

2. Type

M: Miniature (small dia.)

3. Housing

3M: Ø3mm, Smooth

4M: Ø4mm, Smooth

M4: M4, Threaded

M5: M5, Threaded

4. Shield

F: Flush/ Shielded

5. Sensing Distance

0.6: 0.6 mm

1: 1 mm

1.5: 1.5 mm

6. Output

NO: NPN - NO

PO: PNP - NO

NC: NPN - NC

PC: PNP - NC

7. Connection

2M: 2m Cable

M8C: M8 Connector

#. Accessories included

Check Nut: 1 Pair

Example:

PQ-M-M5F-1.5NO-2M

PQ Series - Miniature Sensor - M5, Flush - 1.5mm Sensing Distance, NPN NO - 2 meter Prewired

NOTE:

Contact us for models not shown in catalogue.

Connector cables are sold separately; look in CC series catalogue for the same (www.inno.sg/cc).

Size			3mm	4mm	M4	M5
Model	Cable Type	NPN - NO	PQ-M-3MF- _ NO-2M	PQ-M-4MF- _ NO-2M	PQ-M-M4F- _ NO-2M	PQ-M-M5F- _ NO-2M
		NPN - NC	PQ-M-3MF- _ NC-2M	PQ-M-4MF- _ NC-2M	PQ-M-M4F- _ NC-2M	PQ-M-M5F- _ NC-2M
		PNP - NO	PQ-M-3MF- _ PO-2M	PQ-M-4MF- _ PO-2M	PQ-M-M4F- _ PO-2M	PQ-M-M5F- _ PO-2M
		PNP - NC	PQ-M-3MF- _ PC-2M	PQ-M-4MF- _ PC-2M	PQ-M-M4F- _ PC-2M	PQ-M-M5F- _ PC-2M
	M8 Connector Type	NPN - NO	-	-	-	PQ-M-M5F- _ NO-M8C
		NPN - NC	-	-	-	PQ-M-M5F- _ NC-M8C
		PNP - NO	-	-	-	PQ-M-M5F- _ PO-M8C
		PNP - NC	-	-	-	PQ-M-M5F- _ PC-M8C
Sensing Distance	Normal Sensing	0.6mm	1mm	0.6mm	1mm	
	Double Sensing	-	1.5mm	-	1.5mm	
Standard Sensing Target			Iron, Ø5x1mm	Iron, Ø6x1mm	Iron, Ø6x1mm	Iron, Ø8x1mm
Hysteresis			15%			
Response Freq./ Time	Normal Sensing	2000 Hz/ 0.1ms	2000 Hz/ 0.1ms	2000 Hz/ 0.1ms	2000 Hz/ 0.1ms	
	Double Sensing	-	2000 Hz/ 0.1ms	-	2000 Hz/ 0.1ms	
Supply Voltage			10-30VDC (ripple included)			
Current Consumption			< 10mA			
Output	Type	NPN or PNP - NO/ NC depending on the model				
	Switching Capacity	100mA; Overload trip: 120mA				
	Leakage Current	< 0.01mA				
	Voltage Drop	< 1.5VDC				
Indication			Operation: Red LED (Cable type)/ 4 Red LED (Connector type)			
Protection Circuits			Reverse power supply polarity; reversed output polarity; Short circuit Protection			
Dielectric Strength			1000 VAC, 50/60 Hz for 1 minute between current carry parts and case			
Voltage Influence			± 5% max. of sensing distance (ref. sensing distance taken at 24VDC)			
Temperature Influence			± 10% max. of sensing distance (ref. sensing distance taken at 25°C)			
Vibration Resistance			10 - 55Hz, 1mm for 2 hours in X, Y, Z directions (destruction)			
Shock Resistance			50 G (10 times) in X, Y, Z direction for 3 times (destruction)			
Ambient Temperature			Operation: -25° ~ 70° C; Storage: -30° ~ 80° C (non-freezing; non-condensing)			
Ambient Humidity			Operation: 40 ~ 85% RH; Storage: 35 ~ 95% RH (non- condensing)			
Protection Class			IP-67			
Weight	Prewired	approx. 25g	approx. 25g	approx. 25g	approx. 30g	
	Connector	-	-	-	approx. 25g	
Cable			2M, 2.6 Ø 3*0.15			
Material			Head: POM; Tube: Stainless Steel; Nuts: Chrome plated MS			
Tightening Torque			- 1.5 Nm (max.)			

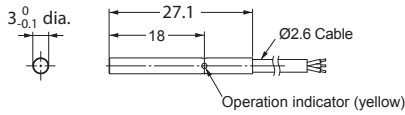
Note:

* - Sensing Distance is calculated on the basis of the maximum sensing capacity when tested with a standard test object.

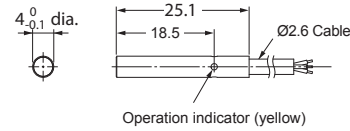
Sensor Dimension Drawing

PQ-M

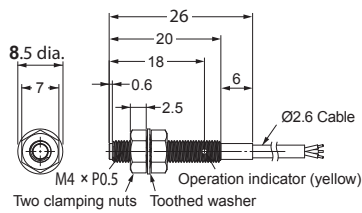
PQ-M-3MF-__-2M



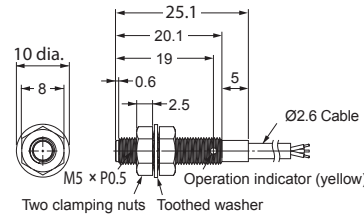
PQ-M-4MF-__-2M



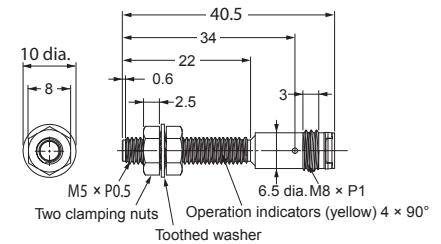
PQ-M-M4F-__-2M



PQ-M-M5F-__-2M

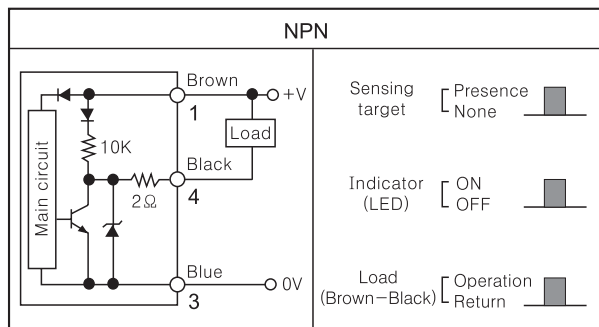


PQ-M-M5F-__-M8C



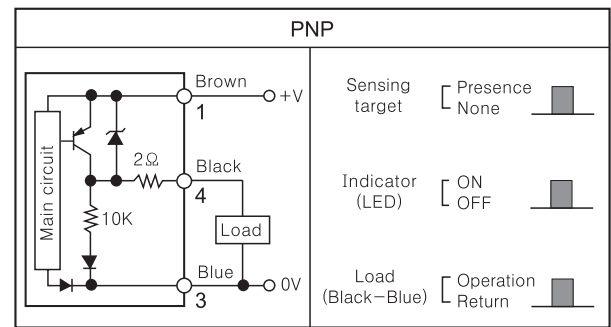
All dimensions are in mm

Control Output Diagram



Brown : DC 10~30V

Blue : 0V



Black : Control Output

Exclusively Represented by:

Intech Systems Chennai Pvt Ltd
 S-2, Guindy Industrial Estate
 Chennai - 600 032. Ph: 4353 8888
 Email: info@intechchennai.com

www.inno.sg

© INNO, Rights Reserved
 In the interest of continuous product improvement
 specifications are subject to change without notice

Cat. No. PQ-M-713

- Proximity Sensors
- Photoelectric Sensors
- Measurement Sensors
- Vision & Safety Sensors
- Control
- Weighing
- Automation
- Components