

Miniature Metal Proximity Sensor

Square Tube Type

PR8



Model Number Legend

PR8-□□-□

1 2 3 4

1. Series

PR8

2. Sensing Distance

- 1: 1 mm
- 2: 2 mm

3. Output

- NO: NPN - NO
- PO: PNP - NO

4. Connection

- 2M: 2m Cable
- M8C: M8 Connector

#. Accessories included

- Check Nut: 1 Pair

Example:

PR8-2NO-2M
 PR8 Series - 2mm Sensing Distance, NPN NO - 2 meter Cable

NOTE: Contact us for models not shown in catalogue.
 Connector cables are sold separately; look in CC series catalogue for the same (www.inno.sg/cc).

Product Highlights

◆ **Single & Double Sensing**

The PR8 series enables a longer sensing distance of 2mm for demanding applications and standard sensing distance of 1mm for standard applications.

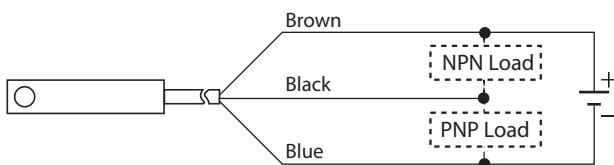
◆ **Heavy-duty Construction**

The PR8 series can withstand harsh working environment and impacts in the work area due to the increased thickness of the brass housing

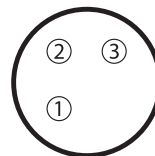
Sensing Distance			1mm	2mm
Model	Prewired	NPN - NO	PR8-1NO-2M	PR8-2NO-2M
		PNP - NO	PR8-1PO-2M	PR8-2PO-2M
	Connector	NPN - NO	PR8-1NO-M8C	PR8-2NO-M8C
		PNP - NO	PR8-1PO-M8C	PR8-2PO-M8C
Standard Sensing Target			Iron, Ø10x1mm	Iron, Ø12x2mm
Hysteresis			± 15%	
Response Frequency/ Time			2000 Hz/ 0.1ms	1000 Hz/ 0.2ms
Supply Voltage			10-30VDC (ripple included)	
Current Consumption			< 10mA	
Connection			PR8- __-2M - 2m prewired; PR8- __-M8C - M8 Connector Type	
Output	Type		NPN or PNP - NO depending on the model	
	Switching Capacity		200mA; Overload trip: 220mA	
	Leakage Current		< 0.01mA	
	Voltage Drop		< 1.5VDC	
Protection Circuits			Reverse power supply polarity; Reversed output polarity	
Dielectric Strength			1000 VAC, 50/60 Hz for 1 minute between current carry parts and case	
Voltage Influence			± 5% max. of sensing distance (ref. sensing distance taken at 24VDC)	
Temperature Influence			± 10% max. of sensing distance (ref. sensing distance taken at 25°C)	
Vibration Resistance			10 - 55Hz, 1mm for 2 hours in X, Y, Z directions (destruction)	
Shock Resistance			50 G (10 times) in X, Y, Z direction for 3 times (destruction)	
Ambient Temperature			Operation: -25° ~ 70° C; Storage: -30° ~ 80° C (non-freezing; non-condensing)	
Ambient Humidity			Operation: 40 ~ 85% RH; Storage: 35 ~ 95% RH (non- condensing)	
Protection Class			IP-67	
Weight	Prewired		approx. 40g	
	Connector		approx. 92g	
Cable			2M, 2.9Ø 3*0.15	
Material			Head: POM; Tube: Nickel plated Brass	

Connection

◆ Cable Type



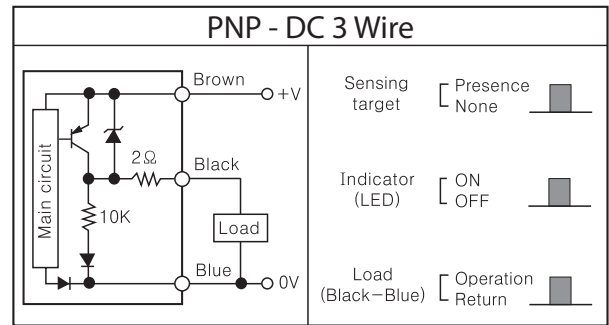
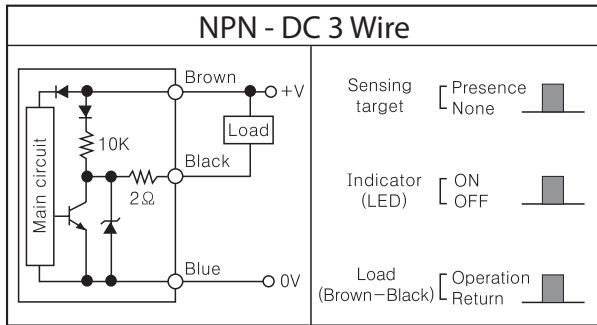
◆ Connector Type



Brown (1) : DC 10~30V
 Blue (2) : oV
 Black (3) : Control Output

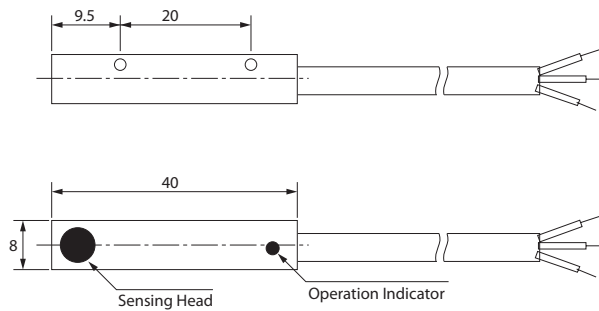
Control Output Diagram

PR8

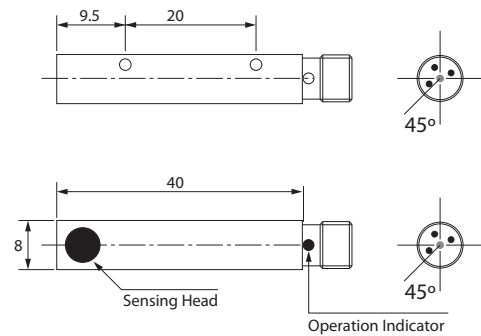


Sensor Dimension Drawing

◆ PR8-__-2M



◆ PR8-__-M8C



All dimensions are in mm

Cat. No. PR8-912

Exclusively Represented by:

Intech Systems Chennai Pvt Ltd
 S-2, Guindy Industrial Estate
 Chennai - 600 032. Ph: 4353 8888
 Email: info@intechchennai.com

www.inno.sg

© INNO, Rights Reserved
 In the interest of continuous product improvement
 specifications are subject to change without notice