



PRF-913

PRF

FLAT TOP SENSING  
INDUCTIVE PROXIMITY



INSTRUCTION SHEET

Thank you for selecting INNO for your requirement.

This sheet describes the procedure and precautions required for installing and operating the product.

Kindly read this sheet before operating or installing the product. Store the sheet for future reference.

SPECIFICATIONS

\*For details on Customized/ Special Models contact Seller

Output Type	NPN	PNP	DC 2 Wire
*Model	NPN - NO PNP - NO	PRF-T-5NO-2M PRF-T-5NC-2M	PRF-T-5PO-2M PRF-T-5PC-2M PRF-T-5DO-2M PRF-T-5DC-2M
Sensing Distance	5mm		
Standard Sensing Target	20mm x 20mm x 1 mm iron piece		
Hysteresis	± 20%		
Response Frequency / Time	500Hz/ 0.5ms		
Supply Voltage	12 - 24 VDC ±10% Ripple		
Output	Type	NPN - NO or NC	PNP - NO or NC DC 2 wire - NO or NC
	Switching Capacity	100mA (overload 120mA) @ 24VDC	
	No Load Current	200mA	
Indication	Operation: Red LED		
Protection Circuits	Power supply polarity, output polarity protection		
Voltage Influence	± 5% max. of sensing distance (ref. sensing distance taken at 24VDC)		
Temperature Influence	± 10% max. of sensing distance (ref. sensing distance taken at 25°C)		
Vibration Resistance	10 - 55Hz, 0.5mm for 2 hours in X, Y, Z directions (destruction)		
Shock Resistance	20 G (1.0 times) in X, Y, Z direction for 3 times (destruction)		
Ambient Temperature	Operation: -15° ~ 60° C; Storage: -30° ~ 70° C (non-freezing; non-condensing)		
Ambient Humidity	Operation: 35 ~ 80% RH; Storage: 35 ~ 95% RH (non-condensing)		
Protection Class	IP67		
Weight	Approx. 40g		
Material	ABS		

CAUTION FOR SAFETY

- Please keep this sheet for review before use of unit.
- Please observe the following:

**WARNING**  
Serious injury may occur if instructions are not followed

**CAUTION**  
Product failure or injury can occur if instructions are not followed

WARNING

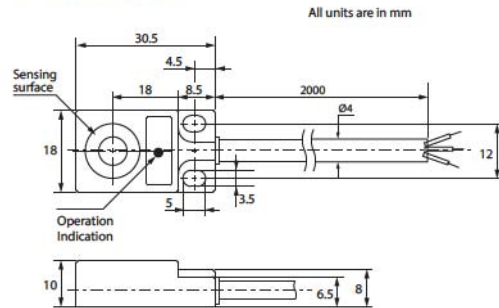
- This is not a safety product and is not to be used with machinery that requires use of safety control.
- Do not disassemble or modify this unit. It may lead to electric shock/ fire.

CAUTION

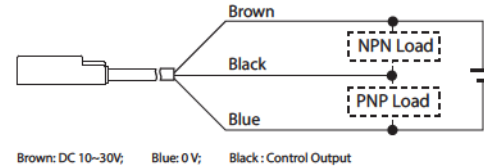
- This unit shall not be used outdoors.
- Do not use this unit in places where there is flammable or explosive gas.
- Do not use in high humidity areas.
- Please observe the rated specifications in Instruction Sheet.
- Do not use this unit beyond rated power and do not supply AC power at DC power type.
- Please check the polarity of power and wrong wiring.
- Do not use this unit in places where there is vibration or impact.
- Do not use in places with spatter, false detection possible.
- Do not use excessive force to tighten the unit to the mounting plate and do not hammer the unit.
- Do not use unit without proper grounding in areas with high static discharge.
- Please process it as industrial waste and dispose responsibly.

For more information visit [www.inno.sg](http://www.inno.sg)

DIMENSIONS



CONNECTION DIAGRAM



Represented by:

Intech Systems Chennai Pvt. Ltd.  
S-2, Guindy Industrial Estate  
Chennai - 32. Ph: 044 4353 8888  
Email: [info@intechchennai.com](mailto:info@intechchennai.com)



© Rights Reserved

CONTROL OUTPUT DIAGRAM

