

DESCRIPTION:-

Rope Tension is a special loadcell used for measuring the tension on a rope. It is clamped on to the rope and is used to measure the slackness or tension of a rope on a crane. It is widely used in cranes for overload protection and rope slackening prevention.

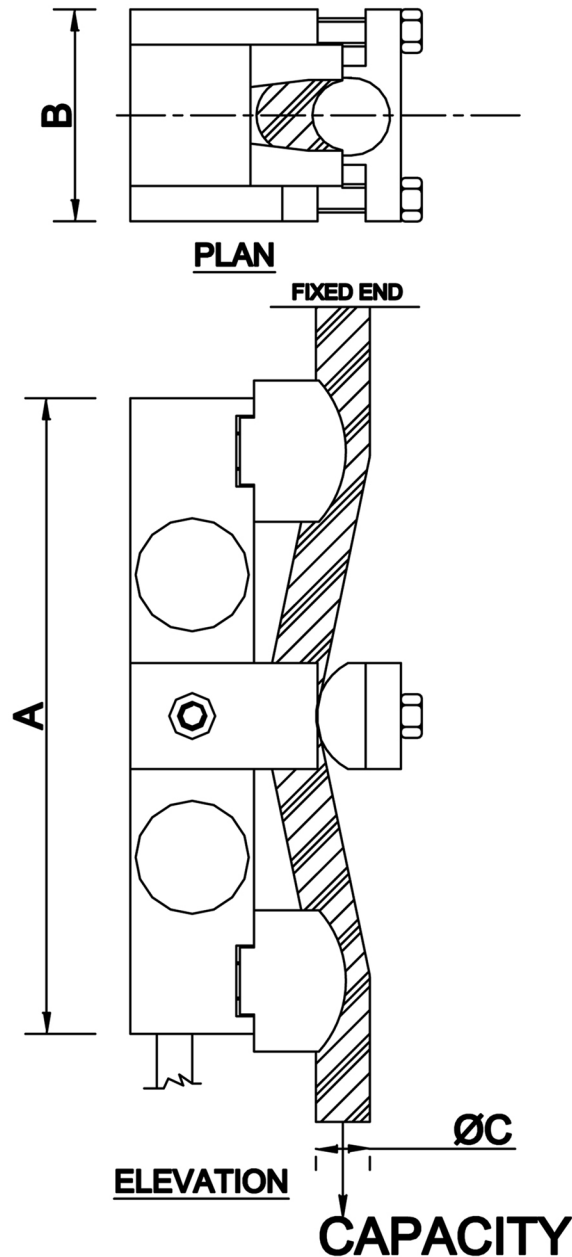
APPLICATIONS:-

Crane/Hoist Over load Monitoring Systems, Rope Tension Monitoring Systems
Tower Testing Applications, Lift Over load Monitoring Systems

SPECIFICATIONS:-

PARAMETERS	SPECIFIED VALUE	
Type	Rope Tension	
Capacity (Tons)	3-10	15
Rated Output (mV/ V) ± 0.01	1	1.5
Accuracy (%R.0) \pm	5	5
In-put resistance (Ohms) ± 10	390	390
Out-put resistance(Ohms) ± 2	350	350
Excitation Voltage (DC 12 V Max)	10	10
Safe Overload (%)	150	150
Ultimate Overload (%)	300	300
Protection Class	IP-68	IP-68
Insulation Resistance Bridge(Ohms)	>1000 M	>1000 M
Cable	4 Core Shielded 5 Mtrs	4 Core Shielded 5 Mtrs

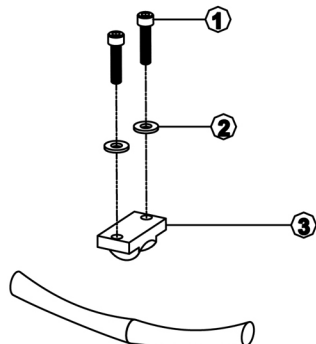
OUTER DIMENSIONS in mm:-



DIMENSION DETAILS:-

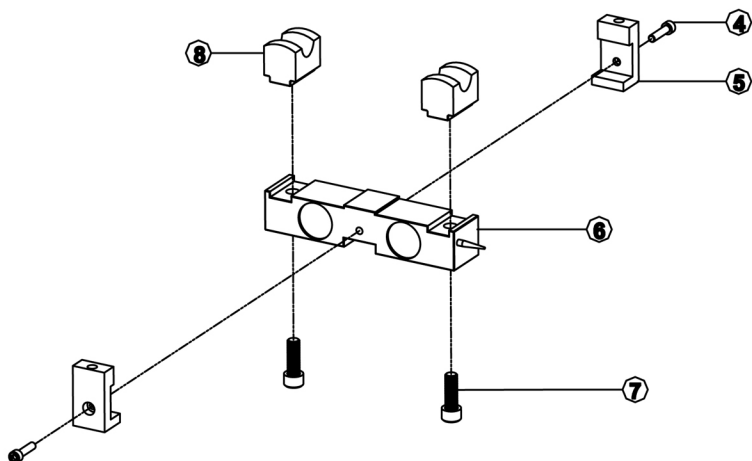
CAPACITY (Ton)	MODEL NO	DIMENSIONS (mm)		
		A	B	ØC
3	RT033H9	180	40	14-22
5,10,15	RT053H9,RT014H9,RT153H9	230	60	16-36

EXPLODED VIEW



PART LIST

No	DESCRIPTION	QTY./ ASSY
1	SOCKET HEAD CAP SCREW	2
2	PLAIN WASHER	2
3	TOP FIXING BLOCK	1
4	SOCKET HEAD CAP SCREW	2
5	LOADCELL FIXING BLOCK	2
6	LOADCELL - RT	1
7	SOCKET HEAD CAP SCREW	2
8	SUPPORTING BLOCK	2



ASSEMBLED VIEW

