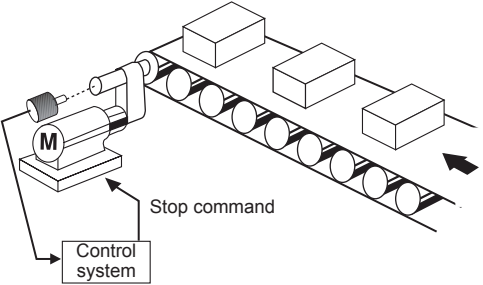
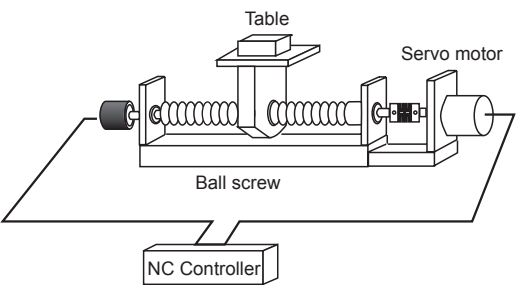
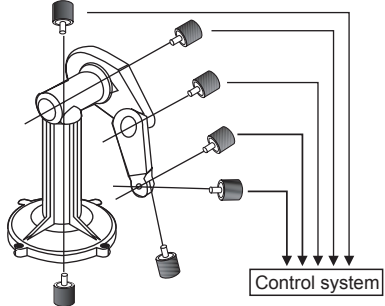
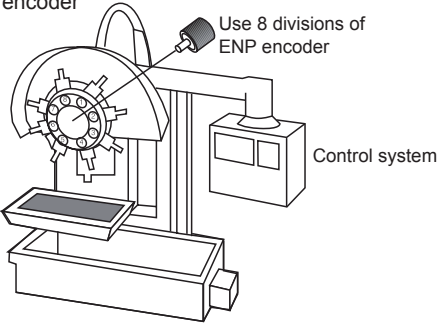
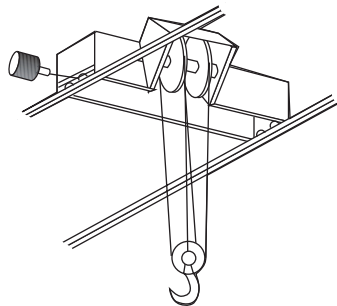
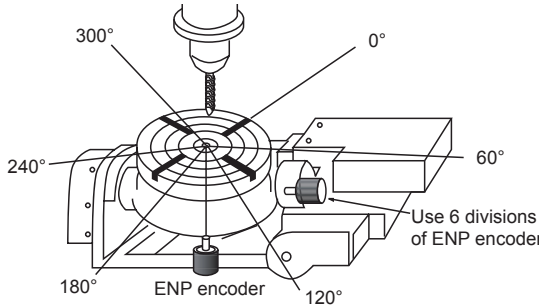
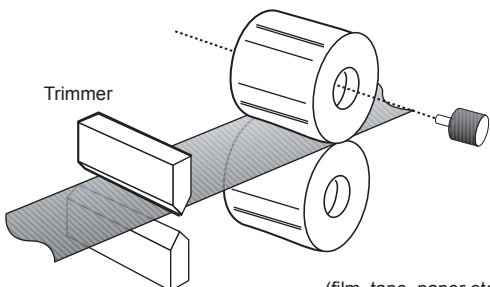


Applications

■ Applications

<p>Stopping the motor at right position</p> <p>※Incremental encoder</p> 	<p>X, Y table positioning of NC tooling machine</p> <p>※Incremental encoder</p> 
<p>Measuring of Robot arm angle and position</p> <p>※Incremental encoder</p> 	<p>Controlling drill position of NC machine</p> <p>※Absolute encoder</p> 
<p>Controlling position of moving crane</p> <p>※ Incremental encoder</p> 	<p>Controlling table angle of NC machine</p> <p>※Absolute encoder</p> 
<p>Measuring the length of sheet</p> <p>※Incremental encoder</p>  <p>(film, tape, paper etc.)</p>	<p>Controlling entrance and exit of car</p> <p>※Absolute encoder</p> 