
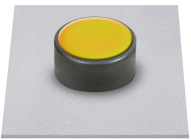
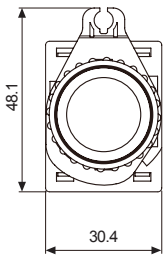
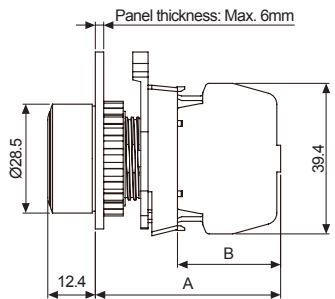


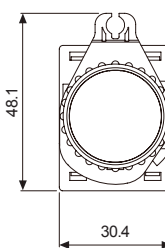
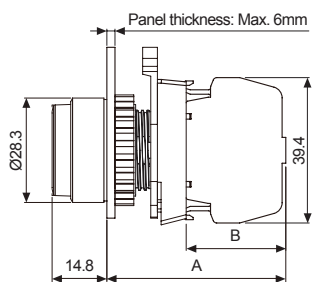


**Ø22/25 Round Push Button Switches (S2PR Series)**

Type	Appearance	Model	Contact block		LED block										
			A contact	B contact	AC/DC voltage	AC voltage									
Extended	 <p>S2PR-P1Y□</p> 	<b>S2PR-P1</b> □A(M)	1	—	—	—									
		<b>S2PR-P1</b> □2A(M)	2	—											
		<b>S2PR-P1</b> □3A(M)	3	—											
		<b>S2PR-P1</b> □B(M)	—	1											
		<b>S2PR-P1</b> □2B(M)	—	2											
		<b>S2PR-P1</b> □3B(M)	—	3											
		<b>S2PR-P1</b> □AB(M)	1	1											
		<b>S2PR-P1</b> □2AB(M)	2	1											
		<b>S2PR-P1</b> □A2B(M)	1	2											
		<p>※□ indicates color: <b>R</b>, <b>B</b>, <b>G</b>, <b>Y</b>, <b>K</b></p> <p>※The M in the model name indicates modular type contact block. Models without M are singular contact block.</p> <p>※The control unit, contact blocks, LED blocks are sold separately. (control unit: bold letters, contact block: regular letters)</p> <p>※Waterproof cap (model: SA-WP) is available.</p> <p>• Dimensions <span style="float: right;">(unit: mm)</span></p> <div style="display: flex; justify-content: space-around; align-items: flex-start;">   <table border="1" style="margin-left: auto;"> <thead> <tr> <th></th> <th>A</th> <th>B</th> </tr> </thead> <tbody> <tr> <td>Singular type</td> <td>48.5</td> <td>27.0</td> </tr> <tr> <td>Modular type</td> <td>46.5</td> <td>25.0</td> </tr> </tbody> </table> </div> <p style="text-align: right;">※For panel cut-out dimensions, please refer to page A-78.</p>								A	B	Singular type	48.5	27.0	Modular type
	A	B													
Singular type	48.5	27.0													
Modular type	46.5	25.0													

Type	Appearance	Model	Contact block		LED block										
			A contact	B contact	AC/DC voltage	AC voltage									
Extended button	 <p>S2PR-E1G□</p> 	<b>S2PR-E1</b> □A(M)	1	—	—	—									
		<b>S2PR-E1</b> □2A(M)	2	—											
		<b>S2PR-E1</b> □3A(M)	3	—											
		<b>S2PR-E1</b> □B(M)	—	1											
		<b>S2PR-E1</b> □2B(M)	—	2											
		<b>S2PR-E1</b> □3B(M)	—	3											
		<b>S2PR-E1</b> □AB(M)	1	1											
		<b>S2PR-E1</b> □2AB(M)	2	1											
		<b>S2PR-E1</b> □A2B(M)	1	2											
		<p>※□ indicates color: <b>R</b>, <b>B</b>, <b>G</b>, <b>Y</b>, <b>K</b></p> <p>※The M in the model name indicates modular type contact block. Models without M are singular contact block.</p> <p>※The control unit, contact blocks, LED blocks are sold separately. (control unit: bold letters, contact block: regular letters)</p> <p>• Dimensions <span style="float: right;">(unit: mm)</span></p> <div style="display: flex; justify-content: space-around; align-items: flex-start;">   <table border="1" style="margin-left: auto;"> <thead> <tr> <th></th> <th>A</th> <th>B</th> </tr> </thead> <tbody> <tr> <td>Singular type</td> <td>48.5</td> <td>27.0</td> </tr> <tr> <td>Modular type</td> <td>46.5</td> <td>25.0</td> </tr> </tbody> </table> </div> <p style="text-align: right;">※For panel cut-out dimensions, please refer to page A-78.</p>								A	B	Singular type	48.5	27.0	Modular type
	A	B													
Singular type	48.5	27.0													
Modular type	46.5	25.0													



# Ø22/25 Push Button Switches

## Control Switches

Ø16

Ø22/25

Ø30

□30

## Push Button Switches

Round

Square

Rectangular

## Selector Switches

Round

Square

Rectangular

## Key Selector Switches

Round

Square

Rectangular

## Double Push Button Switches



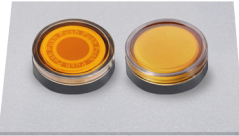
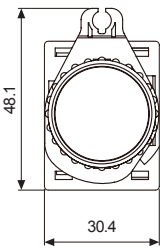
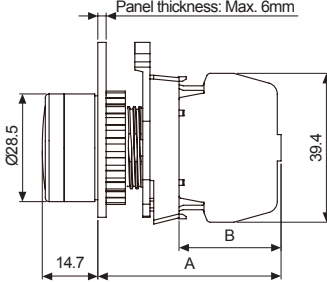
## Mushroom-head Push Button Switches

## Emergency Switches




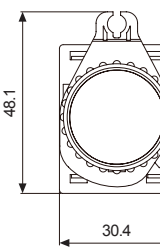
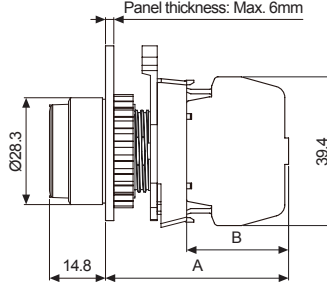
## Pilot Lights

## Accessories

## Buzzers



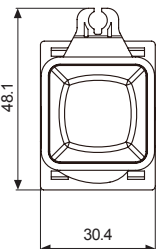
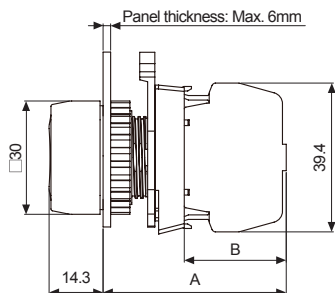
Type	Appearance	Model	Contact block		LED block										
			A contact	B contact	AC/DC voltage	AC voltage									
Extended (illuminated)	 <p>S2PR-P3Y□</p>  <p>S2PRU-P3Y□</p> 	S2PR(U)-P3□AD(M)	1	—	1	—									
		S2PR(U)-P3□2AD(M)	2	—											
		S2PR(U)-P3□BD(M)	—	1											
		S2PR(U)-P3□2BD(M)	—	2											
		S2PR(U)-P3□ABD(M)	1	1	—	1									
		S2PR(U)-P3□AL(M)	1	—											
		S2PR(U)-P3□2AL(M)	2	—											
		S2PR(U)-P3□BL(M)	—	1											
		S2PR(U)-P3□2BL(M)	—	2											
		S2PR(U)-P3□ABL(M)	1	1											
※□ indicates color: <b>R</b> , <b>B</b> , <b>G</b> , <b>Y</b> , <b>W</b> ※Models without 'U' in the model name contain "Push" markings on the button cap. ※The M in the model name indicates modular type contact block. Models without M are singular contact block. ※The control unit, contact blocks, LED blocks are sold separately. (control unit: bold letters, contact and LED block: regular letters) ※The LED color is the same as the control unit. ※Waterproof cap (model: SA-WL) is available.															
• Dimensions (unit: mm) <div style="display: flex; justify-content: space-around; align-items: flex-start;"> <div style="text-align: center;">  <p>48.1 30.4</p> </div> <div style="text-align: center;">  <p>Panel thickness: Max. 6mm Ø28.5 14.7 39.4 A B</p> </div> <div style="border: 1px solid black; padding: 5px;"> <table border="1"> <thead> <tr> <th></th> <th>A</th> <th>B</th> </tr> </thead> <tbody> <tr> <td>Singular type</td> <td>48.5</td> <td>27.0</td> </tr> <tr> <td>Modular type</td> <td>46.5</td> <td>25.0</td> </tr> </tbody> </table> </div> </div>								A	B	Singular type	48.5	27.0	Modular type	46.5	25.0
	A	B													
Singular type	48.5	27.0													
Modular type	46.5	25.0													

※For panel cut-out dimensions, please refer to page A-78.

Type	Appearance	Model	Contact block		LED block										
			A contact	B contact	AC/DC voltage	AC voltage									
Extended button (illuminated)	 <p>S2PR-E3W□</p>  <p>S2PRU-E3W□</p> 	S2PR(U)-E3□AD(M)	1	—	1	—									
		S2PR(U)-E3□2AD(M)	2	—											
		S2PR(U)-E3□BD(M)	—	1											
		S2PR(U)-E3□2BD(M)	—	2											
		S2PR(U)-E3□ABD(M)	1	1	—	1									
		S2PR(U)-E3□AL(M)	1	—											
		S2PR(U)-E3□2AL(M)	2	—											
		S2PR(U)-E3□BL(M)	—	1											
		S2PR(U)-E3□2BL(M)	—	2											
		S2PR(U)-E3□ABL(M)	1	1											
※□ indicates color: <b>R</b> , <b>B</b> , <b>G</b> , <b>Y</b> , <b>W</b> ※Models without 'U' in the model name contain "Push" markings on the button cap. ※The M in the model name indicates modular type contact block. Models without M are singular contact block. ※The control unit, contact blocks, LED blocks are sold separately. (control unit: bold letters, contact and LED block: regular letters) ※The LED color is the same as the control unit.															
• Dimensions (unit: mm) <div style="display: flex; justify-content: space-around; align-items: flex-start;"> <div style="text-align: center;">  <p>48.1 30.4</p> </div> <div style="text-align: center;">  <p>Panel thickness: Max. 6mm Ø28.3 14.8 39.4 A B</p> </div> <div style="border: 1px solid black; padding: 5px;"> <table border="1"> <thead> <tr> <th></th> <th>A</th> <th>B</th> </tr> </thead> <tbody> <tr> <td>Singular type</td> <td>48.5</td> <td>27.0</td> </tr> <tr> <td>Modular type</td> <td>46.5</td> <td>25.0</td> </tr> </tbody> </table> </div> </div>								A	B	Singular type	48.5	27.0	Modular type	46.5	25.0
	A	B													
Singular type	48.5	27.0													
Modular type	46.5	25.0													

※For panel cut-out dimensions, please refer to page A-78.

**Ø22/25 Square Push Button Switches (S2PRS Series)**

Type	Appearance	Model	Contact block		LED block										
			A contact	B contact	AC/DC voltage	AC voltage									
Extended	 <p>S2PRS-P1B</p> 	S2PRS-P1A(M)	1	—	—	—									
		S2PRS-P12A(M)	2	—											
		S2PRS-P13A(M)	3	—											
		S2PRS-P1B(M)	—	1											
		S2PRS-P12B(M)	—	2											
		S2PRS-P13B(M)	—	3											
		S2PRS-P1AB(M)	1	1											
		S2PRS-P12AB(M)	2	1											
		S2PRS-P1A2B(M)	1	2											
		<p>※□ indicates color: <b>R</b>, <b>B</b>, <b>G</b>, <b>Y</b>, <b>K</b></p> <p>※The M in the model name indicates modular type contact block. Models without M are singular contact block.</p> <p>※The control unit, contact blocks, LED blocks are sold separately. (control unit: bold letters, contact block: regular letters)</p> <p>• Dimensions <span style="float: right;">(unit: mm)</span></p> <div style="display: flex; justify-content: space-around; align-items: flex-start;"> <div style="text-align: center;">  <p>48.1</p> <p>30.4</p> </div> <div style="text-align: center;">  <p>Panel thickness: Max. 6mm</p> <p>30</p> <p>14.3</p> <p>39.4</p> <p>A</p> <p>B</p> </div> <div style="border: 1px solid black; padding: 5px;"> <table border="1"> <thead> <tr> <th></th> <th>A</th> <th>B</th> </tr> </thead> <tbody> <tr> <td>Singular type</td> <td>48.5</td> <td>27.0</td> </tr> <tr> <td>Modular type</td> <td>46.5</td> <td>25.0</td> </tr> </tbody> </table> </div> </div> <p style="text-align: right;">※For panel cut-out dimensions, please refer to page A-78.</p>								A	B	Singular type	48.5	27.0	Modular type
	A	B													
Singular type	48.5	27.0													
Modular type	46.5	25.0													



# Ø22/25 Push Button Switches

## Control Switches

Ø16

Ø22/25

Ø30

□30

## Push Button Switches

Round

Square

Rectangular

## Selector Switches

Round

Square

Rectangular

## Key Selector Switches

Round

Square

Rectangular

## Double Push Button Switches






## Mushroom-head Push Button Switches

## Emergency Switches

## Pilot Lights

## Accessories

## Buzzers

Type	Appearance	Model	Contact block		LED block		
			A contact	B contact	AC/DC voltage	AC voltage	
Extended (illuminated)	 <p>S2PRS-P3R□</p>  <p>S2PRS-P3R□</p>  <p>S2PRS-P3YU□</p>  	Standard	S2PRS(U)-P3□AD(M)	1	—	1	—
			S2PRS(U)-P3□2AD(M)	2	—		
			S2PRS(U)-P3□BD(M)	—	1		
			S2PRS(U)-P3□2BD(M)	—	2		
			S2PRS(U)-P3□ABD(M)	1	1		
			S2PRS(U)-P3□AL(M)	1	—		
			S2PRS(U)-P3□2AL(M)	2	—		
			S2PRS(U)-P3□BL(M)	—	1		
			S2PRS(U)-P3□2BL(M)	—	2		
			S2PRS(U)-P3□ABL(M)	1	1		
		Arrows (Left/Right)	S2PRS-P3□LAD(M)	1	—	1	—
			S2PRS-P3□L2AD(M)	2	—		
			S2PRS-P3□LBD(M)	—	1		
			S2PRS-P3□L2BD(M)	—	2		
			S2PRS-P3□LABD(M)	1	1		
			S2PRS-P3□LAL(M)	1	—		
			S2PRS-P3□L2AL(M)	2	—		
			S2PRS-P3□LBL(M)	—	1		
			S2PRS-P3□L2BL(M)	—	2		
			S2PRS-P3□LABL(M)	1	1		
		Arrows (Up/Down)	S2PRS-P3□UAD(M)	1	—	1	—
			S2PRS-P3□U2AD(M)	2	—		
			S2PRS-P3□UBD(M)	—	1		
			S2PRS-P3□U2BD(M)	—	2		
			S2PRS-P3□UABD(M)	1	1		
			S2PRS-P3□UAL(M)	1	—		
			S2PRS-P3□U2AL(M)	2	—		
			S2PRS-P3□UBL(M)	—	1		
			S2PRS-P3□U2BL(M)	—	2		
			S2PRS-P3□UABL(M)	1	1		

※□ indicates color: **R**, **B**, **G**, **Y**, **W**

※Models without 'U' in the model name contain "Push" markings on the button cap.

※The M in the model name indicates modular type contact block. Models without M are singular contact block.

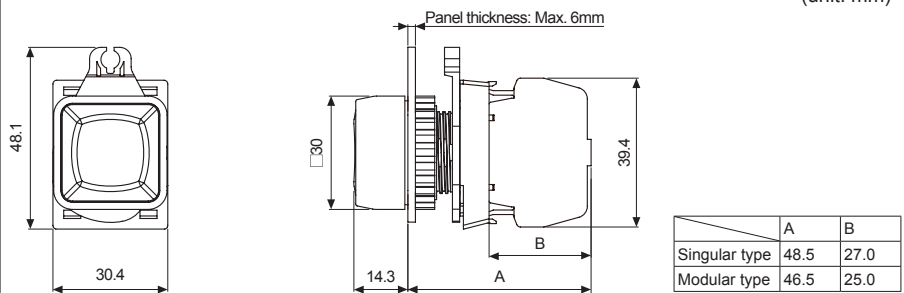
※The control unit, contact blocks, LED blocks are sold separately.

(control unit: bold letters, contact and LED block: regular letters)

※The LED color is the same as the control unit.

### • Dimensions

(unit: mm)



※For panel cut-out dimensions, please refer to page A-78.

## Ø22/25 Round Standard Lever Selector Switches (S2SR Series)

Type	Appearance	Operating position	Model	Contact block		LED block	
				A contact	B contact	AC/DC voltage	AC voltage
Standard short lever, extended		2-position, spring return	 S2SR-S1□A(M)	1	—	—	—
			S2SR-S1□2A(M)	2	—		
			S2SR-S1□B(M)	—	1		
			S2SR-S1□2B(M)	—	2		
			S2SR-S1□AB(M)	1	1		
		2-position, maintained	 S2SR-S3□A(M)	1	—		
			S2SR-S3□2A(M)	2	—		
			S2SR-S3□B(M)	—	1		
			S2SR-S3□2B(M)	—	2		
		3-position, spring return two-way	 S2SR-S5K□2A(M)	2	—		
			S2SR-S5K□2B(M)	—	2		
			S2SR-S5K□AB(M)	1	1		
		3-position, maintained	 S2SR-S7K□2A(M)	2	—		
			S2SR-S7K□2B(M)	—	2		
			S2SR-S7K□AB(M)	1	1		
		3-position, spring return from right	 S2SR-SAK□2A(M)	2	—		
			S2SR-SAK□2B(M)	—	2		
			S2SR-SAK□AB(M)	1	1		
3-position, spring return from left	 S2SR-SCK□2A(M)	2	—				
	S2SR-SCK□2B(M)	—	2				
	S2SR-SCK□AB(M)	1	1				

※□ indicates color: **W**, **R**

※The M in the model name indicates modular type contact block. Models without M are singular contact block.

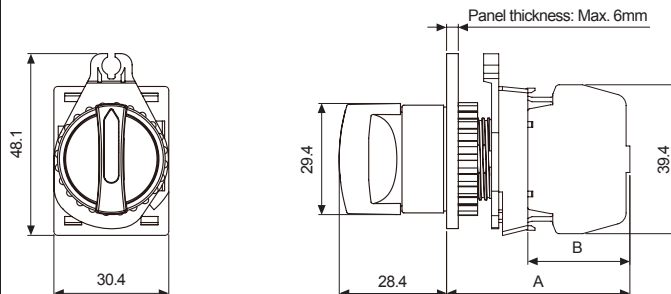
※The control unit, contact blocks, LED blocks are sold separately.

(control unit: bold letters, contact block: regular letters)

※Connect up to 2 contact blocks. Connect the contact blocks only on the right and left side slots. It will not operate if connected to the center slot.



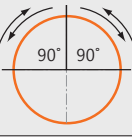
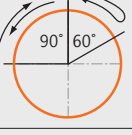
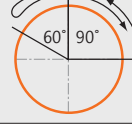
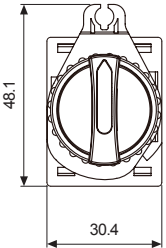
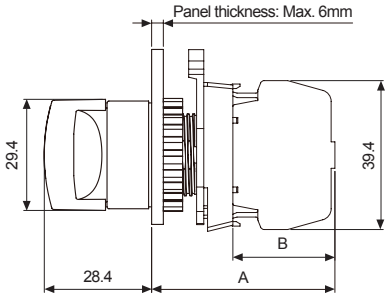
### • Dimensions

(unit: mm)







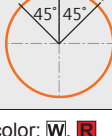
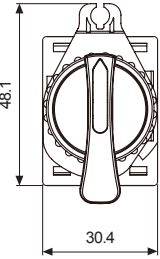
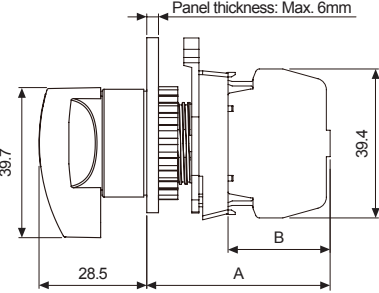



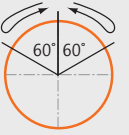
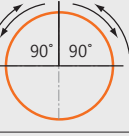
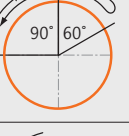
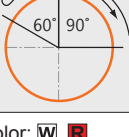
	A	B
Singular type	48.5	27.0
Modular type	46.5	25.0

※For panel cut-out dimensions, please refer to page A-78.

Type	Appearance	Operating position	Model	Contact block		LED block										
				A contact	B contact	AC/DC voltage	AC voltage									
Standard short lever, extended		3-position, spring return two-way	 <b>S2SR-S5</b> □2A(M)	2	—	—	—									
			<b>S2SR-S5</b> □2B(M)	—	2											
			<b>S2SR-S5</b> □AB(M)	1	1											
		3-position, maintained		<b>S2SR-S7</b> □2A(M)	2			—								
				<b>S2SR-S7</b> □2B(M)	—			2								
				<b>S2SR-S7</b> □AB(M)	1			1								
		3-position, spring return from right		<b>S2SR-SA</b> □2A(M)	2			—								
				<b>S2SR-SA</b> □2B(M)	—			2								
				<b>S2SR-SA</b> □AB(M)	1			1								
		3-position, spring return from left		<b>S2SR-SC</b> □2A(M)	2			—								
				<b>S2SR-SC</b> □2B(M)	—			2								
				<b>S2SR-SC</b> □AB(M)	1			1								
<p>※□ indicates color: <b>W</b>, <b>R</b></p> <p>※The M in the model name indicates modular type contact block. Models without M are singular contact block.</p> <p>※The control unit, contact blocks, LED blocks are sold separately. (control unit: bold letters, contact block: regular letters)</p> <p>※Connect up to 2 contact blocks. Connect the contact blocks only on the right and left side slots. It will not operate if connected to the center slot.</p> <p>• Dimensions <span style="float: right;">(unit: mm)</span></p> <div style="display: flex; justify-content: space-around; align-items: flex-start;"> <div style="text-align: center;">  <p>48.1</p> <p>30.4</p> </div> <div style="text-align: center;">  <p>Panel thickness: Max. 6mm</p> <p>29.4</p> <p>28.4</p> <p>39.4</p> <p>A</p> <p>B</p> </div> <div style="border: 1px solid black; padding: 5px;"> <table border="1"> <thead> <tr> <th></th> <th>A</th> <th>B</th> </tr> </thead> <tbody> <tr> <td>Singular type</td> <td>48.5</td> <td>27.0</td> </tr> <tr> <td>Modular type</td> <td>46.5</td> <td>25.0</td> </tr> </tbody> </table> </div> </div> <p style="text-align: right;">※For panel cut-out dimensions, please refer to page A-78.</p>									A	B	Singular type	48.5	27.0	Modular type	46.5	25.0
	A	B														
Singular type	48.5	27.0														
Modular type	46.5	25.0														

# Ø22/25 Selector Switches

Type	Appearance	Operating position	Model	Contact block		LED block										
				A contact	B contact	AC/DC voltage	AC voltage									
Standard long lever, extended		2-position, spring return	 <b>S2SR-S2</b> □A(M)	1	—	—	—									
			<b>S2SR-S2</b> □2A(M)	2	—											
			<b>S2SR-S2</b> □B(M)	—	1											
			<b>S2SR-S2</b> □2B(M)	—	2											
			<b>S2SR-S2</b> □AB(M)	1	1											
		2-position, maintained		<b>S2SR-S4</b> □A(M)	1			—								
				<b>S2SR-S4</b> □2A(M)	2			—								
				<b>S2SR-S4</b> □B(M)	—			1								
				<b>S2SR-S4</b> □2B(M)	—			2								
		3-position, spring return two-way		<b>S2SR-S6K</b> □2A(M)	2			—								
				<b>S2SR-S6K</b> □2B(M)	—			2								
				<b>S2SR-S6K</b> □AB(M)	1			1								
		3-position, maintained		<b>S2SR-S8K</b> □2A(M)	2			—								
				<b>S2SR-S8K</b> □2B(M)	—			2								
				<b>S2SR-S8K</b> □AB(M)	1			1								
		3-position, spring return from right		<b>S2SR-SBK</b> □2A(M)	2			—								
				<b>S2SR-SBK</b> □2B(M)	—			2								
				<b>S2SR-SBK</b> □AB(M)	1			1								
		3-position, spring return from left		<b>S2SR-SDK</b> □2A(M)	2			—								
				<b>S2SR-SDK</b> □2B(M)	—			2								
				<b>S2SR-SDK</b> □AB(M)	1			1								
<p>※□ indicates color: <b>W</b>, <b>R</b></p> <p>※The M in the model name indicates modular type contact block. Models without M are singular contact block.</p> <p>※The control unit, contact blocks, LED blocks are sold separately. (control unit: bold letters, contact block: regular letters)</p> <p>※Connect up to 2 contact blocks. Connect the contact blocks only on the right and left side slots. It will not operate if connected to the center slot.</p>																
<p>• Dimensions <span style="float: right;">(unit: mm)</span></p> <div style="display: flex; justify-content: space-around; align-items: flex-start;"> <div style="text-align: center;">  </div> <div style="text-align: center;">  </div> <div style="text-align: right;"> <table border="1" style="border-collapse: collapse;"> <thead> <tr> <th></th> <th>A</th> <th>B</th> </tr> </thead> <tbody> <tr> <td>Singular type</td> <td>48.5</td> <td>27.0</td> </tr> <tr> <td>Modular type</td> <td>46.5</td> <td>25.0</td> </tr> </tbody> </table> </div> </div> <p style="text-align: right;">※For panel cut-out dimensions, please refer to page A-78.</p>									A	B	Singular type	48.5	27.0	Modular type	46.5	25.0
	A	B														
Singular type	48.5	27.0														
Modular type	46.5	25.0														

Type	Appearance	Operating position	Model	Contact block		LED block		
				A contact	B contact	AC/DC voltage	AC voltage	
Standard long lever, extended		3-position, spring return two-way	 <b>S2SR-S6</b> □2A(M)	2	—	—	—	
			<b>S2SR-S6</b> □2B(M)	—	2			
			<b>S2SR-S6</b> □AB(M)	1	1			
		3-position, maintained		<b>S2SR-S8</b> □2A(M)	2			—
				<b>S2SR-S8</b> □2B(M)	—			2
				<b>S2SR-S8</b> □AB(M)	1			1
		3-position, spring return from right		<b>S2SR-SB</b> □2A(M)	2			—
				<b>S2SR-SB</b> □2B(M)	—			2
				<b>S2SR-SB</b> □AB(M)	1			1
		3-position, spring return from left		<b>S2SR-SD</b> □2A(M)	2			—
				<b>S2SR-SD</b> □2B(M)	—			2
				<b>S2SR-SD</b> □AB(M)	1			1

※□ indicates color: **W**, **R**

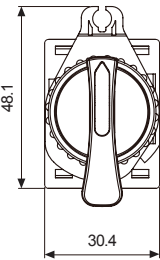
※The M in the model name indicates modular type contact block. Models without M are singular contact block.

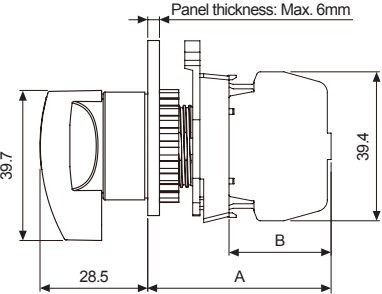
※The control unit, contact blocks, LED blocks are sold separately.  
(control unit: bold letters, contact block: regular letters)

※Connect up to 2 contact blocks. Connect the contact blocks only on the right and left side slots.  
It will not operate if connected to the center slot.

• Dimensions

(unit: mm)




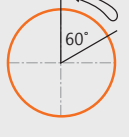
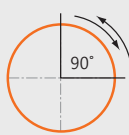

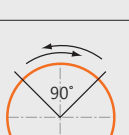
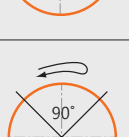


	A	B
Singular type	48.5	27.0
Modular type	46.5	25.0

※For panel cut-out dimensions, please refer to page A-78.

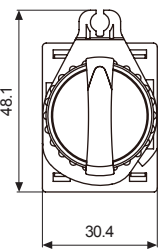


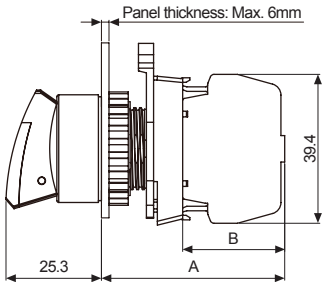
## Ø22/25 Round Shark Lever Selector Switches (S2SRN Series)

Type	Appearance	Operating position		Model	Contact block		LED block	
					A contact	B contact	AC/DC voltage	AC voltage
Short shark-head lever, extended	 <p>S2SRN-S1AW□</p>	2-position, spring return		S2SRN-S1A□A(M)	1	—	—	—
				S2SRN-S1A□2A(M)	2	—		
				S2SRN-S1A□B(M)	—	1		
				S2SRN-S1A□2B(M)	—	2		
				S2SRN-S1A□AB(M)	1	1		
		2-position, maintained		S2SRN-S3A□A(M)	1	—		
				S2SRN-S3A□2A(M)	2	—		
				S2SRN-S3A□B(M)	—	1		
				S2SRN-S3A□2B(M)	—	2		
				S2SRN-S3A□AB(M)	1	1		
		2-position, spring return		S2SRN-S1B□A(M)	1	—		
				S2SRN-S1B□2A(M)	2	—		
				S2SRN-S1B□B(M)	—	1		
				S2SRN-S1B□2B(M)	—	2		
				S2SRN-S1B□AB(M)	1	1		
		2-position, maintained		S2SRN-S3B□A(M)	1	—		
				S2SRN-S3B□2A(M)	2	—		
				S2SRN-S3B□B(M)	—	1		
				S2SRN-S3B□2B(M)	—	2		
				S2SRN-S3B□AB(M)	1	1		
2-position, spring return		S2SRN-S1□A(M)	1	—				
		S2SRN-S1□2A(M)	2	—				
		S2SRN-S1□B(M)	—	1				
		S2SRN-S1□2B(M)	—	2				
		S2SRN-S1□AB(M)	1	1				

※□ indicates color: **W**, **R**  
 ※The M in the model name indicates modular type contact block. Models without M are singular contact block.  
 ※The control unit and contact blocks are sold separately.  
 (control unit: bold letters, contact block: regular letters)  
 ※Connect up to 2 contact blocks. Connect the contact blocks only on the right and left side slots.  
 It will not operate if connected to the center slot.

• Dimensions (unit: mm)





	A	B
Singular type	48.5	27.0
Modular type	46.5	25.0

※For panel cut-out dimensions, please refer to page A-78.

Type	Appearance	Operating position	Model	Contact block		LED block	
				A contact	B contact	AC/DC voltage	AC voltage
Short shark-head lever, extended		3-position, spring return two-way	<b>S2SRN-S5K</b> □ 2A(M)	2	—	—	—
			<b>S2SRN-S5K</b> □ 2B(M)	—	2		
			<b>S2SRN-S5K</b> □ AB(M)	1	1		
		3-position, maintained	<b>S2SRN-S7K</b> □ 2A(M)	2	—		
			<b>S2SRN-S7K</b> □ 2B(M)	—	2		
			<b>S2SRN-S7K</b> □ AB(M)	1	1		
		3-position, spring return from right	<b>S2SRN-SAK</b> □ 2A(M)	2	—		
			<b>S2SRN-SAK</b> □ 2B(M)	—	2		
			<b>S2SRN-SAK</b> □ AB(M)	1	1		
		3-position, spring return from left	<b>S2SRN-SCK</b> □ 2A(M)	2	—		
			<b>S2SRN-SCK</b> □ 2B(M)	—	2		
			<b>S2SRN-SCK</b> □ AB(M)	1	1		
		3-position, spring return two-way	<b>S2SRN-S5</b> □2A(M)	2	—		
			<b>S2SRN-S5</b> □2B(M)	—	2		
			<b>S2SRN-S5</b> □AB(M)	1	1		
		3-position, maintained	<b>S2SRN-S7</b> □2A(M)	2	—		
			<b>S2SRN-S7</b> □2B(M)	—	2		
			<b>S2SRN-S7</b> □AB(M)	1	1		
		3-position, spring return from right	<b>S2SRN-SA</b> □2A(M)	2	—		
			<b>S2SRN-SA</b> □2B(M)	—	2		
			<b>S2SRN-SA</b> □AB(M)	1	1		
		3-position, spring return from left	<b>S2SRN-SC</b> □2A(M)	2	—		
			<b>S2SRN-SC</b> □2B(M)	—	2		
			<b>S2SRN-SC</b> □AB(M)	1	1		

※□ indicates color: **W**, **R**

※The M in the model name indicates modular type contact block. Models without M are singular contact block.

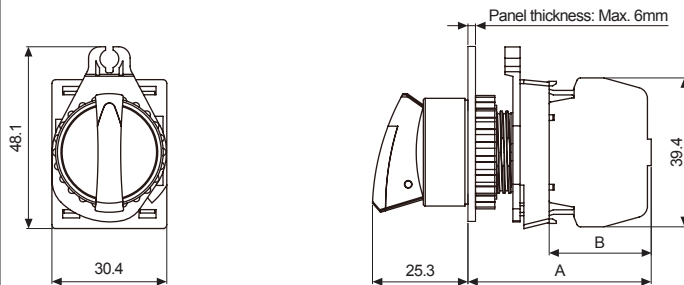
※The control unit and contact blocks are sold separately.

(control unit: bold letters, contact block: regular letters)

※Connect up to 2 contact blocks. Connect the contact blocks only on the right and left side slots. It will not operate if connected to the center slot.

• Dimensions



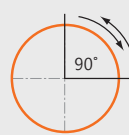

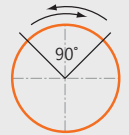

(unit: mm)



	A	B
Singular type	48.5	27.0
Modular type	46.5	25.0

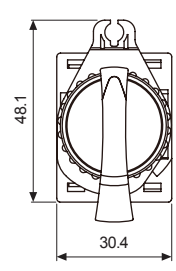
※For panel cut-out dimensions, please refer to page A-78.

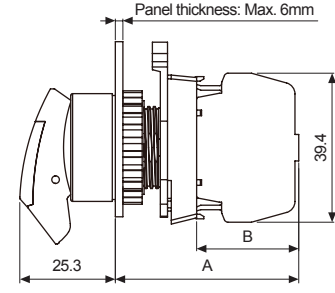
# Ø22/25 Selector Switches

Type	Appearance	Operating position		Model	Contact block		LED block	
					A contact	B contact	AC/DC voltage	AC voltage
Long shark-head lever, extended	 S2SRN-S2AR□	2-position, spring return		S2SRN-S2A□A(M)	1	—	—	—
				S2SRN-S2A□2A(M)	2	—		
				S2SRN-S2A□B(M)	—	1		
				S2SRN-S2A□2B(M)	—	2		
				S2SRN-S2A□AB(M)	1	1		
		2-position, maintained		S2SRN-S4A□A(M)	1	—		
				S2SRN-S4A□2A(M)	2	—		
				S2SRN-S4A□B(M)	—	1		
				S2SRN-S4A□2B(M)	—	2		
				S2SRN-S4A□AB(M)	1	1		
		2-position, spring return		S2SRN-S2B□A(M)	1	—		
				S2SRN-S2B□2A(M)	2	—		
				S2SRN-S2B□B(M)	—	1		
				S2SRN-S2B□2B(M)	—	2		
				S2SRN-S2B□AB(M)	1	1		
		2-position, maintained		S2SRN-S4B□A(M)	1	—		
				S2SRN-S4B□2A(M)	2	—		
				S2SRN-S4B□B(M)	—	1		
				S2SRN-S4B□2B(M)	—	2		
				S2SRN-S4B□AB(M)	1	1		
2-position, spring return		S2SRN-S2□A(M)	1	—				
		S2SRN-S2□2A(M)	2	—				
		S2SRN-S2□B(M)	—	1				
		S2SRN-S2□2B(M)	—	2				
		S2SRN-S2□AB(M)	1	1				

※□ indicates color: **W**, **R**  
 ※The M in the model name indicates modular type contact block. Models without M are singular contact block.  
 ※The control unit and contact blocks are sold separately.  
 (control unit: bold letters, contact block: regular letters)  
 ※Connect up to 2 contact blocks. Connect the contact blocks only on the right and left side slots.  
 It will not operate if connected to the center slot.


• Dimensions (unit: mm)





	A	B
Singular type	48.5	27.0
Modular type	46.5	25.0

※For panel cut-out dimensions, please refer to page A-78.

Type	Appearance	Operating position	Model	Contact block		LED block	
				A contact	B contact	AC/DC voltage	AC voltage
Long shark-head lever, extended		3-position, spring return two-way	S2SRN-S6K□2A(M)	2	—	—	—
			S2SRN-S6K□2B(M)	—	2		
			S2SRN-S6K□AB(M)	1	1		
		3-position, maintained	S2SRN-S8K□2A(M)	2	—		
			S2SRN-S8K□2B(M)	—	2		
			S2SRN-S8K□AB(M)	1	1		
		3-position, spring return from right	S2SRN-SBK□2A(M)	2	—		
			S2SRN-SBK□2B(M)	—	2		
			S2SRN-SBK□AB(M)	1	1		
		3-position, spring return from left	S2SRN-SDK□2A(M)	2	—		
			S2SRN-SDK□2B(M)	—	2		
			S2SRN-SDK□AB(M)	1	1		
		3-position, spring return two-way	S2SRN-S6□2A(M)	2	—		
			S2SRN-S6□2B(M)	—	2		
			S2SRN-S6□AB(M)	1	1		
		3-position, maintained	S2SRN-S8□2A(M)	2	—		
			S2SRN-S8□2B(M)	—	2		
			S2SRN-S8□AB(M)	1	1		
		3-position, spring return from right	S2SRN-SB□2A(M)	2	—		
			S2SRN-SB□2B(M)	—	2		
			S2SRN-SB□AB(M)	1	1		
		3-position, spring return from left	S2SRN-SD□2A(M)	2	—		
			S2SRN-SD□2B(M)	—	2		
			S2SRN-SD□AB(M)	1	1		

※□ indicates color: **W**, **R**

※The M in the model name indicates modular type contact block. Models without M are singular contact block.

※The control unit and contact blocks are sold separately.

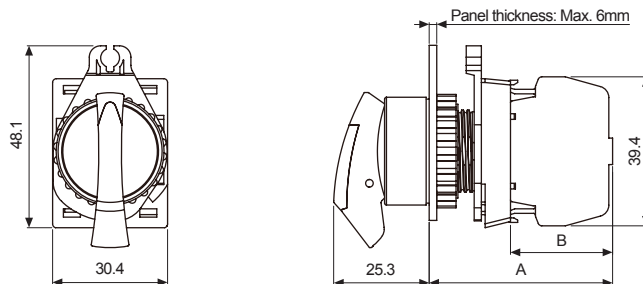
(control unit: bold letters, contact block: regular letters)

※Connect up to 2 contact blocks. Connect the contact blocks only on the right and left side slots.

It will not operate if connected to the center slot.

• Dimensions

(unit: mm)



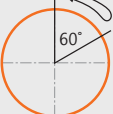
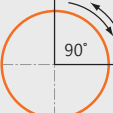

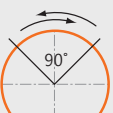



	A	B
Singular type	48.5	27.0
Modular type	46.5	25.0

※For panel cut-out dimensions, please refer to page A-78.

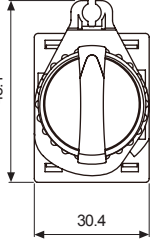


# Ø22/25 Selector Switches

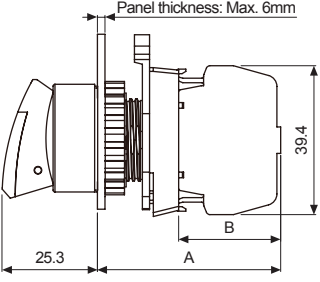
Type	Appearance	Operating position		Model	Contact block		LED block	
					A contact	B contact	AC/DC voltage	AC voltage
Short shark-head lever, extended (illuminated)	 S2SRN-L1AR□  	2-position, spring return		S2SRN-L1A□AL(M)	1	—	—	1
				S2SRN-L1A□2AL(M)	2	—		
				S2SRN-L1A□BL(M)	—	1		
				S2SRN-L1A□2BL(M)	—	2		
		2-position, maintained		S2SRN-L3A□AL(M)	1	—		
				S2SRN-L3A□2AL(M)	2	—		
				S2SRN-L3A□BL(M)	—	1		
				S2SRN-L3A□2BL(M)	—	2		
		2-position, spring return		S2SRN-L1B□AL(M)	1	—		
				S2SRN-L1B□2AL(M)	2	—		
				S2SRN-L1B□BL(M)	—	1		
				S2SRN-L1B□2BL(M)	—	2		
		2-position, maintained		S2SRN-L3B□AL(M)	1	—		
				S2SRN-L3B□2AL(M)	2	—		
				S2SRN-L3B□BL(M)	—	1		
				S2SRN-L3B□2BL(M)	—	2		
		2-position, spring return		S2SRN-L1□AL(M)	1	—		
				S2SRN-L1□2AL(M)	2	—		
				S2SRN-L1□BL(M)	—	1		
				S2SRN-L1□2BL(M)	—	2		
				S2SRN-L1□ABL(M)	1	1		

※□ indicates color: **R**, **B**, **G**, **Y**  
 ※The M in the model name indicates modular type contact block. Models without M are singular contact block.  
 ※The control unit, contact blocks, LED blocks are sold separately.  
 (control unit: bold letters, contact and LED block: regular letters)  
 ※The LED color is the same as the control unit.  
 ※Connect up to 2 contact blocks. Connect the contact blocks only on the right and left side slots.  
 It will not operate if connected to the center slot.

• Dimensions (unit: mm)



48.1  
30.4



Panel thickness: Max. 6mm  
25.3  
39.4  
A  
B

	A	B
Singular type	48.5	27.0
Modular type	46.5	25.0

※For panel cut-out dimensions, please refer to page A-78.



Control Switches

Ø16

Ø22/25

Ø30

□30

Push Button Switches

Round

Square

Rectangular

Selector Switches

Round

Square

Rectangular

Key Selector Switches

Round

Square

Rectangular

Double Push Button Switches








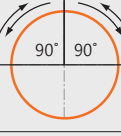

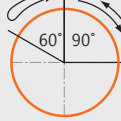
Mushroom-head Push Button Switches

Emergency Switches

Pilot Lights

Accessories

Buzzers

Type	Appearance	Operating position	Model	Contact block		LED block	
				A contact	B contact	AC/DC voltage	AC voltage
Short shark-head lever, extended (illuminated)	 S2SRN-L1AR□  	3-position, spring return two-way	 S2SRN-L5K□2AL(M)	2	—	—	1
			S2SRN-L5K□2BL(M)	—	2		
			S2SRN-L5K□ABL(M)	1	1		
		3-position, maintained	 S2SRN-L7K□2AL(M)	2	—		
			S2SRN-L7K□2BL(M)	—	2		
			S2SRN-L7K□ABL(M)	1	1		
		3-position, spring return from right	 S2SRN-LAK□2AL(M)	2	—		
			S2SRN-LAK□2BL(M)	—	2		
			S2SRN-LAK□ABL(M)	1	1		
		3-position, spring return from left	 S2SRN-LCK□2AL(M)	2	—		
			S2SRN-LCK□2BL(M)	—	2		
			S2SRN-LCK□ABL(M)	1	1		
		3-position, spring return two-way	 S2SRN-L5□2AL(M)	2	—		
			S2SRN-L5□2BL(M)	—	2		
			S2SRN-L5□ABL(M)	1	1		
		3-position, maintained	 S2SRN-L7□2AL(M)	2	—		
			S2SRN-L7□2BL(M)	—	2		
			S2SRN-L7□ABL(M)	1	1		
		3-position, spring return from right	 S2SRN-LA□2AL(M)	2	—		
			S2SRN-LA□2BL(M)	—	2		
			S2SRN-LA□ABL(M)	1	1		
		3-position, spring return from left	 S2SRN-LC□2AL(M)	2	—		
			S2SRN-LC□2BL(M)	—	2		
			S2SRN-LC□ABL(M)	1	1		

※□ indicates color: **R**, **B**, **G**, **Y**

※The M in the model name indicates modular type contact block. Models without M are singular contact block.

※The control unit, contact blocks, LED blocks are sold separately.

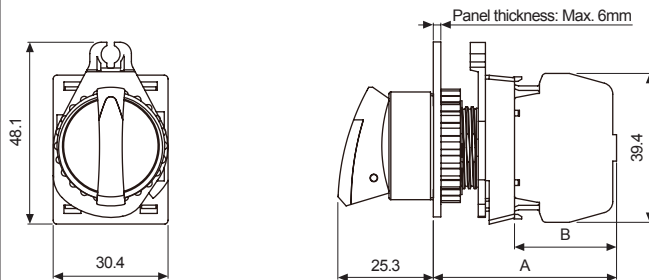
(control unit: bold letters, contact and LED block: regular letters)

※The LED color is the same as the control unit.

※Connect up to 2 contact blocks. Connect the contact blocks only on the right and left side slots. It will not operate if connected to the center slot.

• Dimensions

(unit: mm)


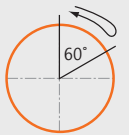
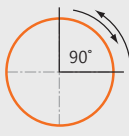


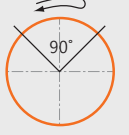


	A	B
Singular type	48.5	27.0
Modular type	46.5	25.0

※For panel cut-out dimensions, please refer to page A-78.



# Ø22/25 Selector Switches

Type	Appearance	Operating position	Model	Contact block		LED block	
				A contact	B contact	AC/DC voltage	AC voltage
Short shark-head lever, extended (illuminated)	 <p>S2SRN-L1AR□</p>	2-position, spring return 	S2SRN-L1A□AD(M)	1	—	1	—
			S2SRN-L1A□2AD(M)	2	—		
			S2SRN-L1A□BD(M)	—	1		
			S2SRN-L1A□2BD(M)	—	2		
			S2SRN-L1A□ABD(M)	1	1		
		2-position, maintained 	S2SRN-L3A□AD(M)	1	—		
			S2SRN-L3A□2AD(M)	2	—		
			S2SRN-L3A□BD(M)	—	1		
			S2SRN-L3A□2BD(M)	—	2		
			S2SRN-L3A□ABD(M)	1	1		
		2-position, spring return 	S2SRN-L1B□AD(M)	1	—		
			S2SRN-L1B□2AD(M)	2	—		
			S2SRN-L1B□BD(M)	—	1		
			S2SRN-L1B□2BD(M)	—	2		
			S2SRN-L1B□ABD(M)	1	1		
		2-position, maintained 	S2SRN-L3B□AD(M)	1	—		
			S2SRN-L3B□2AD(M)	2	—		
			S2SRN-L3B□BD(M)	—	1		
			S2SRN-L3B□2BD(M)	—	2		
			S2SRN-L3B□ABD(M)	1	1		
		2-position, spring return 	S2SRN-L1□AD(M)	1	—		
			S2SRN-L1□2AD(M)	2	—		
			S2SRN-L1□BD(M)	—	1		
			S2SRN-L1□2BD(M)	—	2		
S2SRN-L1□ABD(M)	1		1				

※□ indicates color: **R**, **B**, **G**, **Y**

※The M in the model name indicates modular type contact block. Models without M are singular contact block.

※The control unit, contact blocks, LED blocks are sold separately.

(control unit: bold letters, contact and LED block: regular letters)

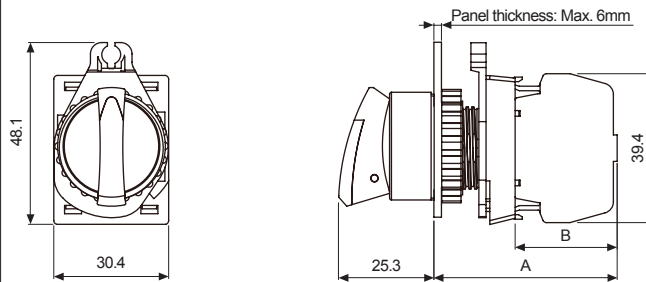
※The LED color is the same as the control unit.

※Connect up to 2 contact blocks. Connect the contact blocks only on the right and left side slots.

It will not operate if connected to the center slot.

• Dimensions

(unit: mm)



	A	B
Singular type	48.5	27.0
Modular type	46.5	25.0

※For panel cut-out dimensions, please refer to page A-78.



Control Switches

Ø16

Ø22/25

Ø30

□30

Push Button Switches

Round

Square

Rectangular

Selector Switches

Round

Square

Rectangular

Key Selector Switches

Round

Square

Rectangular

Double Push Button Switches





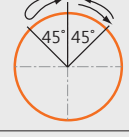
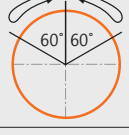
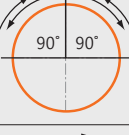
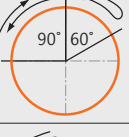

Mushroom-head Push Button Switches

Emergency Switches

Pilot Lights

Accessories

Buzzers

Type	Appearance	Operating position	Model	Contact block		LED block	
				A contact	B contact	AC/DC voltage	AC voltage
Short shark-head lever, extended (illuminated)	 <p>S2SRN-L1AR□</p>	3-position, spring return two-way	 <b>S2SRN-L5K□2AD(M)</b>	2	—	1	—
			<b>S2SRN-L5K□2BD(M)</b>	—	2		
			<b>S2SRN-L5K□ABD(M)</b>	1	1		
		3-position, maintained	 <b>S2SRN-L7K□2AD(M)</b>	2	—		
			<b>S2SRN-L7K□2BD(M)</b>	—	2		
			<b>S2SRN-L7K□ABD(M)</b>	1	1		
		3-position, spring return from right	 <b>S2SRN-LAK□2AD(M)</b>	2	—		
			<b>S2SRN-LAK□2BD(M)</b>	—	2		
			<b>S2SRN-LAK□ABD(M)</b>	1	1		
		3-position, spring return from left	 <b>S2SRN-LCK□2AD(M)</b>	2	—		
			<b>S2SRN-LCK□2BD(M)</b>	—	2		
			<b>S2SRN-LCK□ABD(M)</b>	1	1		
		3-position, spring return two-way	 <b>S2SRN-L5□2AD(M)</b>	2	—		
			<b>S2SRN-L5□2BD(M)</b>	—	2		
			<b>S2SRN-L5□ABD(M)</b>	1	1		
		3-position, maintained	 <b>S2SRN-L7□2AD(M)</b>	2	—		
			<b>S2SRN-L7□2BD(M)</b>	—	2		
			<b>S2SRN-L7□ABD(M)</b>	1	1		
		3-position, spring return from right	 <b>S2SRN-LA□2AD(M)</b>	2	—		
			<b>S2SRN-LA□2BD(M)</b>	—	2		
			<b>S2SRN-LA□ABD(M)</b>	1	1		
		3-position, spring return from left	 <b>S2SRN-LC□2AD(M)</b>	2	—		
			<b>S2SRN-LC□2BD(M)</b>	—	2		
			<b>S2SRN-LC□ABD(M)</b>	1	1		

□ indicates color: **R**, **B**, **G**, **Y**

※The M in the model name indicates modular type contact block. Models without M are singular contact block.

※The control unit, contact blocks, LED blocks are sold separately.

(control unit: bold letters, contact and LED block: regular letters)

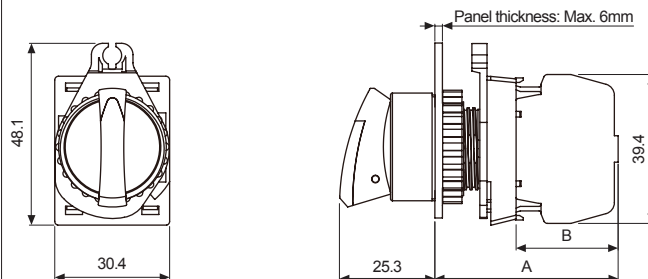
※The LED color is the same as the control unit.

※Connect up to 2 contact blocks. Connect the contact blocks only on the right and left side slots.

It will not operate if connected to the center slot.

• Dimensions

(unit: mm)



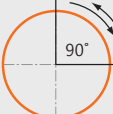



	A	B
Singular type	48.5	27.0
Modular type	46.5	25.0

※For panel cut-out dimensions, please refer to page A-78.



# Ø22/25 Selector Switches

Type	Appearance	Operating position		Model	Contact block		LED block					
					A contact	B contact	AC/DC voltage	AC voltage				
Long shark-head lever, extended (illuminated)	 S2SRN-L2AR□  	2-position, spring return		S2SRN-L2A□AL(M)	1	—	—	1				
				S2SRN-L2A□2AL(M)	2	—						
				S2SRN-L2A□BL(M)	—	1						
				S2SRN-L2A□2BL(M)	—	2						
				S2SRN-L2A□ABL(M)	1	1						
		2-position, maintained		S2SRN-L4A□AL(M)	1	—						
				S2SRN-L4A□2AL(M)	2	—						
				S2SRN-L4A□BL(M)	—	1						
				S2SRN-L4A□2BL(M)	—	2						
		2-position, spring return		S2SRN-L2B□AL(M)	1	—						
				S2SRN-L2B□2AL(M)	2	—						
				S2SRN-L2B□BL(M)	—	1						
				S2SRN-L2B□2BL(M)	—	2						
		2-position, maintained		S2SRN-L4B□AL(M)	1	—						
				S2SRN-L4B□2AL(M)	2	—						
				S2SRN-L4B□BL(M)	—	1						
				S2SRN-L4B□2BL(M)	—	2						
		2-position, spring return		S2SRN-L2□AL(M)	1	—						
				S2SRN-L2□2AL(M)	2	—						
				S2SRN-L2□BL(M)	—	1						
				S2SRN-L2□2BL(M)	—	2						
						S2SRN-L2□ABL(M)			1	1		

※□ indicates color: **R**, **B**, **G**, **Y**

※The M in the model name indicates modular type contact block. Models without M are singular contact block.

※The control unit, contact blocks, LED blocks are sold separately.

(control unit: bold letters, contact and LED block: regular letters)

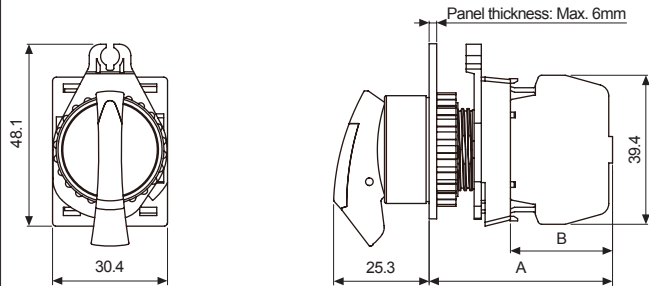
※The LED color is the same as the control unit.

※Connect up to 2 contact blocks. Connect the contact blocks only on the right and left side slots.

It will not operate if connected to the center slot.

• Dimensions

(unit: mm)



	A	B
Singular type	48.5	27.0
Modular type	46.5	25.0

※For panel cut-out dimensions, please refer to page A-78.



# Ø22/25 Selector Switches

## Control Switches

Ø16

Ø22/25

Ø30

□30

## Push Button Switches

Round

Square

Rectangular

## Selector Switches

Round

Square

Rectangular

## Key Selector Switches

Round

Square

Rectangular

## Double Push Button Switches








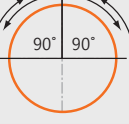
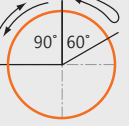
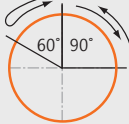
## Mushroom-head Push Button Switches

## Emergency Switches

## Pilot Lights

## Accessories

## Buzzers

Type	Appearance	Operating position		Model	Contact block		LED block	
					A contact	B contact	AC/DC voltage	AC voltage
Long shark-head lever, extended (illuminated)	 S2SRN-L2AR□ 	3-position, spring return two-way		S2SRN-L6K□2AL(M)	2	—	—	1
				S2SRN-L6K□2BL(M)	—	2		
				S2SRN-L6K□ABL(M)	1	1		
		3-position, maintained		S2SRN-L8K□2AL(M)	2	—		
				S2SRN-L8K□2BL(M)	—	2		
				S2SRN-L8K□ABL(M)	1	1		
		3-position, spring return from right		S2SRN-LBK□2AL(M)	2	—		
				S2SRN-LBK□2BL(M)	—	2		
				S2SRN-LBK□ABL(M)	1	1		
		3-position, spring return from left		S2SRN-LDK□2AL(M)	2	—		
				S2SRN-LDK□2BL(M)	—	2		
				S2SRN-LDK□ABL(M)	1	1		
		3-position, spring return two-way		S2SRN-L6□2AL(M)	2	—		
				S2SRN-L6□2BL(M)	—	2		
				S2SRN-L6□ABL(M)	1	1		
		3-position, maintained		S2SRN-L8□2AL(M)	2	—		
				S2SRN-L8□2BL(M)	—	2		
				S2SRN-L8□ABL(M)	1	1		
		3-position, spring return from right		S2SRN-LB□2AL(M)	2	—		
				S2SRN-LB□2BL(M)	—	2		
				S2SRN-LB□ABL(M)	1	1		
		3-position, spring return from left		S2SRN-LD□2AL(M)	2	—		
				S2SRN-LD□2BL(M)	—	2		
				S2SRN-LD□ABL(M)	1	1		

※□ indicates color: **R**, **B**, **G**, **Y**

※The M in the model name indicates modular type contact block. Models without M are singular contact block.

※The control unit, contact blocks, LED blocks are sold separately.

(control unit: bold letters, contact and LED block: regular letters)

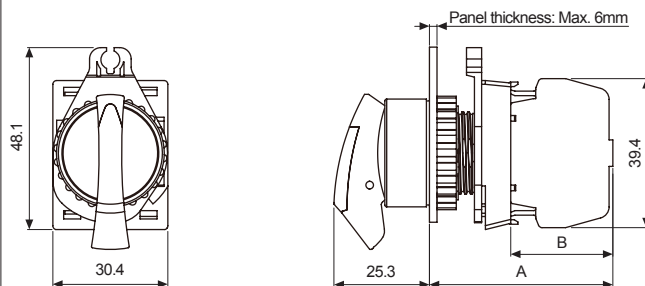
※The LED color is the same as the control unit.

※Connect up to 2 contact blocks. Connect the contact blocks only on the right and left side slots.

It will not operate if connected to the center slot.

### • Dimensions

(unit: mm)



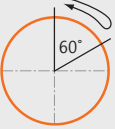
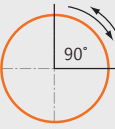





	A	B
Singular type	48.5	27.0
Modular type	46.5	25.0

※For panel cut-out dimensions, please refer to page A-78.



# Ø22/25 Selector Switches

Type	Appearance	Operating position	Model	Contact block		LED block	
				A contact	B contact	AC/DC voltage	AC voltage
Long shark-head lever, extended (illuminated)	 S2SRN-L2AR□  	2-position, spring return 	S2SRN-L2A□AD(M)	1	—	1	—
			S2SRN-L2A□2AD(M)	2	—		
			S2SRN-L2A□BD(M)	—	1		
			S2SRN-L2A□2BD(M)	—	2		
			S2SRN-L2A□ABD(M)	1	1		
		2-position, maintained 	S2SRN-L4A□AD(M)	1	—		
			S2SRN-L4A□2AD(M)	2	—		
			S2SRN-L4A□BD(M)	—	1		
			S2SRN-L4A□2BD(M)	—	2		
			S2SRN-L4A□ABD(M)	1	1		
		2-position, spring return 	S2SRN-L2B□AD(M)	1	—		
			S2SRN-L2B□2AD(M)	2	—		
			S2SRN-L2B□BD(M)	—	1		
			S2SRN-L2B□2BD(M)	—	2		
			S2SRN-L2B□ABD(M)	1	1		
		2-position, maintained 	S2SRN-L4B□AD(M)	1	—		
			S2SRN-L4B□2AD(M)	2	—		
			S2SRN-L4B□BD(M)	—	1		
			S2SRN-L4B□2BD(M)	—	2		
			S2SRN-L4B□ABD(M)	1	1		
		2-position, spring return 	S2SRN-L2□AD(M)	1	—		
			S2SRN-L2□2AD(M)	2	—		
			S2SRN-L2□BD(M)	—	1		
			S2SRN-L2□2BD(M)	—	2		
S2SRN-L2□ABD(M)	1		1				

※□ indicates color: **R**, **B**, **G**, **Y**

※The M in the model name indicates modular type contact block. Models without M are singular contact block.

※The control unit, contact blocks, LED blocks are sold separately.

(control unit: bold letters, contact and LED block: regular letters)

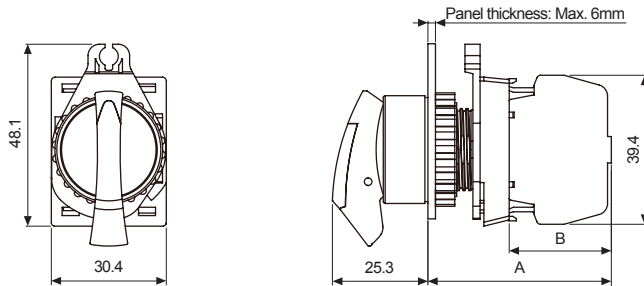
※The LED color is the same as the control unit.

※Connect up to 2 contact blocks. Connect the contact blocks only on the right and left side slots.

It will not operate if connected to the center slot.

• Dimensions

(unit: mm)



	A	B
Singular type	48.5	27.0
Modular type	46.5	25.0

※For panel cut-out dimensions, please refer to page A-78.



Control Switches

Ø16

Ø22/25

Ø30

□30

Push Button Switches

Round

Square

Rectangular

Selector Switches

Round

Square

Rectangular

Key Selector Switches

Round

Square

Rectangular

Double Push Button Switches



Mushroom-head Push Button Switches

Emergency Switches

Pilot Lights

Accessories

Buzzers

Type	Appearance	Operating position	Model	Contact block		LED block	
				A contact	B contact	AC/DC voltage	AC voltage
Long shark-head lever, extended (illuminated)	 <p>S2SRN-L2AR□</p>	3-position, spring return two-way	 S2SRN-L6K□2AD(M)	2	—	1	—
			S2SRN-L6K□2BD(M)	—	2		
			S2SRN-L6K□ABD(M)	1	1		
		3-position, maintained	S2SRN-L8K□2AD(M)	2	—		
			S2SRN-L8K□2BD(M)	—	2		
			S2SRN-L8K□ABD(M)	1	1		
		3-position, spring return from right	S2SRN-LBK□2AD(M)	2	—		
			S2SRN-LBK□2BD(M)	—	2		
			S2SRN-LBK□ABD(M)	1	1		
		3-position, spring return from left	S2SRN-LDK□2AD(M)	2	—		
			S2SRN-LDK□2BD(M)	—	2		
			S2SRN-LDK□ABD(M)	1	1		
		3-position, spring return two-way	S2SRN-L6□2AD(M)	2	—		
			S2SRN-L6□2BD(M)	—	2		
			S2SRN-L6□ABD(M)	1	1		
		3-position, maintained	S2SRN-L8□2AD(M)	2	—		
			S2SRN-L8□2BD(M)	—	2		
			S2SRN-L8□ABD(M)	1	1		
		3-position, spring return from right	S2SRN-LB□2AD(M)	2	—		
			S2SRN-LB□2BD(M)	—	2		
			S2SRN-LB□ABD(M)	1	1		
		3-position, spring return from left	S2SRN-LD□2AD(M)	2	—		
			S2SRN-LD□2BD(M)	—	2		
			S2SRN-LD□ABD(M)	1	1		

※□ indicates color: **R**, **B**, **G**, **Y**

※The M in the model name indicates modular type contact block. Models without M are singular contact block.

※The control unit, contact blocks, LED blocks are sold separately.

(control unit: bold letters, contact and LED block: regular letters)

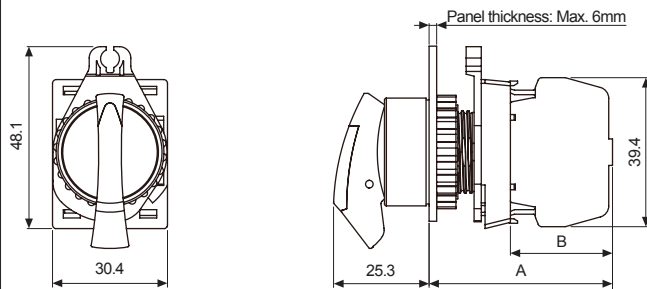
※The LED color is the same as the control unit.

※Connect up to 2 contact blocks. Connect the contact blocks only on the right and left side slots.

It will not operate if connected to the center slot.

• Dimensions

(unit: mm)


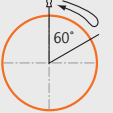



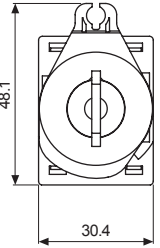
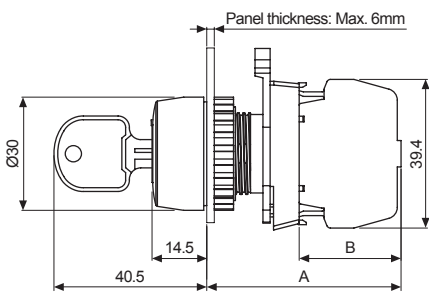


	A	B
Singular type	48.5	27.0
Modular type	46.5	25.0

※For panel cut-out dimensions, please refer to page A-78.

# Ø22/25 Key Selector Switches

## Ø22/25 Round Key Selector Switches (S2KR Series)

Type	Appearance	Operating position		Model	Contact block		LED block										
					A contact	B contact	AC/DC voltage	AC voltage									
Extended	 S2KR-1EK□	2-position, spring return key removal: center		S2KR-1E□A(M)	1	—	—	—									
				S2KR-1E□2A(M)	2	—											
				S2KR-1E□B(M)	—	1											
				S2KR-1E□2B(M)	—	2											
				S2KR-1E□AB(M)	1	1											
		2-position, maintained key removal: right		S2KR-2D□A(M)	1	—											
				S2KR-2D□2A(M)	2	—											
				S2KR-2D□B(M)	—	1											
				S2KR-2D□2B(M)	—	2											
				S2KR-2D□AB(M)	1	1											
		2-position, maintained key removal: center		S2KR-2E□A(M)	1	—											
				S2KR-2E□2A(M)	2	—											
				S2KR-2E□B(M)	—	1											
				S2KR-2E□2B(M)	—	2											
				S2KR-2E□AB(M)	1	1											
		2-position, maintained key removal: center + right		S2KR-2F□A(M)	1	—											
				S2KR-2F□2A(M)	2	—											
				S2KR-2F□B(M)	—	1											
				S2KR-2F□2B(M)	—	2											
				S2KR-2F□AB(M)	1	1											
※□ indicates color: <b>K</b> , <b>S</b> ※The M in the model name indicates modular type contact block. Models without M are singular contact block. ※The control unit, contact blocks, LED blocks are sold separately. (control unit: bold letters, contact block: regular letters) ※Connect up to 2 contact blocks. Connect the contact blocks only on the right and left side slots. It will not operate if connected to the center slot.																	
• Dimensions <span style="float: right;">(unit: mm)</span>																	
																	
		<table border="1"> <thead> <tr> <th></th> <th>A</th> <th>B</th> </tr> </thead> <tbody> <tr> <td>Singular type</td> <td>51.5</td> <td>27.0</td> </tr> <tr> <td>Modular type</td> <td>49.5</td> <td>25.0</td> </tr> </tbody> </table>								A	B	Singular type	51.5	27.0	Modular type	49.5	25.0
	A	B															
Singular type	51.5	27.0															
Modular type	49.5	25.0															
※For panel cut-out dimensions, please refer to page A-78.																	

# Ø22/25 Key Selector Switches

Control Switches

Ø16

Ø22/25

Ø30

□30

Push Button Switches

Round

Square

Rectangular

Selector Switches

Round

Square

Rectangular

Key Selector Switches

Round

Square

Rectangular

Double Push Button Switches


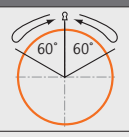
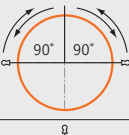
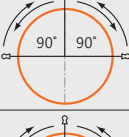
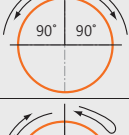
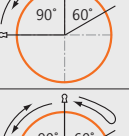
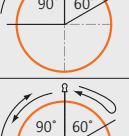
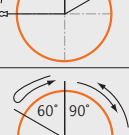
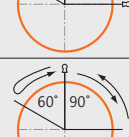
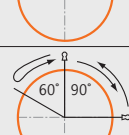

Mushroom-head Push Button Switches

Emergency Switches

Pilot Lights

Accessories

Buzzers

Type	Appearance	Operating position	Model	Contact block		LED block	
				A contact	B contact	AC/DC voltage	AC voltage
Extended		3-position, spring return two-way key removal: center 	S2KR-3E□2A(M)	2	—	—	—
			S2KR-3E□2B(M)	—	2		
			S2KR-3E□AB(M)	1	1		
		3-position, maintained key removal: left + right 	S2KR-4B□2A(M)	2	—		
			S2KR-4B□2B(M)	—	2		
			S2KR-4B□AB(M)	1	1		
		3-position, maintained key removal: left+center + right 	S2KR-4C□2A(M)	2	—		
			S2KR-4C□2B(M)	—	2		
			S2KR-4C□AB(M)	1	1		
		3-position, maintained key removal: center 	S2KR-4E□2A(M)	2	—		
			S2KR-4E□2B(M)	—	2		
			S2KR-4E□AB(M)	1	1		
		3-position, spring return from right key removal: left 	S2KR-5A□2A(M)	2	—		
			S2KR-5A□2B(M)	—	2		
			S2KR-5A□AB(M)	1	1		
		3-position, spring return from right key removal: center 	S2KR-5E□2A(M)	2	—		
			S2KR-5E□2B(M)	—	2		
			S2KR-5E□AB(M)	1	1		
		3-position, spring return from right key removal: left+center 	S2KR-5G□2A(M)	2	—		
			S2KR-5G□2B(M)	—	2		
			S2KR-5G□AB(M)	1	1		
		3-position, spring return from left key removal: right 	S2KR-6D□2A(M)	2	—		
			S2KR-6D□2B(M)	—	2		
			S2KR-6D□AB(M)	1	1		
3-position, spring return from left key removal: center 	S2KR-6E□2A(M)	2	—				
	S2KR-6E□2B(M)	—	2				
	S2KR-6E□AB(M)	1	1				
3-position, spring return from left key removal: center + right 	S2KR-6F□2A(M)	2	—				
	S2KR-6F□2B(M)	—	2				
	S2KR-6F□AB(M)	1	1				

※□ indicates color: **K**, **S**

※The M in the model name indicates modular type contact block. Models without M are singular contact block.

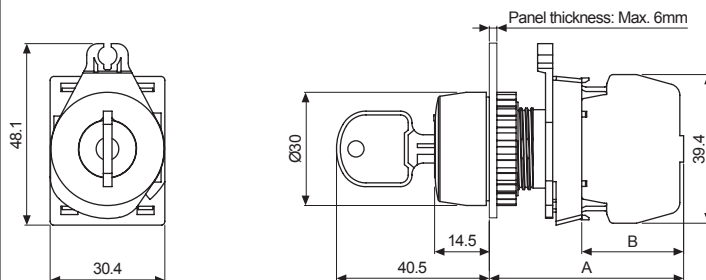
※The control unit, contact blocks, LED blocks are sold separately.

(control unit: bold letters, contact block: regular letters)

※Connect up to 2 contact blocks. Connect the contact blocks only on the right and left side slots. It will not operate if connected to the center slot.

• Dimensions


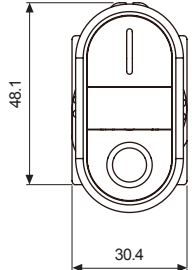
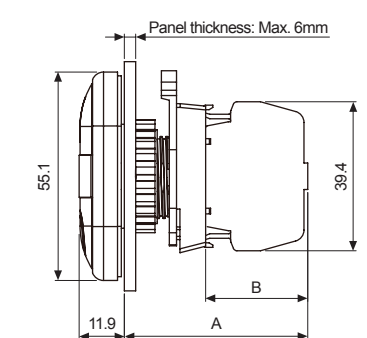
(unit: mm)




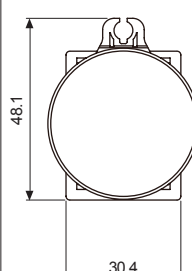
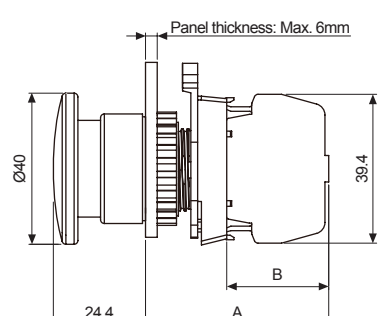
	A	B
Singular type	51.5	27.0
Modular type	49.5	25.0

※For panel cut-out dimensions, please refer to page A-78.


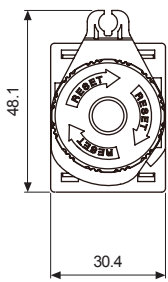
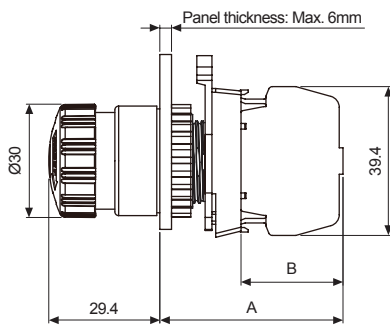
**Ø22/25 Double Push Button Switches (S2TR Series)**


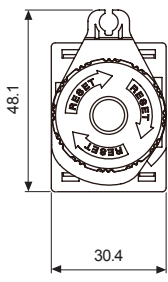
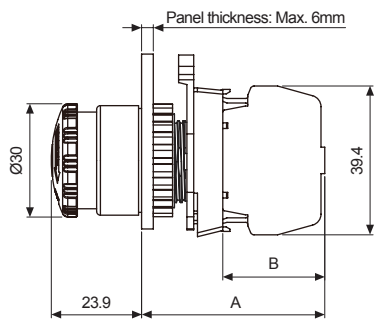
Type	Appearance	Model	Contact block		LED block										
			A contact	B contact	AC/DC voltage	AC voltage									
Extended (illuminated)	 S2TR-P3W□	S2TR-P3WABD(M)	1	1	1	—									
		S2TR-P3WABL(M)	1	1	—	1									
<p>※ The M in the model name indicates modular type contact block. Models without M are singular contact block.                      ※ The control unit, contact blocks, LED blocks are sold separately.                      (control unit: bold letters, contact and LED block: regular letters)</p> <p>• Dimensions <span style="float: right;">(unit: mm)</span></p> <div style="display: flex; justify-content: space-around; align-items: flex-start;"> <div style="text-align: center;">  <p>48.1</p> <p>30.4</p> </div> <div style="text-align: center;">  <p>56.1</p> <p>11.9</p> <p>39.4</p> <p>Panel thickness: Max. 6mm</p> </div> <div style="border: 1px solid black; padding: 5px;"> <table border="1"> <thead> <tr> <th></th> <th>A</th> <th>B</th> </tr> </thead> <tbody> <tr> <td>Singular type</td> <td>48.5</td> <td>27.0</td> </tr> <tr> <td>Modular type</td> <td>46.5</td> <td>25.0</td> </tr> </tbody> </table> </div> </div> <p style="text-align: right;">※For panel cut-out dimensions, please refer to page A-78.</p>								A	B	Singular type	48.5	27.0	Modular type	46.5	25.0
	A	B													
Singular type	48.5	27.0													
Modular type	46.5	25.0													

**Ø22/25 Mushroom-head Push Button Switches (S2BR Series)**

Type	Appearance	Model	Contact block		LED block										
			A contact	B contact	AC/DC voltage	AC voltage									
Extended	 S2BR-P1G□	S2BR-P1□A(M)	1	—	—	—									
		S2BR-P1□2A(M)	2	—											
		S2BR-P1□3A(M)	3	—											
		S2BR-P1□B(M)	—	1											
		S2BR-P1□2B(M)	—	2											
		S2BR-P1□3B(M)	—	3											
		S2BR-P1□AB(M)	1	1											
		S2BR-P1□2AB(M)	2	1											
		S2BR-P1□A2B(M)	1	2											
<p>※□ indicates color: <b>R</b>, <b>G</b></p> <p>※ The M in the model name indicates modular type contact block. Models without M are singular contact block.                      ※ The control unit, contact blocks, LED blocks are sold separately.                      (control unit: bold letters, contact block: regular letters)</p> <p>• Dimensions <span style="float: right;">(unit: mm)</span></p> <div style="display: flex; justify-content: space-around; align-items: flex-start;"> <div style="text-align: center;">  <p>48.1</p> <p>30.4</p> </div> <div style="text-align: center;">  <p>Ø40</p> <p>24.4</p> <p>39.4</p> <p>Panel thickness: Max. 6mm</p> </div> <div style="border: 1px solid black; padding: 5px;"> <table border="1"> <thead> <tr> <th></th> <th>A</th> <th>B</th> </tr> </thead> <tbody> <tr> <td>Singular type</td> <td>48.5</td> <td>27.0</td> </tr> <tr> <td>Modular type</td> <td>46.5</td> <td>25.0</td> </tr> </tbody> </table> </div> </div> <p style="text-align: right;">※For panel cut-out dimensions, please refer to page A-78.</p>								A	B	Singular type	48.5	27.0	Modular type	46.5	25.0
	A	B													
Singular type	48.5	27.0													
Modular type	46.5	25.0													

Ø22/25 Emergency Switches (S2ER Series)

Type	Appearance	Model	Contact block		LED block										
			A contact	B contact	AC/DC voltage	AC voltage									
D30 (long head)	 S2ER-E1R□	S2ER-E1RA(M)	1	—	—	—									
		S2ER-E1R2A(M)	2	—											
		S2ER-E1R3A(M)	3	—											
		S2ER-E1RB(M)	—	1											
		S2ER-E1R2B(M)	—	2											
		S2ER-E1R3B(M)	—	3											
		S2ER-E1RAB(M)	1	1											
		S2ER-E1R2AB(M)	2	1											
		S2ER-E1RA2B(M)	1	2											
※The M in the model name indicates modular type contact block. Models without M are singular contact block. ※The control unit, contact blocks, LED blocks are sold separately. (control unit: bold letters, contact block: regular letters)															
• Dimensions <span style="float: right;">(unit: mm)</span>															
															
			<table border="1"> <thead> <tr> <th></th> <th>A</th> <th>B</th> </tr> </thead> <tbody> <tr> <td>Singular type</td> <td>48.5</td> <td>27.0</td> </tr> <tr> <td>Modular type</td> <td>46.5</td> <td>25.0</td> </tr> </tbody> </table>			A	B	Singular type	48.5	27.0	Modular type	46.5	25.0		
	A	B													
Singular type	48.5	27.0													
Modular type	46.5	25.0													
※For panel cut-out dimensions, please refer to page A-78.															



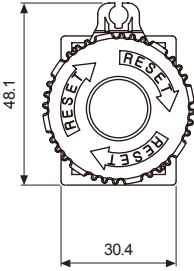
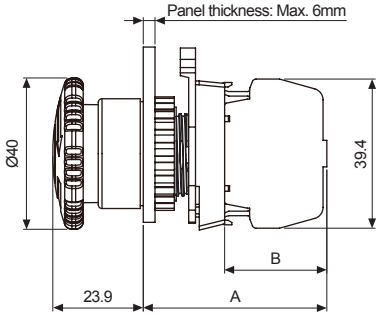
Type	Appearance	Model	Contact block		LED block										
			A contact	B contact	AC/DC voltage	AC voltage									
D30 (short head)	 S2ER-E2R□	S2ER-E2RA(M)	1	—	—	—									
		S2ER-E2R2A(M)	2	—											
		S2ER-E2R3A(M)	3	—											
		S2ER-E2RB(M)	—	1											
		S2ER-E2R2B(M)	—	2											
		S2ER-E2R3B(M)	—	3											
		S2ER-E2RAB(M)	1	1											
		S2ER-E2R2AB(M)	2	1											
		S2ER-E2RA2B(M)	1	2											
※The M in the model name indicates modular type contact block. Models without M are singular contact block. ※The control unit, contact blocks, LED blocks are sold separately. (control unit: bold letters, contact block: regular letters)															
• Dimensions <span style="float: right;">(unit: mm)</span>															
															
			<table border="1"> <thead> <tr> <th></th> <th>A</th> <th>B</th> </tr> </thead> <tbody> <tr> <td>Singular type</td> <td>48.5</td> <td>27.0</td> </tr> <tr> <td>Modular type</td> <td>46.5</td> <td>25.0</td> </tr> </tbody> </table>			A	B	Singular type	48.5	27.0	Modular type	46.5	25.0		
	A	B													
Singular type	48.5	27.0													
Modular type	46.5	25.0													
※For panel cut-out dimensions, please refer to page A0-78.															



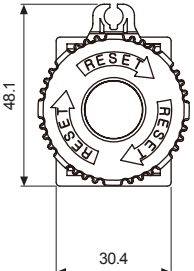
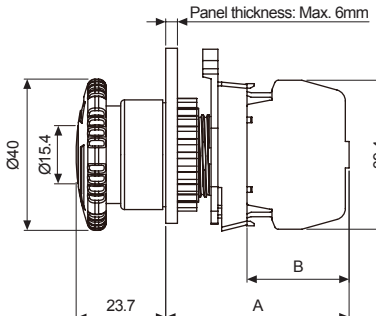
- Control Switches
  - Ø16
  - Ø22/25
  - Ø30
  - 30
- Push Button Switches
  - Round
  - Square
  - Rectangular
- Selector Switches
  - Round
  - Square
  - Rectangular
- Key Selector Switches
  - Round
  - Square
  - Rectangular
- Double Push Button Switches
- Mushroom-head Push Button Switches
- Emergency Switches
- Pilot Lights
- Accessories
- Buzzers



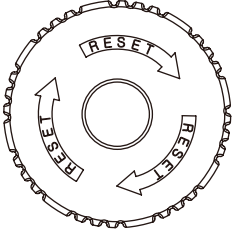
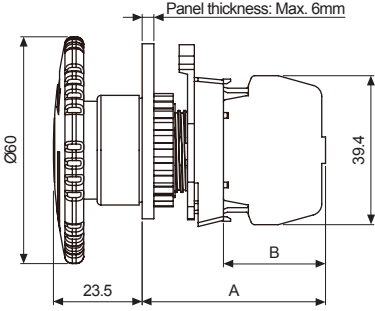




# Ø22/25 Emergency Switches

Type	Appearance	Model	Contact block		LED block										
			A contact	B contact	AC/DC voltage	AC voltage									
D40 (short head)	 S2ER-E3R□ 	<b>S2ER-E3RA</b> (M)	1	—	—	—									
		<b>S2ER-E3RA</b> (M)	2	—											
		<b>S2ER-E3R3A</b> (M)	3	—											
		<b>S2ER-E3RB</b> (M)	—	1											
		<b>S2ER-E3R2B</b> (M)	—	2											
		<b>S2ER-E3R3B</b> (M)	—	3											
		<b>S2ER-E3RAB</b> (M)	1	1											
		<b>S2ER-E3R2AB</b> (M)	2	1											
		<b>S2ER-E3RA2B</b> (M)	1	2											
※The M in the model name indicates modular type contact block. Models without M are singular contact block. ※The control unit, contact blocks, LED blocks are sold separately. (control unit: bold letters, contact block: regular letters)															
• Dimensions <span style="float: right;">(unit: mm)</span>															
															
			<table border="1"> <thead> <tr> <th></th> <th>A</th> <th>B</th> </tr> </thead> <tbody> <tr> <td>Singular type</td> <td>48.5</td> <td>27.0</td> </tr> <tr> <td>Modular type</td> <td>46.5</td> <td>25.0</td> </tr> </tbody> </table>					A	B	Singular type	48.5	27.0	Modular type	46.5	25.0
	A	B													
Singular type	48.5	27.0													
Modular type	46.5	25.0													
※For panel cut-out dimensions, please refer to page A-78.															

Type	Appearance	Model	Contact block		LED block										
			A contact	B contact	AC/DC voltage	AC voltage									
D40 (short head/ illuminated)	 S2ER-E4R□ 	<b>S2ER-E4RAD</b> (M)	1	—	1	—									
		<b>S2ER-E4R2AD</b> (M)	2	—	1	—									
		<b>S2ER-E4R3A</b> (M)	3	—	—	—									
		<b>S2ER-E4RBD</b> (M)	—	1	1	—									
		<b>S2ER-E4R2BD</b> (M)	—	2	1	—									
		<b>S2ER-E4R3B</b> (M)	—	3	—	—									
		<b>S2ER-E4RABL</b> (M)	1	1	—	1									
		<b>S2ER-E4R2AB</b> (M)	2	1	—	—									
		<b>S2ER-E4RA2B</b> (M)	1	2	—	—									
※The M in the model name indicates modular type contact block. Models without M are singular contact block. ※The control unit, contact blocks, LED blocks are sold separately. (control unit: bold letters, contact block, LED block: regular letters)															
• Dimensions <span style="float: right;">(unit: mm)</span>															
															
			<table border="1"> <thead> <tr> <th></th> <th>A</th> <th>B</th> </tr> </thead> <tbody> <tr> <td>Singular type</td> <td>48.5</td> <td>27.0</td> </tr> <tr> <td>Modular type</td> <td>46.5</td> <td>25.0</td> </tr> </tbody> </table>					A	B	Singular type	48.5	27.0	Modular type	46.5	25.0
	A	B													
Singular type	48.5	27.0													
Modular type	46.5	25.0													
※For panel cut-out dimensions, please refer to page A-78.															

Type	Appearance	Model	Contact block		LED block										
			A contact	B contact	AC/DC voltage	AC voltage									
D60 (short head)	 S2ER-E5R□  	S2ER-E5RA(M)	1	—	—	—									
		S2ER-E5R2A(M)	2	—											
		S2ER-E5R3A(M)	3	—											
		S2ER-E5RB(M)	—	1											
		S2ER-E5R2B(M)	—	2											
		S2ER-E5R3B(M)	—	3											
		S2ER-E5RAB(M)	1	1											
		S2ER-E5R2AB(M)	2	1											
		S2ER-E5RA2B(M)	1	2											
		※The M in the model name indicates modular type contact block. Models without M are singular contact block. ※The control unit, contact blocks, LED blocks are sold separately. (control unit: bold letters, contact block: regular letters)													
• Dimensions <span style="float: right;">(unit: mm)</span>															
															
			<table border="1" style="margin-left: auto; margin-right: auto;"> <thead> <tr> <th></th> <th>A</th> <th>B</th> </tr> </thead> <tbody> <tr> <td>Singular type</td> <td>48.5</td> <td>27.0</td> </tr> <tr> <td>Modular type</td> <td>46.5</td> <td>25.0</td> </tr> </tbody> </table>					A	B	Singular type	48.5	27.0	Modular type	46.5	25.0
	A	B													
Singular type	48.5	27.0													
Modular type	46.5	25.0													
※For panel cut-out dimensions, please refer to page A-78.															

**Control Switches**

Ø16

Ø22/25

Ø30

□30

**Push Button Switches**

Round

Square

Rectangular

**Selector Switches**

Round

Square

Rectangular

**Key Selector Switches**

Round

Square

Rectangular

**Double Push Button Switches**

**Mushroom-head Push Button Switches**

**Emergency Switches**

Pilot Lights



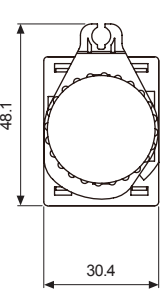
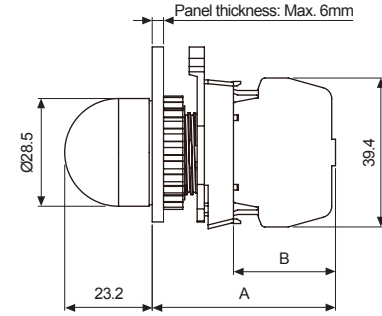

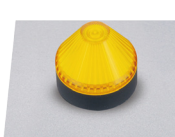
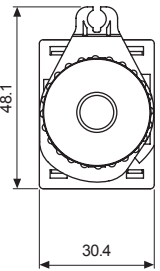
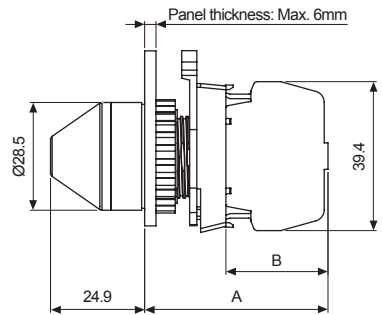
Accessories

Buzzers



# Ø22/25 Pilot Lights

## Ø22/25 Pilot Lights (L2RR Series)

Type	Appearance	Model	Contact block		LED block										
			A contact	B contact	AC/DC voltage	AC voltage									
Dome head, extended	 L2RR-L1G□  	L2RR-L1□D(M)	—	—	1	—									
		L2RR-L1□L(M)	—	—	—	1									
<p>※□ indicates color: <b>R</b>, <b>B</b>, <b>G</b>, <b>Y</b>, <b>W</b></p> <p>※The M in the model name indicates modular type LED block. Models without M are singular LED block.</p> <p>※The light unit and LED blocks are sold separately. (light unit: bold letters, LED block: regular letters)</p> <p>※The LED color is the same as the control unit.</p>															
<p>• Dimensions <span style="float: right;">(unit: mm)</span></p> <div style="display: flex; justify-content: space-around; align-items: flex-start;"> <div style="text-align: center;">  </div> <div style="text-align: center;">  </div> <div style="text-align: center;"> <table border="1"> <thead> <tr> <th></th> <th>A</th> <th>B</th> </tr> </thead> <tbody> <tr> <td>Singular type</td> <td>48.5</td> <td>27.0</td> </tr> <tr> <td>Modular type</td> <td>46.5</td> <td>25.0</td> </tr> </tbody> </table> </div> </div> <p style="text-align: right;">※For panel cut-out dimensions, please refer to page A-78.</p>								A	B	Singular type	48.5	27.0	Modular type	46.5	25.0
	A	B													
Singular type	48.5	27.0													
Modular type	46.5	25.0													
Type	Appearance	Model	Contact block		LED block										
Horn head, extended	 L2RR-L2Y□  	L2RR-L2□D(M)	—	—	1	—									
		L2RR-L2□L(M)	—	—	—	1									
<p>※□ indicates color: <b>R</b>, <b>B</b>, <b>G</b>, <b>Y</b>, <b>W</b></p> <p>※The M in the model name indicates modular type LED block. Models without M are singular LED block.</p> <p>※The light unit and LED blocks are sold separately. (light unit: bold letters, LED block: regular letters)</p> <p>※The LED color is the same as the control unit.</p>															
<p>• Dimensions <span style="float: right;">(unit: mm)</span></p> <div style="display: flex; justify-content: space-around; align-items: flex-start;"> <div style="text-align: center;">  </div> <div style="text-align: center;">  </div> <div style="text-align: center;"> <table border="1"> <thead> <tr> <th></th> <th>A</th> <th>B</th> </tr> </thead> <tbody> <tr> <td>Singular type</td> <td>48.5</td> <td>27.0</td> </tr> <tr> <td>Modular type</td> <td>46.5</td> <td>25.0</td> </tr> </tbody> </table> </div> </div> <p style="text-align: right;">※For panel cut-out dimensions, please refer to page A-78.</p>								A	B	Singular type	48.5	27.0	Modular type	46.5	25.0
	A	B													
Singular type	48.5	27.0													
Modular type	46.5	25.0													



Control Switches

Ø16

Ø22/25

Ø30

□30

Push Button Switches

Round

Square

Rectangular

Selector Switches

Round

Square

Rectangular

Key Selector Switches

Round

Square

Rectangular

Double Push Button Switches



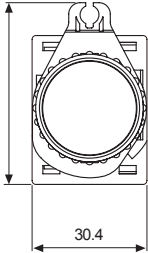
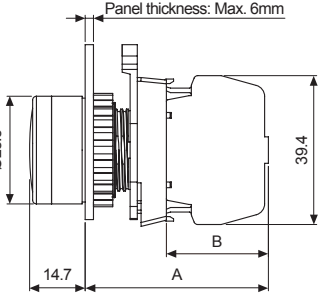


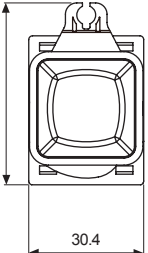
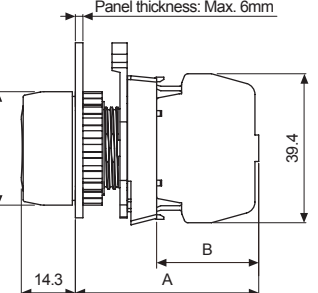
Mushroom-head Push Button Switches

Emergency Switches

Pilot Lights

Accessories


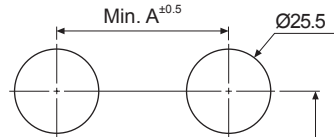
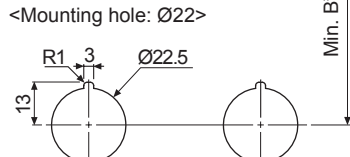









Buzzers

Type	Appearance	Model	Contact block		LED block										
			A contact	B contact	AC/DC voltage	AC voltage									
Flat round, extended	 <p>L2RR-L3R□</p> 	L2RR(U)-L3□D(M)	—	—	1	—									
		L2RR(U)-L3□L(M)	—	—	—	1									
<p>※□ indicates color: <b>R</b>, <b>B</b>, <b>G</b>, <b>Y</b>, <b>W</b></p> <p>※The M in the model name indicates modular type LED block. Models without M are singular LED block.</p> <p>※Models without 'U' in the model name contain "Lamp" markings on the light cap.</p> <p>※The light unit and LED blocks are sold separately. (light unit: bold letters, LED block: regular letters)</p> <p>※The LED color is the same as the control unit.</p>															
<p>• Dimensions <span style="float: right;">(unit: mm)</span></p> <div style="display: flex; align-items: center;">   <table border="1" style="margin-left: 20px;"> <thead> <tr> <th></th> <th>A</th> <th>B</th> </tr> </thead> <tbody> <tr> <td>Singular type</td> <td>48.5</td> <td>27.0</td> </tr> <tr> <td>Modular type</td> <td>46.5</td> <td>25.0</td> </tr> </tbody> </table> </div> <p style="text-align: right;">※For panel cut-out dimensions, please refer to page A-78.</p>								A	B	Singular type	48.5	27.0	Modular type	46.5	25.0
	A	B													
Singular type	48.5	27.0													
Modular type	46.5	25.0													
Type	Appearance	Model	Contact block		LED block										
			A contact	B contact	AC/DC voltage	AC voltage									
Flat square, extended	 <p>L2RR-L4B□</p> 	L2RR(U)-L4□D(M)	—	—	1	—									
		L2RR(U)-L4□L(M)	—	—	—	1									
<p>※□ indicates color: <b>R</b>, <b>B</b>, <b>G</b>, <b>Y</b>, <b>W</b></p> <p>※The M in the model name indicates modular type LED block. Models without M are singular LED block.</p> <p>※Models without 'U' in the model name contain "Lamp" markings on the light cap.</p> <p>※The light unit and LED blocks are sold separately. (light unit: bold letters, LED block: regular letters)</p> <p>※The LED color is the same as the control unit.</p>															
<p>• Dimensions <span style="float: right;">(unit: mm)</span></p> <div style="display: flex; align-items: center;">   <table border="1" style="margin-left: 20px;"> <thead> <tr> <th></th> <th>A</th> <th>B</th> </tr> </thead> <tbody> <tr> <td>Singular type</td> <td>48.5</td> <td>27.0</td> </tr> <tr> <td>Modular type</td> <td>46.5</td> <td>25.0</td> </tr> </tbody> </table> </div> <p style="text-align: right;">※For panel cut-out dimensions, please refer to page A-78.</p>								A	B	Singular type	48.5	27.0	Modular type	46.5	25.0
	A	B													
Singular type	48.5	27.0													
Modular type	46.5	25.0													

# Ø22/25 Panel Cut-out Dimensions

## Ø22/25 Panel Cut-out Dimensions

(unit: mm)

Type		A	B	Panel Cut-out Dimensions	
Round/Square Push Button Switches (S2PR/S2PRS Series)			33	55	<p>&lt;Mounting hole: Ø25&gt;</p>  <p>&lt;Mounting hole: Ø22&gt;</p> 
Round Selector Switches (S2SR/S2SRN Series)	Short lever		33	55	
	Long lever		55	55	
Round Key Selector Switches (S2KR Series)			33	55	
Double Push Button Switches (S2TR Series)			33	60	
Mushroom-head Push Button Switches (S2BR Series)			33	55	
Emergency Switches (S2ER Series)	D30		33	55	
	D40		55	55	
	D60		80	80	
Pilot Lights (L2RR Series)			33	55	