

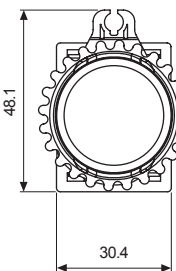
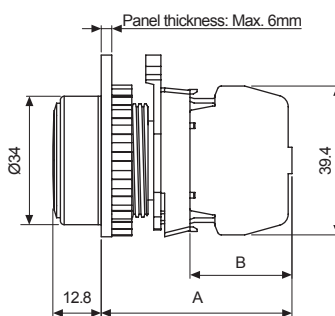


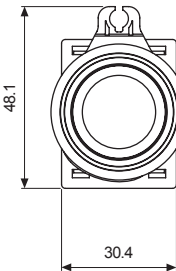
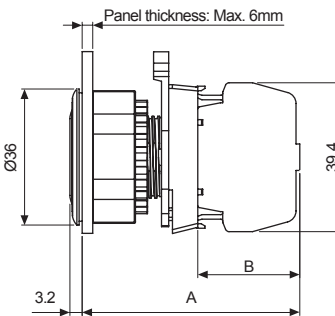


Ø30 Round Push Button Switches (S3PR Series)

Type	Appearance	Model	Contact block		LED block										
			A contact	B contact	AC/DC voltage	AC voltage									
Extended	 <p>S3PR-P1R□</p> 	S3PR-P1□A(M)	1	—	—	—									
		S3PR-P1□2A(M)	2	—											
		S3PR-P1□3A(M)	3	—											
		S3PR-P1□B(M)	—	1											
		S3PR-P1□2B(M)	—	2											
		S3PR-P1□3B(M)	—	3											
		S3PR-P1□AB(M)	1	1											
		S3PR-P1□2AB(M)	2	1											
		S3PR-P1□A2B(M)	1	2											
<p>※□ indicates color : R, B, G, Y, K</p> <p>※The M in the model name indicates modular type contact block. Models without M are singular contact block.</p> <p>※The control unit, contact blocks, LED blocks are sold separately. (control unit: bold letters, contact block: regular letters)</p> <p>• Dimensions (unit: mm)</p> <div style="display: flex; justify-content: space-around; align-items: flex-start;">   <table border="1" style="margin-left: auto;"> <thead> <tr> <th></th> <th>A</th> <th>B</th> </tr> </thead> <tbody> <tr> <td>Singular type</td> <td>50.5</td> <td>27.0</td> </tr> <tr> <td>Modular type</td> <td>48.5</td> <td>25.0</td> </tr> </tbody> </table> </div> <p style="text-align: center;">※For panel cut-out dimensions, please refer to page A-100.</p>								A	B	Singular type	50.5	27.0	Modular type	48.5	25.0
	A	B													
Singular type	50.5	27.0													
Modular type	48.5	25.0													

Type	Appearance	Model	Contact block		LED block										
			A contact	B contact	AC/DC voltage	AC voltage									
Flush	 <p>S3PF-P1B□</p> 	S3PF-P1□A(M)	1	—	—	—									
		S3PF-P1□2A(M)	2	—											
		S3PF-P1□3A(M)	3	—											
		S3PF-P1□B(M)	—	1											
		S3PF-P1□2B(M)	—	2											
		S3PF-P1□3B(M)	—	3											
		S3PF-P1□AB(M)	1	1											
		S3PF-P1□2AB(M)	2	1											
		S3PF-P1□A2B(M)	1	2											
<p>※□ indicates color : R, B, G, Y, K</p> <p>※The M in the model name indicates modular type contact block. Models without M are singular contact block.</p> <p>※The control unit, contact blocks, LED blocks are sold separately. (control unit: bold letters, contact block: regular letters)</p> <p>• Dimensions (unit: mm)</p> <div style="display: flex; justify-content: space-around; align-items: flex-start;">   <table border="1" style="margin-left: auto;"> <thead> <tr> <th></th> <th>A</th> <th>B</th> </tr> </thead> <tbody> <tr> <td>Singular type</td> <td>57.6</td> <td>27.0</td> </tr> <tr> <td>Modular type</td> <td>55.6</td> <td>25.0</td> </tr> </tbody> </table> </div> <p style="text-align: center;">※For panel cut-out dimensions, please refer to page A-100.</p>								A	B	Singular type	57.6	27.0	Modular type	55.6	25.0
	A	B													
Singular type	57.6	27.0													
Modular type	55.6	25.0													



Ø30 Push Button Switches

Control Switches

- Ø16
- Ø22/25
- Ø30
- 30

Push Button Switches

- Round
- Square
- Rectangular

Selector Switches

- Round
- Square
- Rectangular

Key Selector Switches

- Round
- Square
- Rectangular

Double Push Button Switches




Mushroom-head Push Button Switches

Emergency Switches

Pilot Lights

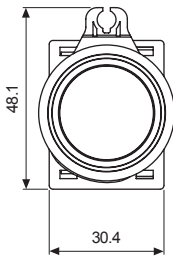
Accessories

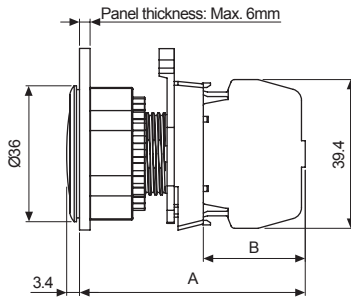
Buzzers

Type	Appearance	Model	Contact block		LED block	
			A contact	B contact	AC/DC voltage	AC voltage
Flush (illuminated)	 <p>S3PF-P3G□</p>  <p>S3PFU-P3G□</p> 	S3PF(U)-P3□AD(M)	1	—	1	—
		S3PF(U)-P3□2AD(M)	2	—		
		S3PF(U)-P3□BD(M)	—	1		
		S3PF(U)-P3□2BD(M)	—	2		
		S3PF(U)-P3□ABD(M)	1	1		
		S3PF(U)-P3□AL(M)	1	—	—	1
		S3PF(U)-P3□2AL(M)	2	—		
		S3PF(U)-P3□BL(M)	—	1		
		S3PF(U)-P3□2BL(M)	—	2		
		S3PF(U)-P3□ABL(M)	1	1		

※□ indicates color : ■, ■, ■, ■, ■
 ※Models without 'U' in the model name contain "Push" markings on the button cap.
 ※The M in the model name indicates modular type contact block. Models without M are singular contact block.
 ※The control unit, contact blocks, LED blocks are sold separately.
 (control unit: bold letters, contact and LED block: regular letters)
 ※The LED color is the same as the control unit.

• Dimensions (unit: mm)












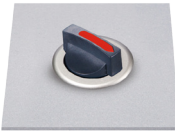
	A	B
Singular type	59.8	27.0
Modular type	57.8	25.0

※For panel cut-out dimensions, please refer to page A-100.

Ø30 Round Standard Lever Selector Switches (S3SF Series)

Type	Appearance	Operating position	Model	Contact block		LED block		
				A contact	B contact	AC/DC voltage	AC voltage	
Standard short lever, flush		2-position, spring return	 S3SF-S1 □A(M)	1	—	—	—	
			S3SF-S1 □2A(M)	2	—			
			S3SF-S1 □B(M)	—	1			
			S3SF-S1 □2B(M)	—	2			
			S3SF-S1 □AB(M)	1	1			
		2-position, maintained	 S3SF-S3 □A(M)	1	—			
			S3SF-S3 □2A(M)	2	—			
			S3SF-S3 □B(M)	—	1			
			S3SF-S3 □2B(M)	—	2			
			S3SF-S3 □AB(M)	1	1			
		3-position, spring return two-way		S3SF-S5K □2A(M)	2			—
				S3SF-S5K □2B(M)	—			2
				S3SF-S5K □AB(M)	1			1
		3-position, maintained		S3SF-S7K □2A(M)	2			—
				S3SF-S7K □2B(M)	—			2
				S3SF-S7K □AB(M)	1			1
		3-position, spring return from right		S3SF-SAK □2A(M)	2			—
				S3SF-SAK □2B(M)	—			2
				S3SF-SAK □AB(M)	1			1
		3-position, spring return from left		S3SF-SCK □2A(M)	2			—
				S3SF-SCK □2B(M)	—			2
				S3SF-SCK □AB(M)	1			1

S3SF-S1R□



※□ indicates color : **W**, **R**

※The M in the model name indicates modular type contact block. Models without M are singular contact block.

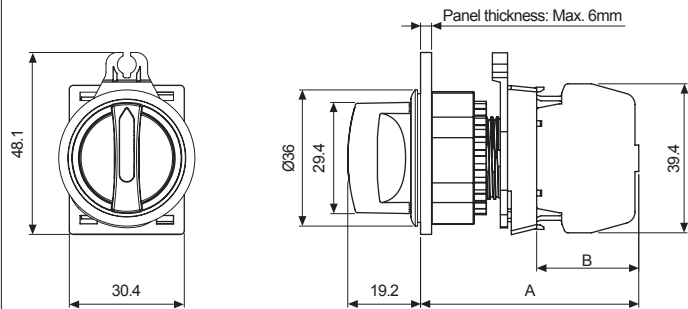
※The control unit and contact blocks are sold separately.

(control unit: bold letters, contact block: regular letters)

※Connect up to 2 contact blocks. Connect the contact blocks only on the right and left side slots. It will not operate if connected to the center slot.



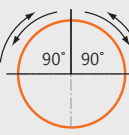
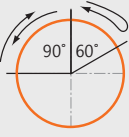
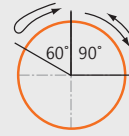
• Dimensions

(unit: mm)

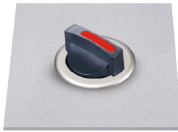


	A	B
Singular type	57.7	27.0
Modular type	55.7	25.0

※For panel cut-out dimensions, please refer to page A-100.

Type	Appearance	Operating position	Model	Contact block		LED block	
				A contact	B contact	AC/DC voltage	AC voltage
Standard short lever, flush		3-position, spring return two-way	 S3SF-S5 □2A(M)	2	—	—	—
			S3SF-S5 □2B(M)	—	2		
			S3SF-S5 □AB(M)	1	1		
		3-position, maintained	 S3SF-S7 □2A(M)	2	—		
			S3SF-S7 □2B(M)	—	2		
			S3SF-S7 □AB(M)	1	1		
		3-position, spring return from right	 S3SF-SA □2A(M)	2	—		
			S3SF-SA □2B(M)	—	2		
			S3SF-SA □AB(M)	1	1		
		3-position, spring return from left	 S3SF-SC □2A(M)	2	—		
			S3SF-SC □2B(M)	—	2		
			S3SF-SC □AB(M)	1	1		

S3SF-S1R□



※□ indicates color : **W**, **R**

※The M in the model name indicates modular type contact block. Models without M are singular contact block.

※The control unit and contact blocks are sold separately.

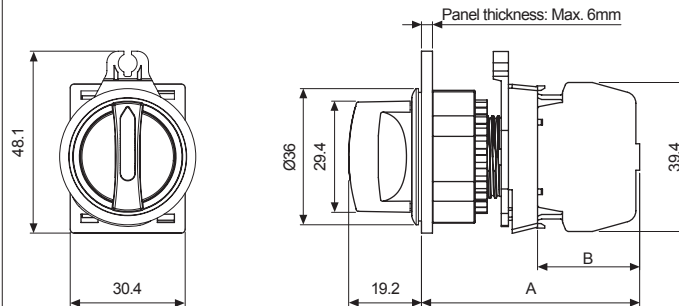
(control unit: bold letters, contact block: regular letters)

※Connect up to 2 contact blocks. Connect the contact blocks only on the right and left side slots.

It will not operate if connected to the center slot.

• Dimensions

(unit: mm)



	A	B
Singular type	57.7	27.0
Modular type	55.7	25.0

※For panel cut-out dimensions, please refer to page A-100.

Ø30 Selector Switches

Type	Appearance	Operating position	Model	Contact block		LED block	
				A contact	B contact	AC/DC voltage	AC voltage
Standard long lever, flush		2-position, spring return	 S3SF-S2□A(M)	1	—	—	—
			S3SF-S2□2A(M)	2	—		
			S3SF-S2□B(M)	—	1		
			S3SF-S2□2B(M)	—	2		
			S3SF-S2□AB(M)	1	1		
		2-position, maintained	 S3SF-S4□A(M)	1	—		
			S3SF-S4□2A(M)	2	—		
			S3SF-S4□B(M)	—	1		
			S3SF-S4□2B(M)	—	2		
			S3SF-S4□AB(M)	1	1		
		3-position, spring return two-way	 S3SF-S6K□2A(M)	2	—		
			S3SF-S6K□2B(M)	—	2		
			S3SF-S6K□AB(M)	1	1		
		3-position, maintained	 S3SF-S8K□2A(M)	2	—		
			S3SF-S8K□2B(M)	—	2		
			S3SF-S8K□AB(M)	1	1		
		3-position, spring return from right	 S3SF-SBK□2A(M)	2	—		
			S3SF-SBK□2B(M)	—	2		
			S3SF-SBK□AB(M)	1	1		
		3-position, spring return from left	 S3SF-SDK□2A(M)	2	—		
			S3SF-SDK□2B(M)	—	2		
			S3SF-SDK□AB(M)	1	1		

※□ indicates color : **W**, **R**

※The M in the model name indicates modular type contact block. Models without M are singular contact block.

※The control unit and contact blocks are sold separately.

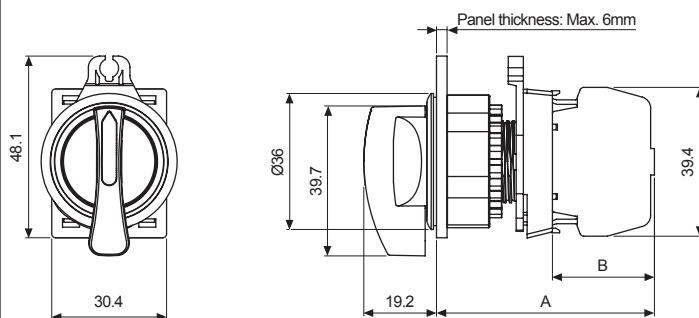
(control unit: bold letters, contact block: regular letters)

※Connect up to 2 contact blocks. Connect the contact blocks only on the right and left side slots.

It will not operate if connected to the center slot.


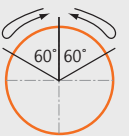
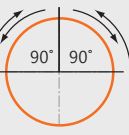
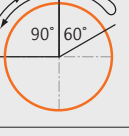
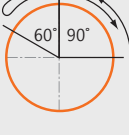
• Dimensions

(unit: mm)

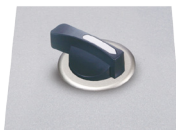


	A	B
Singular type	57.7	27.0
Modular type	55.7	25.0

※For panel cut-out dimensions, please refer to page A-100.

Type	Appearance	Operating position		Model	Contact block		LED block	
					A contact	B contact	AC/DC voltage	AC voltage
Standard long lever, flush		3-position, spring return two-way		S3SF-S6 □2A(M)	2	—	—	—
				S3SF-S6 □2B(M)	—	2		
				S3SF-S6 □2AB(M)	1	1		
		3-position, maintained		S3SF-S8 □2A(M)	2	—		
				S3SF-S8 □2B(M)	—	2		
				S3SF-S8 □AB(M)	1	1		
		3-position, spring return from right		S3SF-SB □2A(M)	2	—		
				S3SF-SB □2B(M)	—	2		
				S3SF-SB □AB(M)	1	1		
		3-position, spring return from left		S3SF-SD □2A(M)	2	—		
				S3SF-SD □2B(M)	—	2		
				S3SF-SD □AB(M)	1	1		

S3SF-S2W□



※□ indicates color : **W**, **R**

※The M in the model name indicates modular type contact block. Models without M are singular contact block.

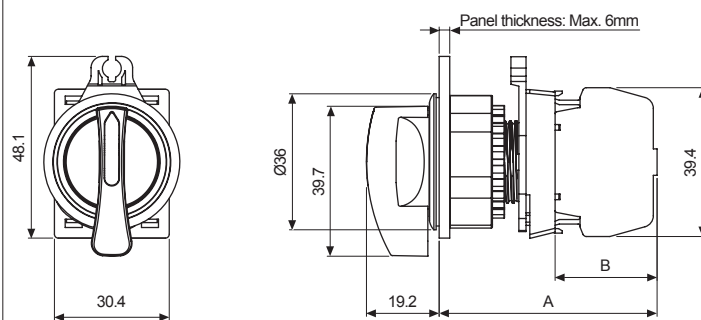
※The control unit and contact blocks are sold separately.

(control unit: bold letters, contact block: regular letters)

※Connect up to 2 contact blocks. Connect the contact blocks only on the right and left side slots. It will not operate if connected to the center slot.

• Dimensions


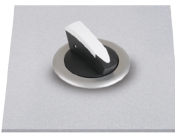
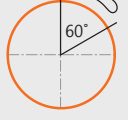




(unit: mm)



	A	B
Singular type	57.7	27.0
Modular type	55.7	25.0

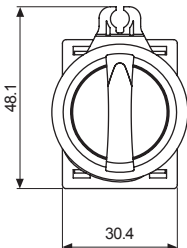
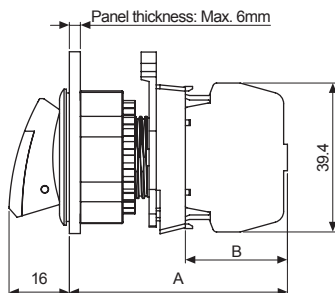
※For panel cut-out dimensions, please refer to page A-100.

Ø30 Round Shark Lever Selector Switches (S3SFN Series)

Type	Appearance	Operating position		Model	Contact block		LED block			
					A contact	B contact	AC/DC voltage	AC voltage		
Short shark-head lever, flush	 S3SFN-S1AW□ 	2-position, spring return		S3SFN-S1A□A(M)	1	—	—	—		
				S3SFN-S1A□2A(M)	2	—				
				S3SFN-S1A□B(M)	—	1				
				S3SFN-S1A□2B(M)	—	2				
				S3SFN-S1A□AB(M)	1	1				
				S3SFN-S3A□A(M)	1	—				
		2-position, maintained		S3SFN-S3A□2A(M)	2	—				
				S3SFN-S3A□B(M)	—	1				
				S3SFN-S3A□2B(M)	—	2				
				S3SFN-S3A□AB(M)	1	1				
				2-position, spring return		S3SFN-S1B□A(M)			1	—
						S3SFN-S1B□2A(M)			2	—
		S3SFN-S1B□B(M)	—			1				
		S3SFN-S1B□2B(M)	—			2				
		S3SFN-S1B□AB(M)	1			1				
		S3SFN-S3B□A(M)	1			—				
		2-position, maintained		S3SFN-S3B□2A(M)	2	—				
				S3SFN-S3B□B(M)	—	1				
				S3SFN-S3B□2B(M)	—	2				
				S3SFN-S3B□AB(M)	1	1				
				2-position, spring return		S3SFN-S1□A(M)			1	—
						S3SFN-S1□2A(M)			2	—
		S3SFN-S1□B(M)	—			1				
		S3SFN-S1□2B(M)	—			2				
S3SFN-S1□AB(M)	1	1								






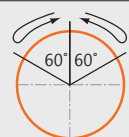
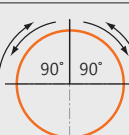
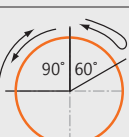
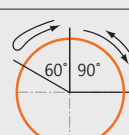
※□ indicates color : **W**, **R**
 ※The M in the model name indicates modular type contact block. Models without M are singular contact block.
 ※The control unit and contact blocks are sold separately.
 (control unit: bold letters, contact block: regular letters)
 ※Connect up to 2 contact blocks. Connect the contact blocks only on the right and left side slots.
 It will not operate if connected to the center slot.

• Dimensions (unit: mm)

	A	B
Singular type	57.7	27.0
Modular type	55.7	25.0

※For panel cut-out dimensions, please refer to page A-100.

Type	Appearance	Operating position		Model	Contact block		LED block	
					A contact	B contact	AC/DC voltage	AC voltage
Short shark-head lever, flush		3-position, spring return two-way		S3SFN-S5K□2A(M)	2	—	—	—
				S3SFN-S5K□2B(M)	—	2		
				S3SFN-S5K□AB(M)	1	1		
		3-position, maintained		S3SFN-S7K□2A(M)	2	—		
				S3SFN-S7K□2B(M)	—	2		
				S3SFN-S7K□AB(M)	1	1		
		3-position, spring return from right		S3SFN-SAK□2A(M)	2	—		
				S2SFN-SAK□2B(M)	—	2		
				S2SFN-SAK□AB(M)	1	1		
		3-position, spring return from left		S2SFN-SCK□2A(M)	2	—		
				S2SFN-SCK□2B(M)	—	2		
				S2SFN-SCK□AB(M)	1	1		
		3-position, spring return two-way		S3SFN-S5□2A(M)	2	—		
				S3SFN-S5□2B(M)	—	2		
				S3SFN-S5□AB(M)	1	1		
		3-position, maintained		S3SFN-S7□2A(M)	2	—		
				S3SFN-S7□2B(M)	—	2		
				S3SFN-S7□AB(M)	1	1		
		3-position, spring return from right		S3SFN-SA□2A(M)	2	—		
				S2SFN-SA□2B(M)	—	2		
				S2SFN-SA□AB(M)	1	1		
		3-position, spring return from left		S2SFN-SC□2A(M)	2	—		
				S2SFN-SC□2B(M)	—	2		
				S2SFN-SC□AB(M)	1	1		

※□ indicates color : **W**, **R**

※The M in the model name indicates modular type contact block. Models without M are singular contact block.

※The control unit and contact blocks are sold separately.

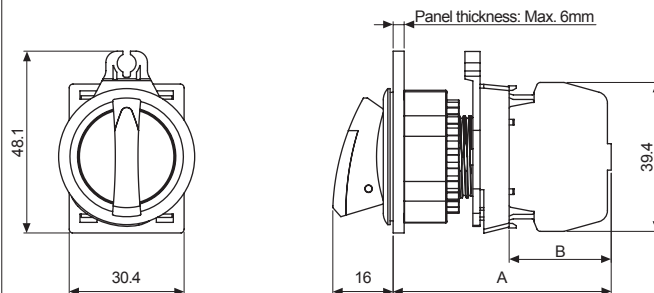
(control unit: bold letters, contact block: regular letters)

※Connect up to 2 contact blocks. Connect the contact blocks only on the right and left side slots.

It will not operate if connected to the center slot.

• Dimensions



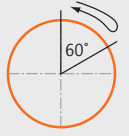
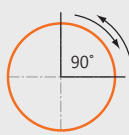

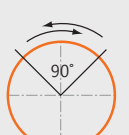

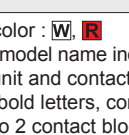
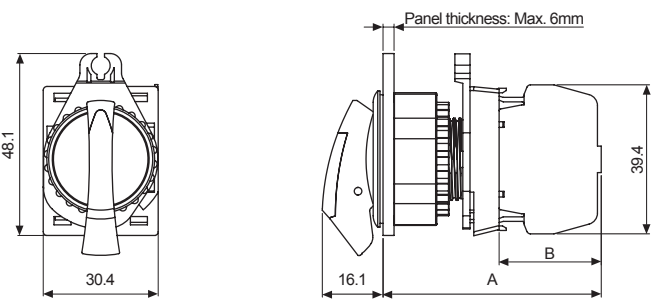
(unit: mm)




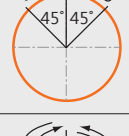
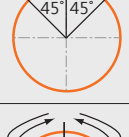
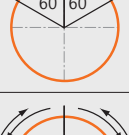
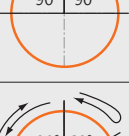

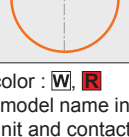


	A	B
Singular type	57.7	27.0
Modular type	55.7	25.0

※For panel cut-out dimensions, please refer to page A-100.

Ø30 Selector Switches

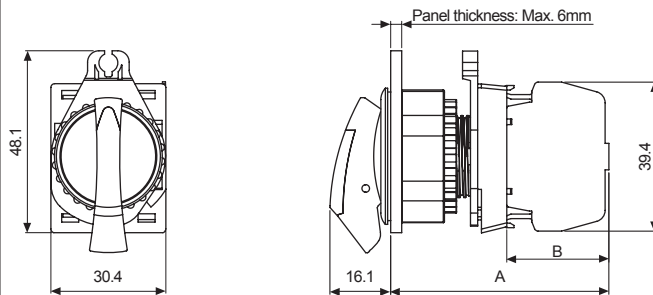
Type	Appearance	Operating position	Model	Contact block		LED block										
				A contact	B contact	AC/DC voltage	AC voltage									
Long shark-head lever, flush	 S3SFN-S2AR□ 	2-position, spring return 	S3SFN-S2A□A(M)	1	—	—	—									
			S3SFN-S2A□2A(M)	2	—											
			S3SFN-S2A□B(M)	—	1											
			S3SFN-S2A□2B(M)	—	2											
		2-position, maintained 	S3SFN-S2A□AB(M)	1	1											
			S3SFN-S4A□A(M)	1	—											
			S3SFN-S4A□2A(M)	2	—											
			S3SFN-S4A□B(M)	—	1											
		2-position, spring return 	S3SFN-S4A□2B(M)	—	2											
			S3SFN-S4A□AB(M)	1	1											
			S3SFN-S2B□A(M)	1	—											
			S3SFN-S2B□2A(M)	2	—											
		2-position, maintained 	S3SFN-S2B□B(M)	—	1											
			S3SFN-S2B□2B(M)	—	2											
			S3SFN-S2B□AB(M)	1	1											
			S3SFN-S4B□A(M)	1	—											
		2-position, spring return 	S3SFN-S4B□2A(M)	2	—											
			S3SFN-S4B□B(M)	—	1											
			S3SFN-S4B□2B(M)	—	2											
			S3SFN-S4B□AB(M)	1	1											
		2-position, spring return 	S3SFN-S2□A(M)	1	—											
			S3SFN-S2□2A(M)	2	—											
			S3SFN-S2□B(M)	—	1											
			S3SFN-S2□2B(M)	—	2											
				S3SFN-S2□AB(M)	1	1										
※□ indicates color : W , R ※The M in the model name indicates modular type contact block. Models without M are singular contact block. ※The control unit and contact blocks are sold separately. (control unit: bold letters, contact block: regular letters) ※Connect up to 2 contact blocks. Connect the contact blocks only on the right and left side slots. It will not operate if connected to the center slot.																
• Dimensions (unit: mm)																
																
<table border="1" style="margin-left: auto; margin-right: auto;"> <thead> <tr> <th></th> <th>A</th> <th>B</th> </tr> </thead> <tbody> <tr> <td>Singular type</td> <td>57.7</td> <td>27.0</td> </tr> <tr> <td>Modular type</td> <td>55.7</td> <td>25.0</td> </tr> </tbody> </table>									A	B	Singular type	57.7	27.0	Modular type	55.7	25.0
	A	B														
Singular type	57.7	27.0														
Modular type	55.7	25.0														
※For panel cut-out dimensions, please refer to page A-100.																

Type	Appearance	Operating position		Model	Contact block		LED block	
					A contact	B contact	AC/DC voltage	AC voltage
Long shark-head lever, flush		3-position, spring return two-way		S3SFN-S6K □2A(M)	2	—	—	—
				S3SFN-S6K □2B(M)	—	2		
				S3SFN-S6K □AB(M)	1	1		
		3-position, maintained		S3SFN-S8K □2A(M)	2	—		
				S3SFN-S8K □2B(M)	—	2		
				S3SFN-S8K □AB(M)	1	1		
		3-position, spring return from right		S3SFN-SBK □2A(M)	2	—		
				S3SFN-SBK □2B(M)	—	2		
				S3SFN-SBK □AB(M)	1	1		
		3-position, spring return from left		S3SFN-SDK □2A(M)	2	—		
				S3SFN-SDK □2B(M)	—	2		
				S3SFN-SDK □AB(M)	1	1		
		3-position, spring return two-way		S3SFN-S6 □2A(M)	2	—		
				S3SFN-S6 □2B(M)	—	2		
				S3SFN-S6 □AB(M)	1	1		
		3-position, maintained		S3SFN-S8 □2A(M)	2	—		
				S3SFN-S8 □2B(M)	—	2		
				S3SFN-S8 □AB(M)	1	1		
		3-position, spring return from right		S3SFN-SB □2A(M)	2	—		
				S3SFN-SB □2B(M)	—	2		
				S3SFN-SB □AB(M)	1	1		
		3-position, spring return from left		S3SFN-SD □2A(M)	2	—		
				S3SFN-SD □2B(M)	—	2		
				S3SFN-SD □AB(M)	1	1		

※□ indicates color : **W**, **R**
 ※The M in the model name indicates modular type contact block. Models without M are singular contact block.
 ※The control unit and contact blocks are sold separately.
 (control unit: bold letters, contact block: regular letters)
 ※Connect up to 2 contact blocks. Connect the contact blocks only on the right and left side slots.
 It will not operate if connected to the center slot.

• Dimensions

(unit: mm)



	A	B
Singular type	57.7	27.0
Modular type	55.7	25.0

※For panel cut-out dimensions, please refer to page A-100.

Ø30 Selector Switches

Type	Appearance	Operating position		Model	Contact block		LED block	
					A contact	B contact	AC/DC voltage	AC voltage
Short shark-head lever, flush (illuminated)		2-position, spring return		S3SFN-L1A□AL(M)	1	—	—	1
				S3SFN-L1A□2AL(M)	2	—		
				S3SFN-L1A□BL(M)	—	1		
				S3SFN-L1A□2BL(M)	—	2		
				S3SFN-L1A□ABL(M)	1	1		
		2-position, maintained		S3SFN-L3A□AL(M)	1	—		
				S3SFN-L3A□2AL(M)	2	—		
				S3SFN-L3A□BL(M)	—	1		
				S3SFN-L3A□2BL(M)	—	2		
		2-position, spring return		S3SFN-L1B□AL(M)	1	—		
				S3SFN-L1B□2AL(M)	2	—		
				S3SFN-L1B□BL(M)	—	1		
				S3SFN-L1B□2BL(M)	—	2		
				S3SFN-L1B□ABL(M)	1	1		
		2-position, maintained		S3SFN-L3B□AL(M)	1	—		
				S3SFN-L3B□2AL(M)	2	—		
				S3SFN-L3B□BL(M)	—	1		
				S3SFN-L3B□2BL(M)	—	2		
		2-position, spring return		S3SFN-L1□AL(M)	1	—		
				S3SFN-L1□2AL(M)	2	—		
				S3SFN-L1□BL(M)	—	1		
				S3SFN-L1□2BL(M)	—	2		
				S3SFN-L1□ABL(M)	1	1		

※□ indicates color : R, B, G, Y

※The M in the model name indicates modular type contact block. Models without M are singular contact block.

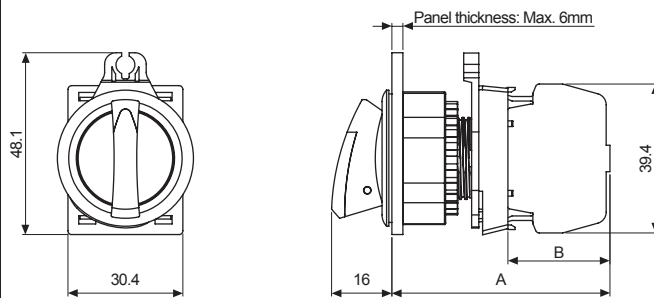
※Connect up to 2 contact blocks. Connect the contact blocks only on the right and left side slots.

It will not operate if connected to the center slot.

※The LED color is the same as the control unit.





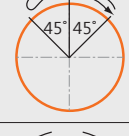
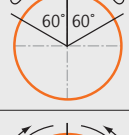
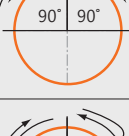
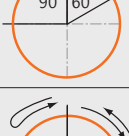

• Dimensions

(unit: mm)



	A	B
Singular type	57.7	27.0
Modular type	55.7	25.0

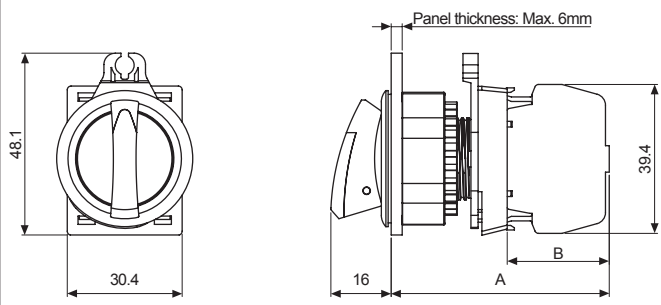
※For panel cut-out dimensions, please refer to page A-100.

Type	Appearance	Operating position		Model	Contact block		LED block	
					A contact	B contact	AC/DC voltage	AC voltage
Short shark-head lever, flush (illuminated)		3-position, spring return two-way		S3SFN-L5K□2AL(M)	2	—	—	1
				S3SFN-L5K□2BL(M)	—	2		
				S3SFN-L5K□ABL(M)	1	1		
		3-position, maintained		S3SFN-L7K□2AL(M)	2	—		
				S3SFN-L7K□2BL(M)	—	2		
				S3SFN-L7K□ABL(M)	1	1		
		3-position, spring return from right		S3SFN-LAK□2AL(M)	2	—		
				S3SFN-LAK□2BL(M)	—	2		
				S3SFN-LAK□ABL(M)	1	1		
		3-position, spring return from left		S3SFN-LCK□2AL(M)	2	—		
				S3SFN-LCK□2BL(M)	—	2		
				S3SFN-LCK□ABL(M)	1	1		
		3-position, spring return two-way		S3SFN-L5□2AL(M)	2	—		
				S3SFN-L5□2BL(M)	—	2		
				S3SFN-L5□ABL(M)	1	1		
		3-position, maintained		S3SFN-L7□2AL(M)	2	—		
				S3SFN-L7□2BL(M)	—	2		
				S3SFN-L7□ABL(M)	1	1		
		3-position, spring return from right		S3SFN-LA□2AL(M)	2	—		
				S3SFN-LA□2BL(M)	—	2		
				S3SFN-LA□ABL(M)	1	1		
		3-position, spring return from left		S3SFN-LC□2AL(M)	2	—		
				S3SFN-LC□2BL(M)	—	2		
				S3SFN-LC□ABL(M)	1	1		

※□ indicates color : R, B, G, Y
 ※The M in the model name indicates modular type contact block. Models without M are singular contact block.
 ※Connect up to 2 contact blocks. Connect the contact blocks only on the right and left side slots. It will not operate if connected to the center slot.
 ※The LED color is the same as the control unit.

• Dimensions

(unit: mm)



	A	B
Singular type	57.7	27.0
Modular type	55.7	25.0

※For panel cut-out dimensions, please refer to page A-100.

Ø30 Selector Switches

Type	Appearance	Operating position		Model	Contact block		LED block	
					A contact	B contact	AC/DC voltage	AC voltage
Short shark-head lever, flush (illuminated)	 S3SFN-L1AG□ 	2-position, spring return		S3SFN-L1A□AD(M)	1	—	1	—
				S3SFN-L1A□2AD(M)	2	—		
				S3SFN-L1A□BD(M)	—	1		
				S3SFN-L1A□2BD(M)	—	2		
		2-position, maintained		S3SFN-L3A□AD(M)	1	—		
				S3SFN-L3A□2AD(M)	2	—		
				S3SFN-L3A□BD(M)	—	1		
				S3SFN-L3A□2BD(M)	—	2		
		2-position, spring return		S3SFN-L1B□AD(M)	1	—		
				S3SFN-L1B□2AD(M)	2	—		
				S3SFN-L1B□BD(M)	—	1		
				S3SFN-L1B□2BD(M)	—	2		
		2-position, maintained		S3SFN-L3B□AD(M)	1	—		
				S3SFN-L3B□2AD(M)	2	—		
				S3SFN-L3B□BD(M)	—	1		
				S3SFN-L3B□2BD(M)	—	2		
		2-position, spring return		S3SFN-L1□AD(M)	1	—		
				S3SFN-L1□2AD(M)	2	—		
				S3SFN-L1□BD(M)	—	1		
				S3SFN-L1□2BD(M)	—	2		
					1	1		

※□ indicates color : ■ ■ ■ ■

※The M in the model name indicates modular type contact block. Models without M are singular contact block.

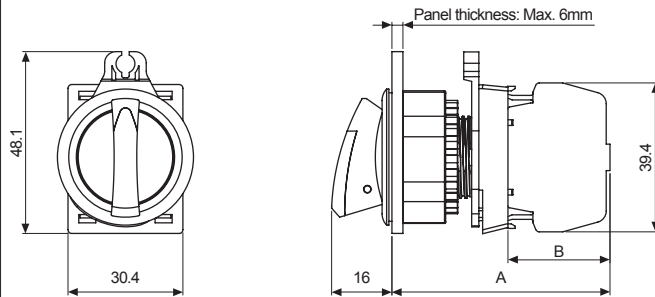
※Connect up to 2 contact blocks. Connect the contact blocks only on the right and left side slots.

It will not operate if connected to the center slot.

※The LED color is the same as the control unit.

• Dimensions

(unit: mm)



	A	B
Singular type	57.7	27.0
Modular type	55.7	25.0

※For panel cut-out dimensions, please refer to page A-100.

Control Switches

- Ø16
- Ø22/25
- Ø30
- 30

- Push Button Switches
- Round
 - Square
 - Rectangular

- Selector Switches
- Round
 - Square
 - Rectangular

- Key Selector Switches
- Round
 - Square
 - Rectangular

- Double Push Button Switches


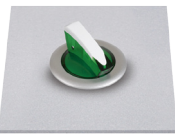




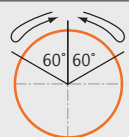
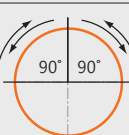
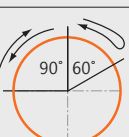
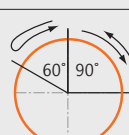
- Mushroom-head Push Button Switches

- Emergency Switches

- Pilot Lights

- Accessories

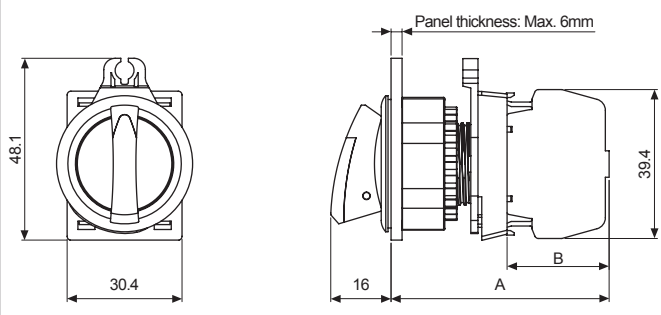
- Buzzers

Type	Appearance	Operating position		Model	Contact block		LED block	
					A contact	B contact	AC/DC voltage	AC voltage
Short shark-head lever, flush (illuminated)	 S3SFN-L1AG□ 	3-position, spring return two-way		S3SFN-L5K□2AD(M)	2	—	1	—
				S3SFN-L5K□2BD(M)	—	2		
				S3SFN-L5K□ABD(M)	1	1		
		3-position, maintained		S3SFN-L7K□2AD(M)	2	—		
				S3SFN-L7K□2BD(M)	—	2		
				S3SFN-L7K□ABD(M)	1	1		
		3-position, spring return from right		S3SFN-LAK□2AD(M)	2	—		
				S3SFN-LAK□2BD(M)	—	2		
				S3SFN-LAK□ABD(M)	1	1		
		3-position, spring return from left		S3SFN-LCK□2AD(M)	2	—		
				S3SFN-LCK□2BD(M)	—	2		
				S3SFN-LCK□ABD(M)	1	1		
		3-position, spring return two-way		S3SFN-L5□2AD(M)	2	—		
				S3SFN-L5□2BD(M)	—	2		
				S3SFN-L5□ABD(M)	1	1		
		3-position, maintained		S3SFN-L7□2AD(M)	2	—		
				S3SFN-L7□2BD(M)	—	2		
				S3SFN-L7□ABD(M)	1	1		
		3-position, spring return from right		S3SFN-LA□2AD(M)	2	—		
				S3SFN-LA□2BD(M)	—	2		
				S3SFN-LA□ABD(M)	1	1		
		3-position, spring return from left		S3SFN-LC□2AD(M)	2	—		
				S3SFN-LC□2BD(M)	—	2		
				S3SFN-LC□ABD(M)	1	1		

※□ indicates color : R, B, G, Y
 ※The M in the model name indicates modular type contact block. Models without M are singular contact block.
 ※Connect up to 2 contact blocks. Connect the contact blocks only on the right and left side slots.
 It will not operate if connected to the center slot.
 ※The LED color is the same as the control unit.

• Dimensions

(unit: mm)



	A	B
Singular type	57.7	27.0
Modular type	55.7	25.0

※For panel cut-out dimensions, please refer to page A-100.

Ø30 Selector Switches

Type	Appearance	Operating position	Model	Contact block		LED block	
				A contact	B contact	AC/DC voltage	AC voltage
Long shark-head lever, flush (illuminated)	 S3SFN-L2AG 	2-position, spring return 	S3SFN-L2A□AL(M)	1	—	—	1
			S3SFN-L2A□2AL(M)	2	—		
			S3SFN-L2A□BL(M)	—	1		
			S3SFN-L2A□2BL(M)	—	2		
			S3SFN-L2A□ABL(M)	1	1		
		2-position, maintained 	S3SFN-L4A□AL(M)	1	—		
			S3SFN-L4A□2AL(M)	2	—		
			S3SFN-L4A□BL(M)	—	1		
			S3SFN-L4A□2BL(M)	—	2		
			S3SFN-L4A□ABL(M)	1	1		
		2-position, spring return 	S3SFN-L2B□AL(M)	1	—		
			S3SFN-L2B□2AL(M)	2	—		
			S3SFN-L2B□BL(M)	—	1		
			S3SFN-L2B□2BL(M)	—	2		
			S3SFN-L2B□ABL(M)	1	1		
		2-position, maintained 	S3SFN-L4B□AL(M)	1	—		
			S3SFN-L4B□2AL(M)	2	—		
			S3SFN-L4B□BL(M)	—	1		
			S3SFN-L4B□2BL(M)	—	2		
			S3SFN-L4B□ABL(M)	1	1		
2-position, spring return 	S3SFN-L2□AL(M)	1	—				
	S3SFN-L2□2AL(M)	2	—				
	S3SFN-L2□BL(M)	—	1				
	S3SFN-L2□2BL(M)	—	2				
	S3SFN-L2□ABL(M)	1	1				

※□ indicates color : R, B, G, Y

※The M in the model name indicates modular type contact block. Models without M are singular contact block.

※The control unit, contact blocks, LED blocks are sold separately.

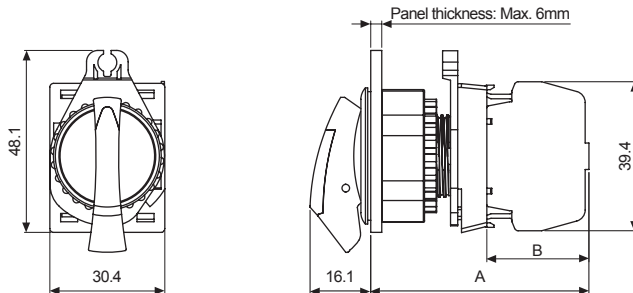
(control unit: bold letters, contact and LED block: regular letters)

※Connect up to 2 contact blocks. Connect the contact blocks only on the right and left side slots. It will not operate if connected to the center slot.

※The LED color is the same as the control unit.

• Dimensions

(unit: mm)



	A	B
Singular type	57.7	27.0
Modular type	55.7	25.0

※For panel cut-out dimensions, please refer to page A-100.



Control Switches

Ø16

Ø22/25

Ø30

□30

Push Button Switches

Round

Square

Rectangular

Selector Switches

Round

Square

Rectangular

Key Selector Switches

Round

Square

Rectangular

Double Push Button Switches








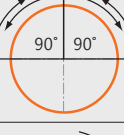
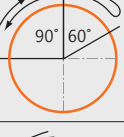

Mushroom-head Push Button Switches

Emergency Switches

Pilot Lights

Accessories

Buzzers

Type	Appearance	Operating position	Model	Contact block		LED block	
				A contact	B contact	AC/DC voltage	AC voltage
Long shark-head lever, flush (illuminated)	 S3SFN-L2AG□ 	3-position, spring return two-way	 S3SFN-L6K□2AL(M)	2	—	—	1
			S3SFN-L6K□2BL(M)	—	2		
			S3SFN-L6K□ABL(M)	1	1		
		3-position, maintained	 S3SFN-L8K□2AL(M)	2	—		
			S3SFN-L8K□2BL(M)	—	2		
			S3SFN-L8K□ABL(M)	1	1		
		3-position, spring return from right	 S3SFN-LBK□2AL(M)	2	—		
			S3SFN-LBK□2BL(M)	—	2		
			S3SFN-LBK□ABL(M)	1	1		
		3-position, spring return from left	 S3SFN-LDK□2AL(M)	2	—		
			S3SFN-LDK□2BL(M)	—	2		
			S3SFN-LDK□ABL(M)	1	1		
		3-position, spring return two-way	 S3SFN-L6□2AL(M)	2	—		
			S3SFN-L6□2BL(M)	—	2		
			S3SFN-L6□ABL(M)	1	1		
		3-position, maintained	 S3SFN-L8□2AL(M)	2	—		
			S3SFN-L8□2BL(M)	—	2		
			S3SFN-L8□ABL(M)	1	1		
		3-position, spring return from right	 S3SFN-LB□2AL(M)	2	—		
			S3SFN-LB□2BL(M)	—	2		
			S3SFN-LB□ABL(M)	1	1		
		3-position, spring return from left	 S3SFN-LD□2AL(M)	2	—		
			S3SFN-LD□2BL(M)	—	2		
			S3SFN-LD□ABL(M)	1	1		

※□ indicates color : **R**, **B**, **G**, **Y**

※The M in the model name indicates modular type contact block. Models without M are singular contact block.

※The control unit, contact blocks, LED blocks are sold separately.

(control unit: bold letters, contact and LED block: regular letters)

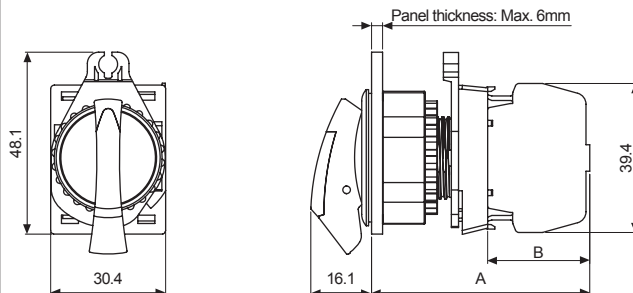
※Connect up to 2 contact blocks. Connect the contact blocks only on the right and left side slots.

It will not operate if connected to the center slot.

※The LED color is the same as the control unit.

• Dimensions

(unit: mm)



	A	B
Singular type	57.7	27.0
Modular type	55.7	25.0

※For panel cut-out dimensions, please refer to page A-100.

Ø30 Selector Switches

Type	Appearance	Operating position		Model	Contact block		LED block	
					A contact	B contact	AC/DC voltage	AC voltage
Long shark-head lever, flush (illuminated)	 S3SFN-L2AG□ 	2-position, spring return		S3SFN-L2A□AD(M)	1	—	1	—
				S3SFN-L2A□2AD(M)	2	—		
				S3SFN-L2A□BD(M)	—	1		
				S3SFN-L2A□2BD(M)	—	2		
				S3SFN-L2A□ABD(M)	1	1		
		2-position, maintained		S3SFN-L4A□AD(M)	1	—		
				S3SFN-L4A□2AD(M)	2	—		
				S3SFN-L4A□BD(M)	—	1		
				S3SFN-L4A□2BD(M)	—	2		
				S3SFN-L4A□ABD(M)	1	1		
		2-position, spring return		S3SFN-L2B□AD(M)	1	—		
				S3SFN-L2B□2AD(M)	2	—		
				S3SFN-L2B□BD(M)	—	1		
				S3SFN-L2B□2BD(M)	—	2		
				S3SFN-L2B□ABD(M)	1	1		
		2-position, maintained		S3SFN-L4B□AD(M)	1	—		
				S3SFN-L4B□2AD(M)	2	—		
				S3SFN-L4B□BD(M)	—	1		
				S3SFN-L4B□2BD(M)	—	2		
				S3SFN-L4B□ABD(M)	1	1		
2-position, spring return		S3SFN-L2□AD(M)	1	—				
		S3SFN-L2□2AD(M)	2	—				
		S3SFN-L2□BD(M)	—	1				
		S3SFN-L2□2BD(M)	—	2				
		S3SFN-L2□ABD(M)	1	1				

※□ indicates color : R, B, G, Y

※The M in the model name indicates modular type contact block. Models without M are singular contact block.

※The control unit, contact blocks, LED blocks are sold separately.

(control unit: bold letters, contact and LED block: regular letters)

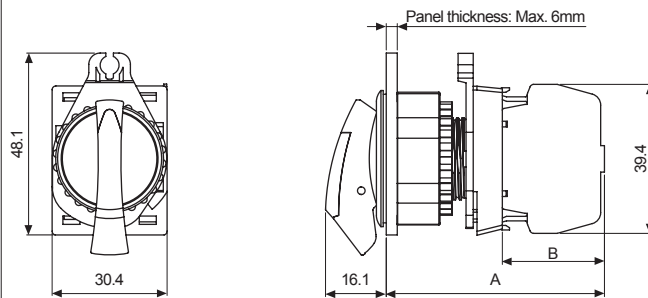
※Connect up to 2 contact blocks. Connect the contact blocks only on the right and left side slots.

It will not operate if connected to the center slot.

※The LED color is the same as the control unit.








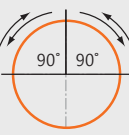
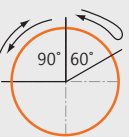
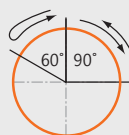
• Dimensions

(unit: mm)



	A	B
Singular type	57.7	27.0
Modular type	55.7	25.0

※For panel cut-out dimensions, please refer to page A-100.

Type	Appearance	Operating position	Model	Contact block		LED block	
				A contact	B contact	AC/DC voltage	AC voltage
Long shark-head lever, flush (illuminated)	 S3SFN-L2AG□ 	3-position, spring return two-way	 S3SFN-L6K□2AD(M)	2	—	1	—
			S3SFN-L6K□2BD(M)	—	2		
			S3SFN-L6K□ABD(M)	1	1		
		3-position, maintained	 S3SFN-L8K□2AD(M)	2	—		
			S3SFN-L8K□2BD(M)	—	2		
			S3SFN-L8K□ABD(M)	1	1		
		3-position, spring return from right	 S3SFN-LBK□2AD(M)	2	—		
			S3SFN-LBK□2BD(M)	—	2		
			S3SFN-LBK□ABD(M)	1	1		
		3-position, spring return from left	 S3SFN-LDK□2AD(M)	2	—		
			S3SFN-LDK□2BD(M)	—	2		
			S3SFN-LDK□ABD(M)	1	1		
		3-position, spring return two-way	 S3SFN-L6□2AD(M)	2	—		
			S3SFN-L6□2BD(M)	—	2		
			S3SFN-L6□ABD(M)	1	1		
		3-position, maintained	 S3SFN-L8□2AD(M)	2	—		
			S3SFN-L8□2BD(M)	—	2		
			S3SFN-L8□ABD(M)	1	1		
		3-position, spring return from right	 S3SFN-LB□2AD(M)	2	—		
			S3SFN-LB□2BD(M)	—	2		
			S3SFN-LB□ABD(M)	1	1		
		3-position, spring return from left	 S3SFN-LD□2AD(M)	2	—		
			S3SFN-LD□2BD(M)	—	2		
			S3SFN-LD□ABD(M)	1	1		

※□ indicates color : R, B, G, Y

※The M in the model name indicates modular type contact block. Models without M are singular contact block.

※The control unit, contact blocks, LED blocks are sold separately.

(control unit: bold letters, contact and LED block: regular letters)

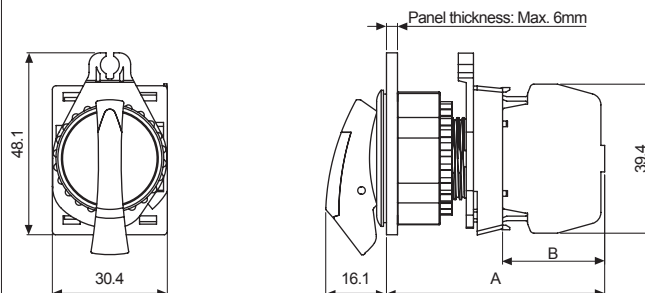
※Connect up to 2 contact blocks. Connect the contact blocks only on the right and left side slots.

It will not operate if connected to the center slot.

※The LED color is the same as the control unit.

• Dimensions

(unit: mm)


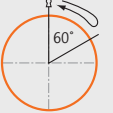


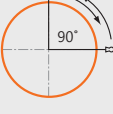
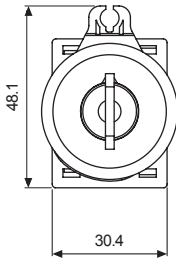
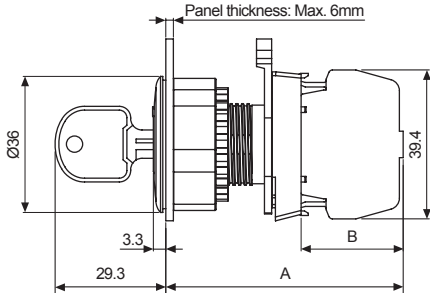


	A	B
Singular type	57.7	27.0
Modular type	55.7	25.0

※For panel cut-out dimensions, please refer to page A-100.



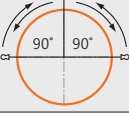

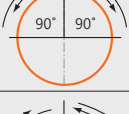
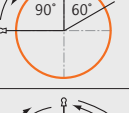
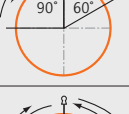




Ø30 Key Selector Switches

Ø30 Round Key Selector Switches (S3KF Series)

Type	Appearance	Model	Contact block		LED block										
			A contact	B contact	AC/DC voltage	AC voltage									
Flush	 S3KF-1ES□	2-position, spring return key removal: center 	S3KF-1ESA(M)	1	—	—	—								
			S3KF-1ES2A(M)	2	—										
			S3KF-1ESB(M)	—	1										
			S3KF-1ES2B(M)	—	2										
			S3KF-1ESAB(M)	1	1										
		2-position, maintained key removal: right 	S3KF-2DSA(M)	1	—										
			S3KF-2DS2A(M)	2	—										
			S3KF-2DSB(M)	—	1										
			S3KF-2DS2B(M)	—	2										
			S3KF-2DSAB(M)	1	1										
		2-position, maintained key removal: center 	S3KF-2ESA(M)	1	—										
			S3KF-2ES2A(M)	2	—										
			S3KF-2ESB(M)	—	1										
			S3KF-2ES2B(M)	—	2										
			S3KF-2ESAB(M)	1	1										
		2-position, maintained key removal: center + right 	S3KF-2FSA(M)	1	—										
			S3KF-2FS2A(M)	2	—										
			S3KF-2FSB(M)	—	1										
			S3KF-2FS2B(M)	—	2										
			S3KF-2FSAB(M)	1	1										
※The M in the model name indicates modular type contact block. Models without M are singular contact block. ※The control unit, contact blocks, LED blocks are sold separately. (control unit: bold letters, contact block: regular letters) ※Connect up to 2 contact blocks. Connect the contact blocks only on the right and left side slots. It will not operate if connected to the center slot.															
• Dimensions (unit: mm)															
  <table border="1" data-bbox="1197 1444 1436 1523"> <thead> <tr> <th></th> <th>A</th> <th>B</th> </tr> </thead> <tbody> <tr> <td>Singular type</td> <td>62.8</td> <td>27.0</td> </tr> <tr> <td>Modular type</td> <td>60.8</td> <td>25.0</td> </tr> </tbody> </table>								A	B	Singular type	62.8	27.0	Modular type	60.8	25.0
	A	B													
Singular type	62.8	27.0													
Modular type	60.8	25.0													
※For panel cut-out dimensions, please refer to page A-100.															

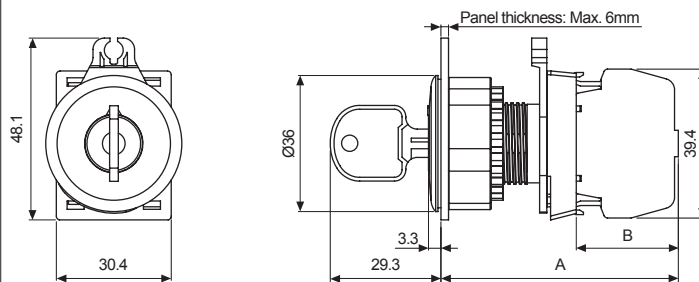
Ø30 Key Selector Switches

Control Switches

Type	Appearance	Model	Contact block		LED block			
			A contact	B contact	AC/DC voltage	AC voltage		
Flush	 <p>S3KF-3ES□</p>	3-position, spring return two-way key removal: center		S3KF-3ES2A(M)	2	—	—	—
			S3KF-3ES2B(M)	—	2			
			S3KF-3ESAB(M)	1	1			
		3-position, maintained key removal: left + right		S3KF-4BS2A(M)	2	—		
			S3KF-4BS2B(M)	—	2			
			S3KF-4BSAB(M)	1	1			
		3-position, maintained key removal: left+center + right		S3KF-4CS2A(M)	2	—		
			S3KF-4CS2B(M)	—	2			
			S3KF-4CSAB(M)	1	1			
		3-position, maintained key removal: center		S3KF-4ES2A(M)	2	—		
			S3KF-4ES2B(M)	—	2			
			S3KF-4ESAB(M)	1	1			
		3-position, spring return from right key removal: left		S3KF-5AS2A(M)	2	—		
			S3KF-5AS2B(M)	—	2			
			S3KF-5ASAB(M)	1	1			
		3-position, spring return from right key removal: center		S3KF-5ES2A(M)	2	—		
			S3KF-5ES2B(M)	—	2			
			S3KF-5ESAB(M)	1	1			
		3-position, spring return from left key removal: left+center		S3KF-5GS2A(M)	2	—		
			S3KF-5GS2B(M)	—	2			
			S3KF-5GSAB(M)	1	1			
		3-position, spring return from left key removal: right		S3KF-6DS2A(M)	2	—		
			S3KF-6DS2B(M)	—	2			
			S3KF-6DSAB(M)	1	1			
3-position, spring return from left key removal: center		S3KF-6ES2A(M)	2	—				
	S3KF-6ES2B(M)	—	2					
	S3KF-6ESAB(M)	1	1					
3-position, spring return from left key removal: center + right		S3KF-6FS2A(M)	2	—				
	S3KF-6FS2B(M)	—	2					
	S3KF-6FSAB(M)	1	1					

※The M in the model name indicates modular type contact block. Models without M are singular contact block.
 ※The control unit, contact blocks, LED blocks are sold separately.
 (control unit: bold letters, contact block: regular letters)
 ※Connect up to 2 contact blocks. Connect the contact blocks only on the right and left side slots.
 It will not operate if connected to the center slot.

• Dimensions



(unit: mm)

	A	B
Singular type	62.8	27.0
Modular type	60.8	25.0

※For panel cut-out dimensions, please refer to page A-100.

Push Button Switches

Round
Square
Rectangular

Selector Switches

Round
Square
Rectangular

Key Selector Switches

Round
Square
Rectangular

Double Push Button Switches

Mushroom-head Push Button Switches



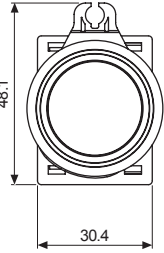
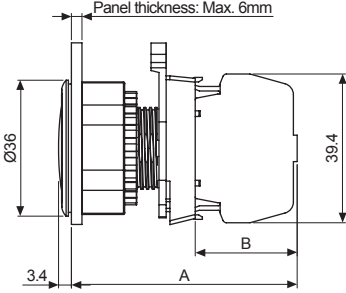
Emergency Switches

Pilot Lights

Accessories

Buzzers

Ø30 Pilot Lights (L3RF Series)

Type	Appearance	Model	Contact block		LED block										
			A contact	B contact	AC/DC voltage	AC voltage									
Flat round (flush)	 L3RF-L3G□ 	L3RF(U)-L3□D(M)	—	—	1	—									
		L3RF(U)-L3□L(M)	—	—	—	1									
※□ indicates color : R , B , G , Y , W ※The M in the model name indicates modular type LED block. Models without M are singular LED block. ※Models without 'U' in the model name contain "Lamp" markings on the light cap. ※The light unit and LED blocks are sold separately. (light unit: bold letters, LED block: regular letters) ※The LED color is the same as the control unit.															
• Dimensions (unit: mm)															
						<table border="1"> <thead> <tr> <th></th> <th>A</th> <th>B</th> </tr> </thead> <tbody> <tr> <td>Singular type</td> <td>59.8</td> <td>27.0</td> </tr> <tr> <td>Modular type</td> <td>57.8</td> <td>25.0</td> </tr> </tbody> </table>		A	B	Singular type	59.8	27.0	Modular type	57.8	25.0
	A	B													
Singular type	59.8	27.0													
Modular type	57.8	25.0													
※For panel cut-out dimensions, please refer to page A-100.															

Ø30 Panel Cut-out Dimensions

(unit: mm)

Type		A	B	Panel Cut-out Dimensions
Round Push Button Switches (S3PR/S3PF Series)		45	55	
Round Selector Switches (S3SF/S3SFN Series)	Short lever 	37	55	
	Long lever 	55	55	
Round Key Selector Switches (S3KF Series)		37	55	
Pilot Lights (L3RF Series)		37	55	