

DESCRIPTION:-

These loadcells are built from high carbon steel and is plated to withstand very hostile environmental conditions. It has an IP 68 rating and is well suited for road/rail weigh bridges, hopper, tank and silo weighing systems

APPLICATIONS:-

Wagon Weighing, Ladle Weighing, Hopper/Silo/Tank Weighing

SPECIFICATIONS:-

PARAMETERS	SPECIFIED VALUE
Type	Double Shear
Capacity (Tons)	3,5,7,10
Rated Output (mV/ V) ± 0.01	2/2.5/3.0
Combined error (% R.O.) \pm	0.05
Repeatability (%R.0) \pm	0.05
Creep on Load (30 min)(%R.O.) \pm	0.05
Zero Balance Voltage (% of FSO)	0.003
In-put resistance (Ohms) ± 10	390
Out-put resistance(Ohms) ± 2	350
Compensated Temp.Range ($^{\circ}$ C)	5-55
Operating Temp. ($^{\circ}$ C)	5-70
Temp.Effect on Span (%/ $^{\circ}$ C)	0.003
Temp.Effect on Tare (%/ $^{\circ}$ C)	0.008
Excitation Voltage (DC 12 V Max)	10
Safe Overload (%)	200
Ultimate Overload (%)	300
Protection Class	IP-68
Insulation Resistance Bridge(Ohms)	>1000 M
Cable	4 Core Shielded 4 Mtrs

OUTER DIMENSIONS in mm:-

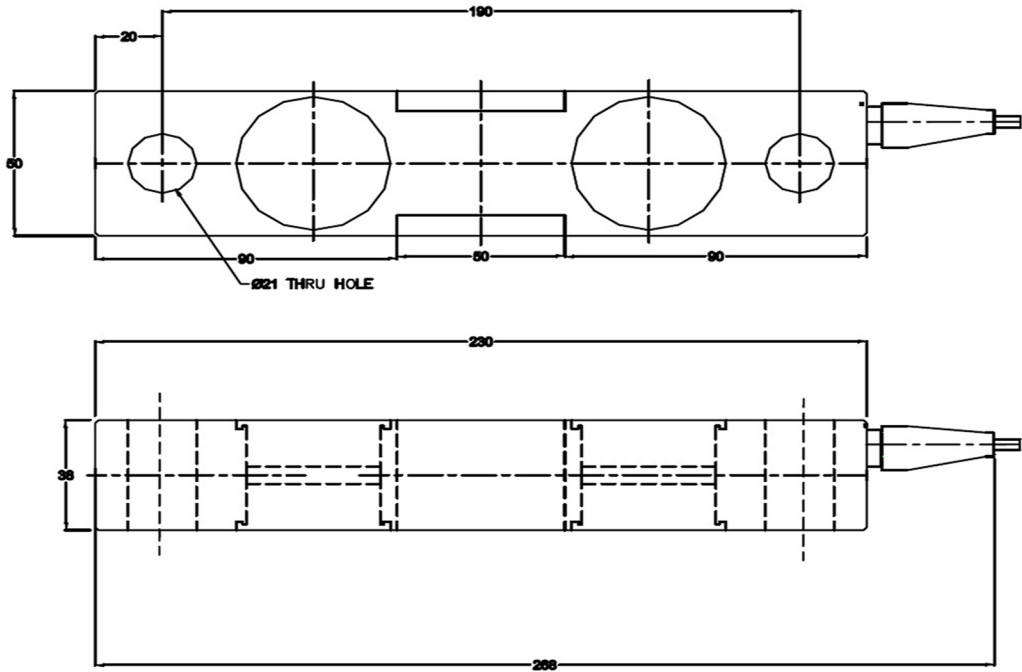
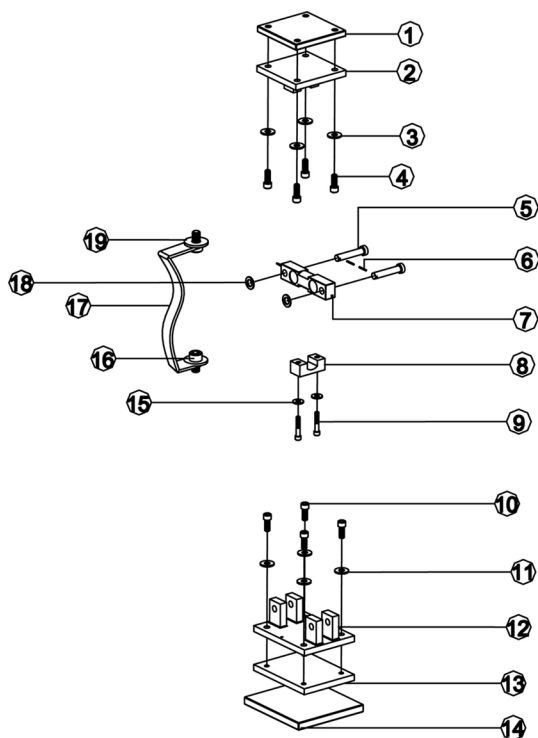


TABLE:-

CAPACITY IN TONS	MODEL NO
3	SH033H0
5	SH053H0
7	SH073H0
10	SH014H0

EXPLODED VIEW



PART LIST

PART NO	DESCRIPTION	QTY./ ASSY
1	TOP PLATE	1
2	LOADING FRAME	1
3	PLAIN WASHER	4
4	SOCKET HEAD CAP SCREW	4
5	ROD	2
6	SPLIT PIN	2
7	LOAD CELL -SH	1
8	BOTTOM BLOCK	1
9	HEX. HEAD BOLT	2
10	HEX. HEAD BOLT	2
11	PLAIN WASHER	4
12	BASE PLATE	4
13	BOTTOM PLATE	1
14	LOAD CELL BASE FRAME	1
15	PLAIN WASHER	1
16	HEX.HEAD BOLT	2
17	COPPER BRAIDE	1
18	PLAIN WASHER	2
19	PLAIN WASHER	2

ASSEMBLED VIEW

