



## DESCRIPTION:-

Similar to the bending beam, the shear beam loadcells can be used in very harsh industrial environments for measurement of compressive and tensile forces.

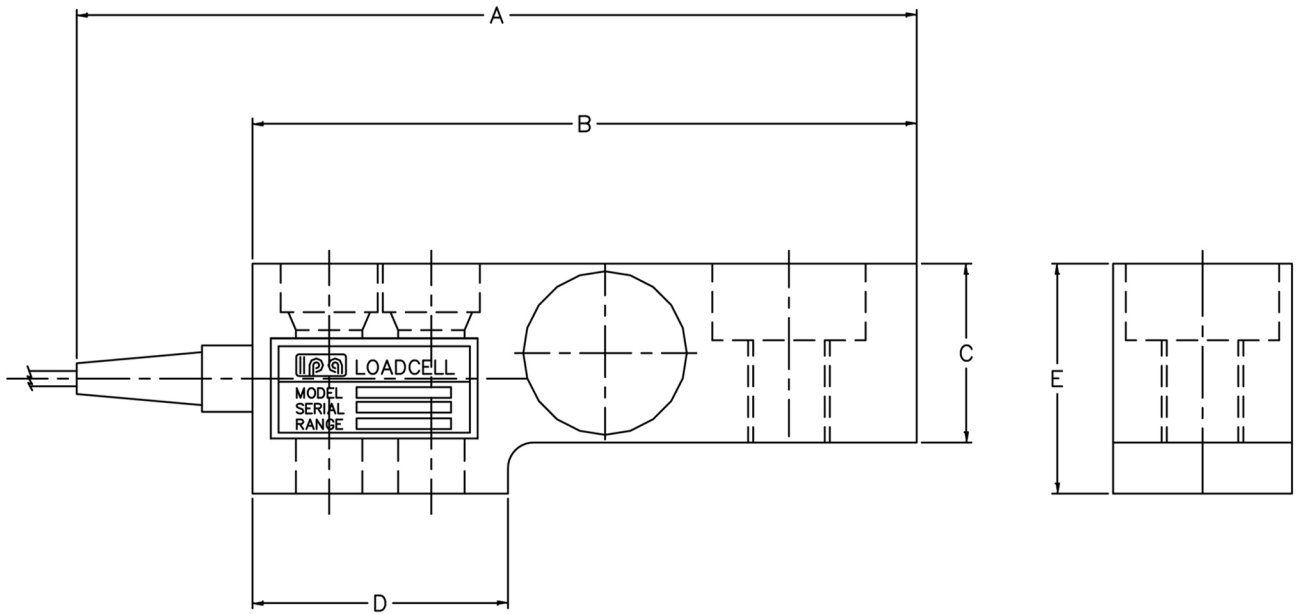
## APPLICATIONS:-

Tank weighing and vessel weighing, dynamic weighing typically in conveyor applications, platform scales etc.

## SPECIFICATIONS:-

PARAMETERS	SPECIFIED VALUE	
Type	Single Shear	
Capacity (Tons )	1-2	3-7
Rated Output (mV/ V) $\pm 0.01$	1.5	2
Combined error (% R.O.) $\pm$	0.05	0.05
Repeatability (%R.O) $\pm$	0.05	0.05
Creep on Load (30 min)(%R.O. ) $\pm$	0.05	0.05
Zero Balance Voltage (% of FSO)	0.003	0.003
In-put resistance (Ohms) $\pm 10$	390	390
Out-put resistance(Ohms) $\pm 2$	350	350
Compensated Temp.Range ( $^{\circ}$ C)	5-55	5-55
Operating Temp. ( $^{\circ}$ C)	5-70	5-70
Temp.Effect on Span (%/ $^{\circ}$ C)	0.003	0.003
Temp.Effect on Tare (%/ $^{\circ}$ C)	0.008	0.008
Excitation Voltage (DC 12 V Max)	10	10
Safe Overload (%)	200	200
Ultimate Overload (%)	300	300
Protection Class	IP-68	IP-68
Insulation Resistance Bridge(Ohms)	>1000 M	>1000 M
Cable	4 Core Shielded 4mtrs	

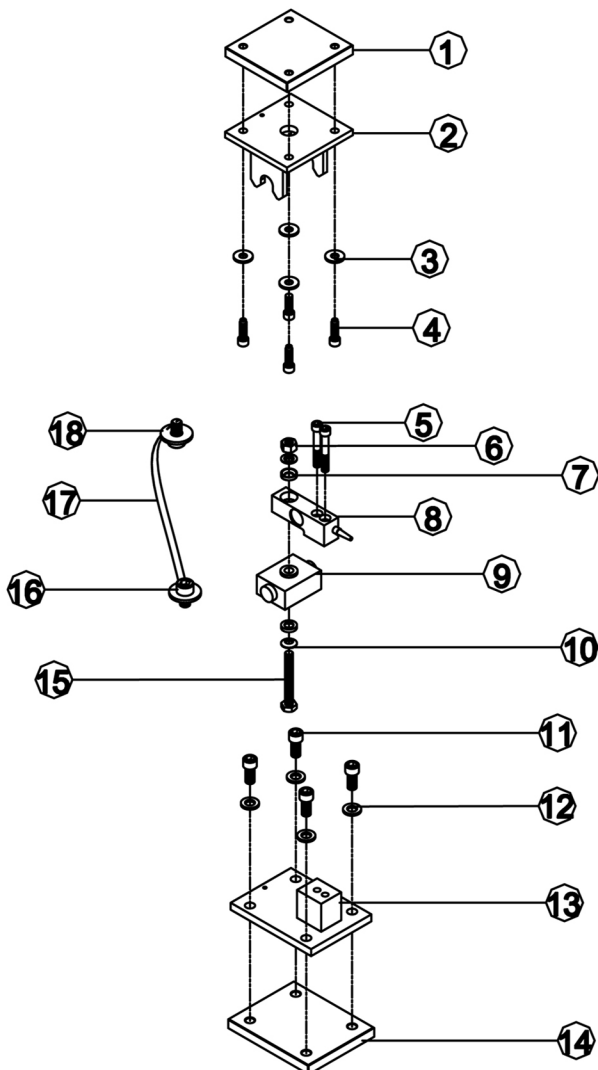
## OUTER DIMENSIONS in mm:-



## DIMENSION DETAILS:-

CAPACITY (Ton)	MODEL NO	DIMENSIONS (mm)				
		A	B	C	D	E
1,1.5,2	SB013H0,SB152H0,SB023H0	180	130	35	50	45
3,5,7	SB033H0,SB053H0,SB073H0	235	185	50	100	60

## EXPLODED VIEW



## PART LIST

NO	DESCRIPTION	QTY./ ASSY
1	TOP PLATE	1
2	LOADING FRAME	1
3	PLAIN WASHER	4
4	SOCKET HEAD CAP SCREW	4
5	SOCKET HEAD CAP SCREW	2
6	LOCK NUT	1
7	CONICAL SEAT	2
8	LOAD CELL -SB	1
9	LOADING BLOCK	1
10	SPHERICAL WASHER	2
11	SOCKET HEAD CAP SCREW	4
12	PLAIN WASHER	4
13	LOAD CELL BASE FRAME	1
14	BASE PLATE	1
15	HEX HEAD BOLT	1
16	HEX HEAD BOLT	2
17	COPPER BRAIDE	1
18	PLAIN WASHER	2

## ASSEMBLED VIEW

