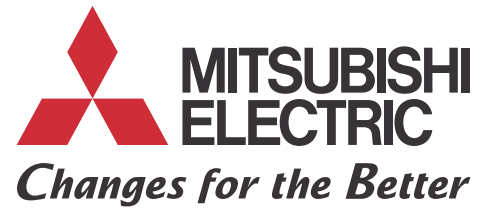
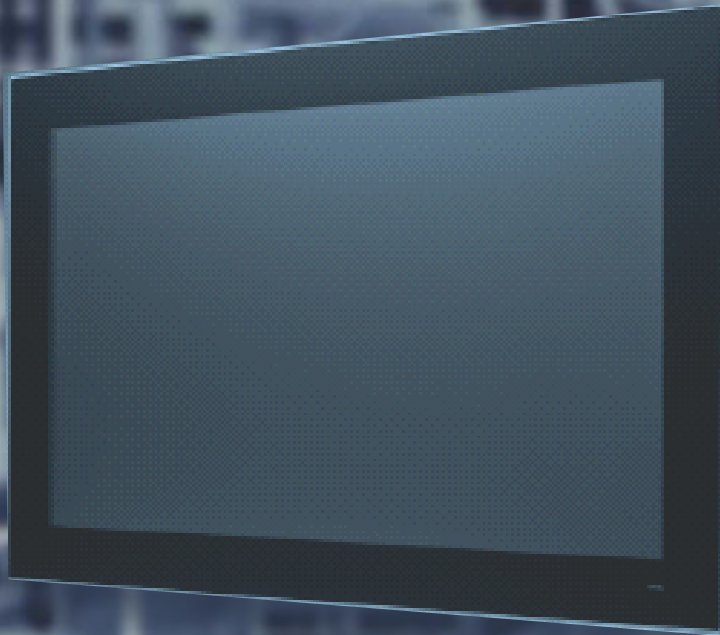




for a greener tomorrow



## INDUSTRIAL PC

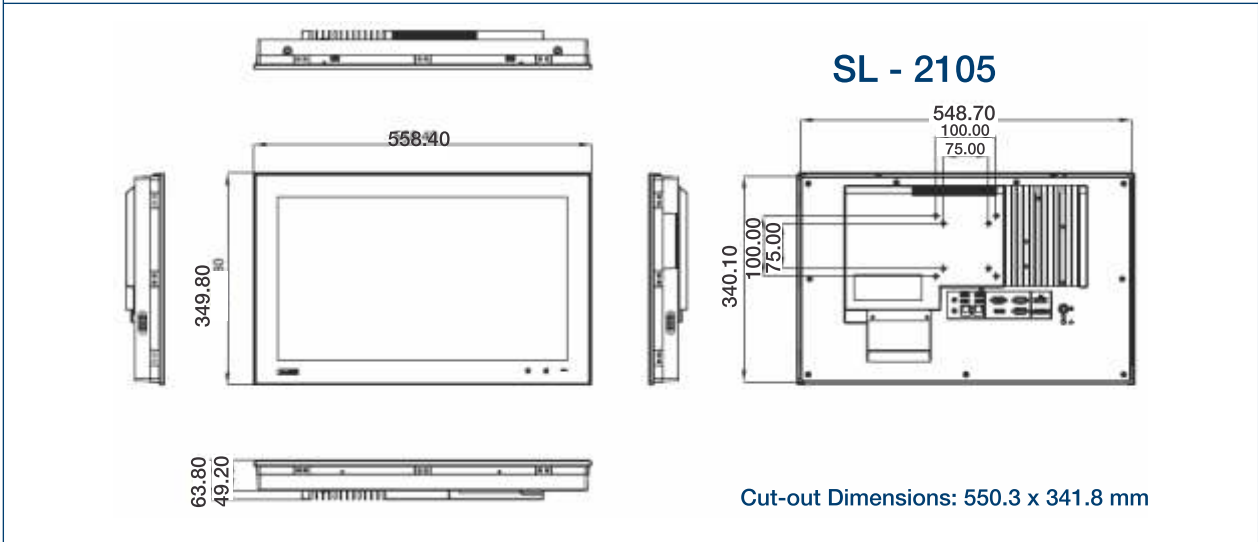
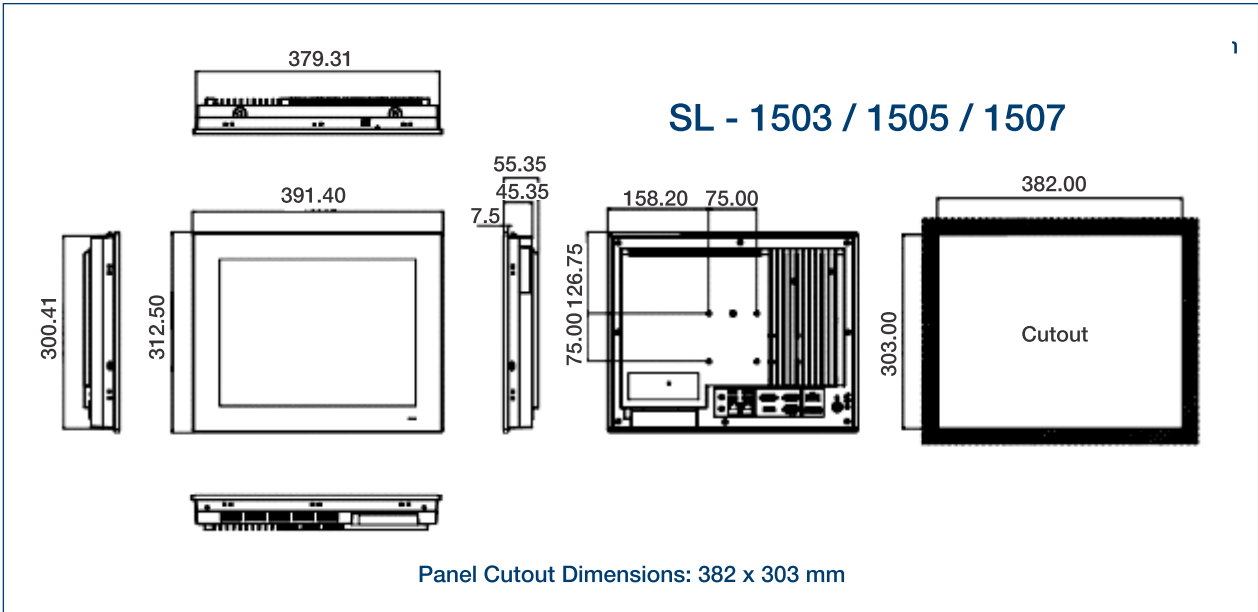


- High-performance Intel® Core™ 6<sup>th</sup> generation processors
- True Flat industrial grade display
- Dual storage 128 GB SSD for Operating System
- Win10 ENTLSB
- Compact fanless system design
- IP65 rated front panel

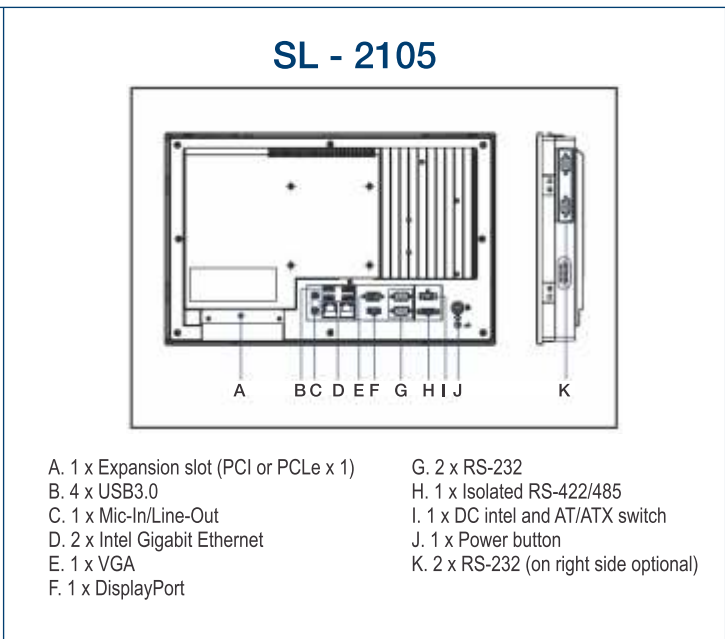
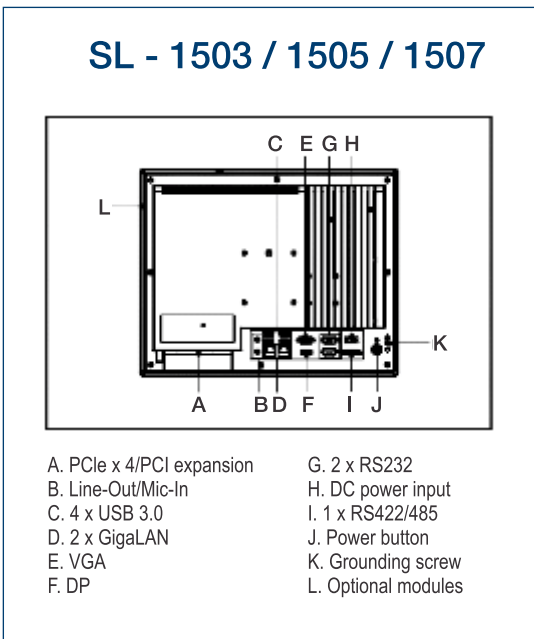
# Specifications

Model		SL-1503	SL-1505	SL-1507	SL-2105
Processor	CPU	Intel® Core™ i3-6100U (dual core)	Intel® Core™ i5-6300U (dual core)	Intel® Core™ i7-6600U (dual core)	Intel® Core™ i5-6300U (dual core)
	Frequency	2.3 GHz	2.4 GHz, Turbo Boost up to 3.0 GHz	2.6 GHz, Turbo Boost up to 3.4 GHz	2.4 GHz, Turbo Boost up to 3.0 GHz
	Smart Cache	3 MB	3 MB	4 MB	3 MB
	RAM Memory	8 GB – DDR4			
	Storage	1 x 128 GB SSD (0~70°C), 1 x 1 TB HDD			
	Network (LAN)	2 x 10/100/1000 Mbps Ethernet (Intel® I211-AT; Intel® I219LM)			
	I/O	3 x Serial ports (2 x RS-232, 1 x RS-422/485 with 1K VDC isolation) 4 x USB 3.0 ports at rear 1 x Line-Out, 1 x Mic-In 1 x DB15 VGA 1 x DisplayPort (1.2)  (Note : 1 x TPM2.0 internal (optional) only in SL-2105)			
	Expansion	1 x Mini PCIe, 1 x PCIe x 4 (Default); 1 x PCI (in the accessory box) Optional: 1 x Cfast, 1 x CF card, 1 x internal USB dongle, 2 x RS-232 or 1 x RS-232 + 1 x GPIO			
	Watchdog Timer	255 timer levels, Setup via Software			
Speaker	2 x 1W				
OS Support	OS	IMG Win10 ENTLSB			
LCD Panel	Display Type	15" TFT LED panel			21.5" TFT LCD (LED backlight)
	Max. Resolution	1024 x 768			1920 x 1080
	Viewing Angle	80° (left), 80° (right), 70° (up), 70° (down)			89 (left), 89 (right), 89 (up), 89 (down)
	Luminance (cd/m <sup>2</sup> )	400			300
	Contrast Ratio	700			5000
	Backlight Lifetime	50,000 hr			
Touchscreen	Touch Type	Projected capacitive 5-point multi-touch			Projected capacitive 10-point multi-touch
	Light Transmission	88% ± 5%			88 % ± 2 %
	Controller	USB interface			
Power Consumption	Input Voltage	9 ~ 32 VDC			
	Power Consumption	60W			75W
Physical Characteristics	Dimensions	391.4 x 312.5 x 55.35 mm (15.41 x 12.3 x 2.18 in)			558.4 x 349.8 x 63.8 mm (22.0 x 13.7 x 2.5 in)
	Weight	5.4 kg (11.90 lb)			7.7 kg (17.1 lb)
Environment	Operating Temperature	0 ~ 50°C (32 ~ 122°F) for SSD, 0 ~ 45°C (32 ~ 113°F) for HDD			
	Storage Temperature	-40 ~ 60°C (-40 ~ 140°F)			-20 ~ 60°C (-4 ~ 140°F)
	Relative Humidity	10 ~ 95% @ 40°C (non-condensing)			
	Shock	Operating 10 G peak acceleration (11 ms duration), IEC 60068-2-27 compliant			
	Vibration	Operating random vibration test 5 ~ 500Hz, 1 GRMS with HDD; 2 GRMS with SSD, IEC 60068-2-64 compliant			
	EMC	CE, FCC			
	Front Panel Protection	IP65 compliant			

# Dimensions



# I/O View



# Complete Visualisation Solutions with MC WORKS



#### Pune Head Office

ICC-Devi Gaurav Technology Park,  
unit no 402, 4th Floor, survey no 191-192(p),  
next to Indian Card Clothing company ltd.  
Opp, Vallabh Nagar, Pimpri,  
Pune – 411018, Maharashtra.  
Board Line No.: +91-20-4624 2100  
Fax No : +91-20-4624-2200

#### Gurugram Office

2<sup>nd</sup> Floor, Tower A & B,  
Cyber Greens, DLF Cyber City, DLF Phase -  
III, Gurugram - 122002, Haryana, India.  
Phone: +91-124-4630300  
Fax: +91-124-4630399

#### Bengaluru Office

Esquire Centre, No.-9,  
Ground Floor, B-Block,  
Trinity Circle, MG Road, Bangalore - 560001  
Phone: +91-80-4020-1600  
Fax: +91-80-4020-1699

#### Vadodara Office

A-1/2, 2<sup>nd</sup> Floor, Status Plaza,  
Opp Relish Resort, Akshar Square,  
O.P Road, Vadodara - 390020, Gujarat,  
India.  
Phone: +91-26-5231-4699  
Fax: +91-26-5233-3307

#### Mumbai Office

305-306, 3<sup>rd</sup> Floor, "Windfall",  
Sahar Plaza Complex, Andheri Kurla Road,  
J. B. Nagar, Andheri (E.),  
Mumbai - 400059, Maharashtra, India.  
Phone: +91-22-6611-6200  
Fax: +91 (22) 66116254

#### Hyderabad Office

5th floor, Imperial Towers, HNis.  
7-1-616, 615 and 617/a Ameerpet,  
Hyderabad 500016, Telangana.  
Board Line No.: +91 040 4343 8888

#### Chennai Office

Isana Katima, 3<sup>rd</sup> Floor,  
Door No.497 & 498, Poonamallee High  
Road,  
Arumbakkam, Chennai - 600106  
Phone: +91-44-4923-2222  
Fax: +91-44-4923-2249

#### Coimbatore Office

(BMH Srinivas) 2<sup>nd</sup> Floor,  
Door No. 1604 Trichy Road,  
Coimbatore - 641018  
Phone: +91-81-4385-606

#### Ahmedabad Office

2<sup>nd</sup> Floor, 31 Five, Opp. Paladium,  
Near Vodafone House,  
Corporate Road, Prahladnagar,  
Ahmedabad - 380015  
Phone: +91-79-6512-0063

#### Rudrapur Office

3 & 5, 1<sup>st</sup> Floor, Rudra Arcade,  
Haldwani Road,  
Dist.- Udham Singh Nagar - 263153,  
Uttarakhand, India.  
Phone: +91-5944-246899

#### Nagpur Office

Plot No.8, NIIT Layout, Ravindra Nagar,  
Ring Road, Nagpur, Maharashtra, India  
Phone: +91-712-2284020

#### Indore Office

110, 1<sup>st</sup> Floor, Shagun Commercial  
Complex,  
Plot No. 7/PU-4, Scheme No. 54, Vijay  
Nagar,  
Indore - 452010, Madhya Pradesh, India.  
Phone: +91-731-6050013

#### Chandigarh Office

S.C.O. - 376, Second Floor,  
Sector 32 D, Chandigarh - 160031  
Phone: +91-172-4601-645

#### Kolkata Office

1<sup>st</sup> Floor, Plot - A3,  
Infinity Think Tank, Tower - II, Block GP,  
Sector - V, Salt Lake, Kolkata - 700091  
Phone: +91-79-6512-0063