

Industrial Tower Lamps

Ø56mm; Bulb Type with Buzzer

TBK



SALIENT FEATURES

- ◆ Ø 56mm
- ◆ 5 Std. Lens Colors
- ◆ Replaceable Bulb Type
- ◆ Multiple Mounting Options
- ◆ One to Five Stack Light models
- ◆ Prizm-cut lenses for high brightness

Model Number Legend

TBK - □□ - □□□□□□ - □
 1 2 3 4 5 6 7 8 9

1. Series	4. 1 st Stack Lens Color	6. 3 rd Stack Lens Color	8. 5 th Stack Lens Color
TBK	R: Red	R: Red	R: Red
	Y: Yellow	Y: Yellow	Y: Yellow
	G: Green	G: Green	G: Green
	B: Blue	B: Blue	B: Blue
	C: Clear	C: Clear	C: Clear
		N: None	N: None
2. Type	5. 2 nd Stack Lens Color	7. 4 th Stack Lens Color	9. Power Supply
B: Direct Mount (no pole)	R: Red	R: Red	12AD: 12VAC/ DC
P: Direct Mount	Y: Yellow	Y: Yellow	24AD: 24VAC/ DC
S: Panel Mount	G: Green	G: Green	220AC: 220 VAC
	B: Blue	B: Blue	
	C: Clear	C: Clear	
	N: None	N: None	
3. Indication			
B: Buzzer			
F: Flicker Only			
S: Flicker + Buzzer			

Example:

TBK-BS-RYGNN-24AD

TBK Series - Direct Mounting Type without Pole, Flicker + Buzzer - 3 Stack with Red, Yellow, Green - 24VAC/ DC power supply

NOTE: Contact us for models not shown in catalogue.





◆ Superior Brightness!

All TBK series tower lamps have a double cut prism design that ensures a higher degree of transparency in comparison with other lights and reflectivity enabling a superior brightness level.

◆ Modular Construction

The TBK series tower lamps have a modular design, to change the bulb or lens color we just have to unscrew the top cover and the rest of the parts come off when it is lifted. Replace lens and rotate till the lens sits in the provided notch before re-screwing the top cover.

◆ Buzzer

TBK series tower lamps come fitted with a high volume buzzer with an output of 80dB at 1 meter.



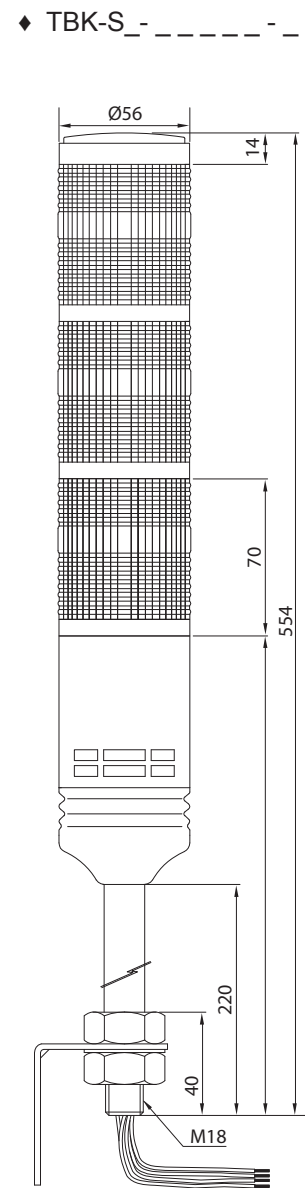
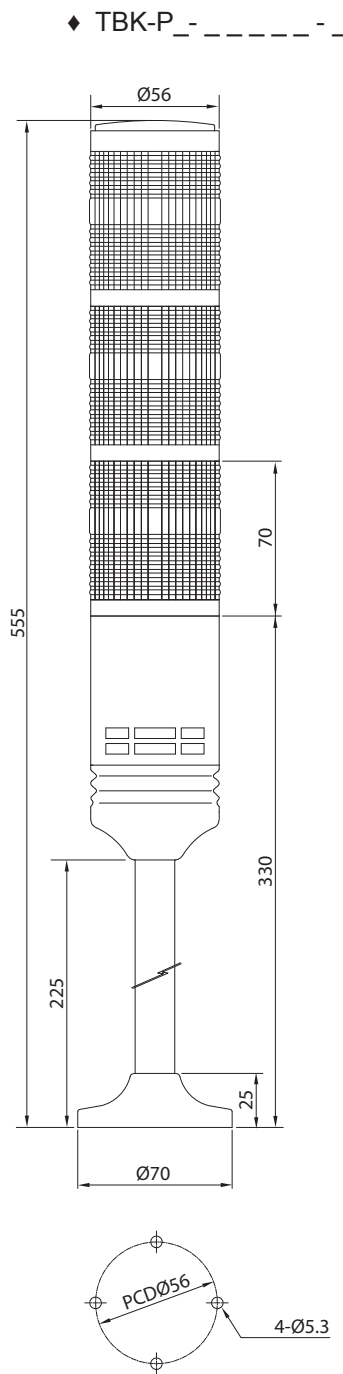
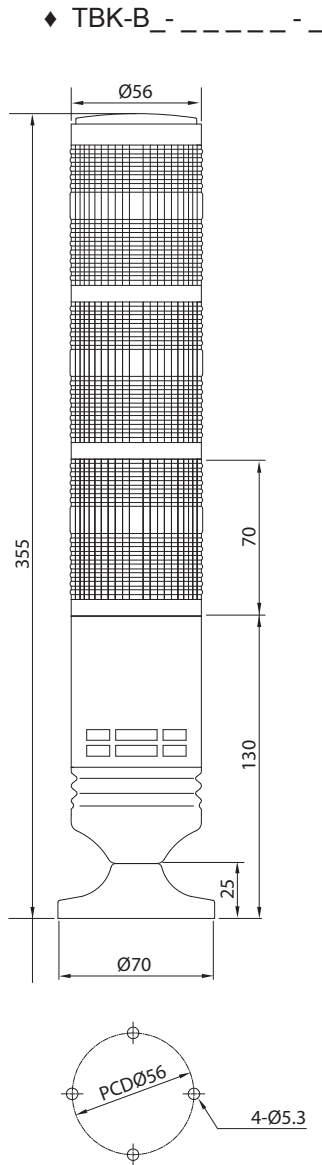
Ratings and Specifications

Models	Buzzer	TBK-BB-_____-__	TBK-PB-_____-__	TBK-SB-_____-__
	Flicker	TBK-BF-_____-__	TBK-PF-_____-__	TBK-SF-_____-__
	Flicker + Buzzer	TBK-BS-_____-__	TBK-PS-_____-__	TBK-SS-_____-__
Mounting	Direct Mounting		Panel Mounting	
Extension Pole	NA	Yes	Yes	
No. of Stacks	1 ~ 5 (depending on model)			
Lens Color	Red, Green, Yellow (Amber), Blue, Clear (Transparent)			
Bulb Type	Incandescent bulb with Single contact & Bayonet Base			
Bulb Ratings	TBK-_____- 12AD	12V8W		
	TBK-_____- 24AD	24V8W		
	TBK-_____- 220AC	220V8W		
Power Supply	TBK-_____- 12AD	12V AC/ DC ±10% ripple		
	TBK-_____- 24AD	24V AC/ DC ±10% ripple		
	TBK-_____- 220AC	200 ~ 240 VAC		
Current Consumption	1 Stack	12V AC/ DC: 0.8A; 24V AC/ DC: 0.4A; 220VAC: 0.04A		
	2 Stack	12V AC/ DC: 1.7A; 24V AC/ DC: 0.8A; 220VAC: 0.08A		
	3 Stack	12V AC/ DC: 2.5A; 24V AC/ DC: 1.2A; 220VAC: 0.12A		
	4 Stack	12V AC/ DC: 3.3A; 24V AC/ DC: 1.7A; 220VAC: 0.17A		
	5 Stack	12V AC/ DC: 4.2A; 24V AC/ DC: 2.1A; 220VAC: 0.2A		
Buzzer dB	Max. 80dB at 1 meter			
Shock Resistance	10 G- X,Y, Z three directions			
Ambient Temperature	Operation: -25° ~ 50°C; Storage: -30° ~ 60°C (non- freezing; non- condensing)			
Ambient Humidity	Operation: 35 ~ 85% RH; Storage: 35 ~ 90% RH (non- condensing)			
Protection Class	IP51			
Material	Housing: ABS, Lens: Acrylic or Eqv., Pole: Coated MS tube			

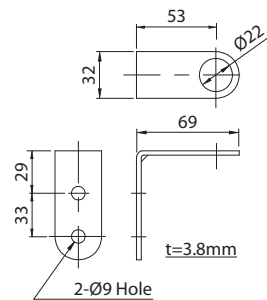
Dimension Drawing

TBK

Note: Three stack model is taken for reference in all diagrams, increase or decrease of each stack will lead to a corresponding increase/ decrease of 46mm in the overall product height. The Height of each lens segment is 70mm



◆ DS25 (Mounting Bracket for TLK-S- - - - -)



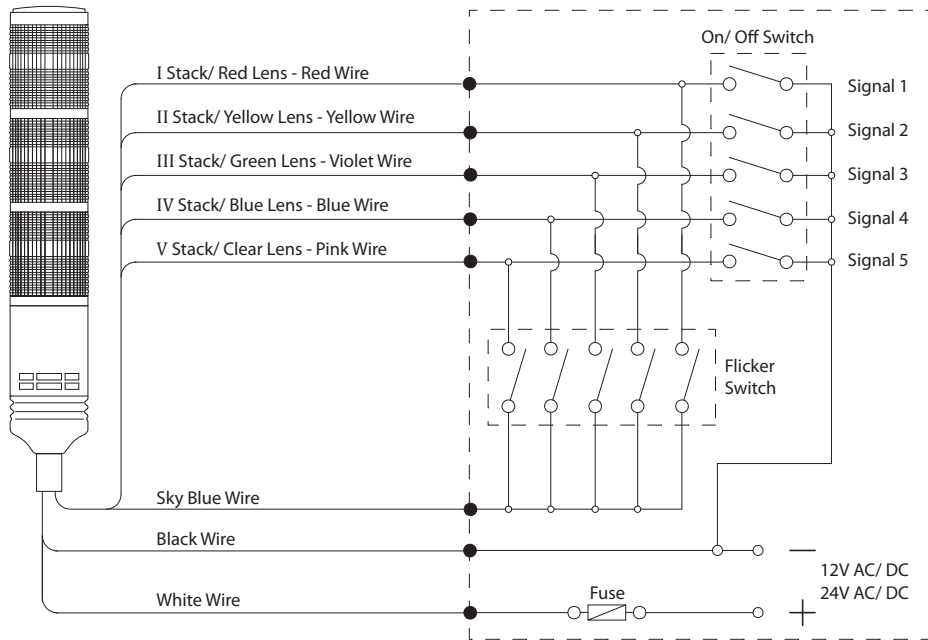
All dimensions are in mm

- Sensing
- Control
- Weighing
- Automation
- Power Supplies
- Switching
- Tower Lamps
- Cables & Electrodes
- Accessories

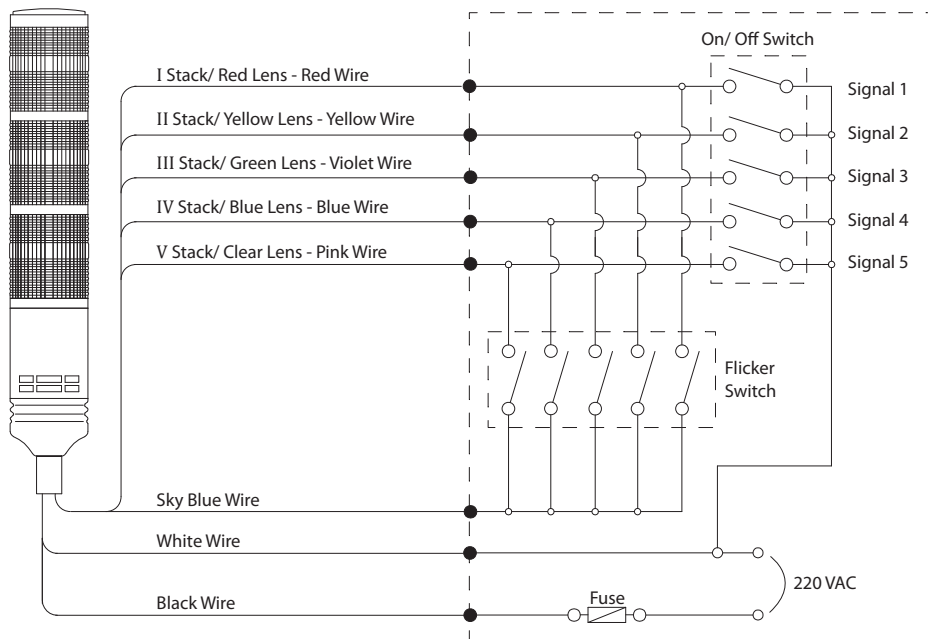
Connection

• Flicker Type

◆ DC Power Supply Models

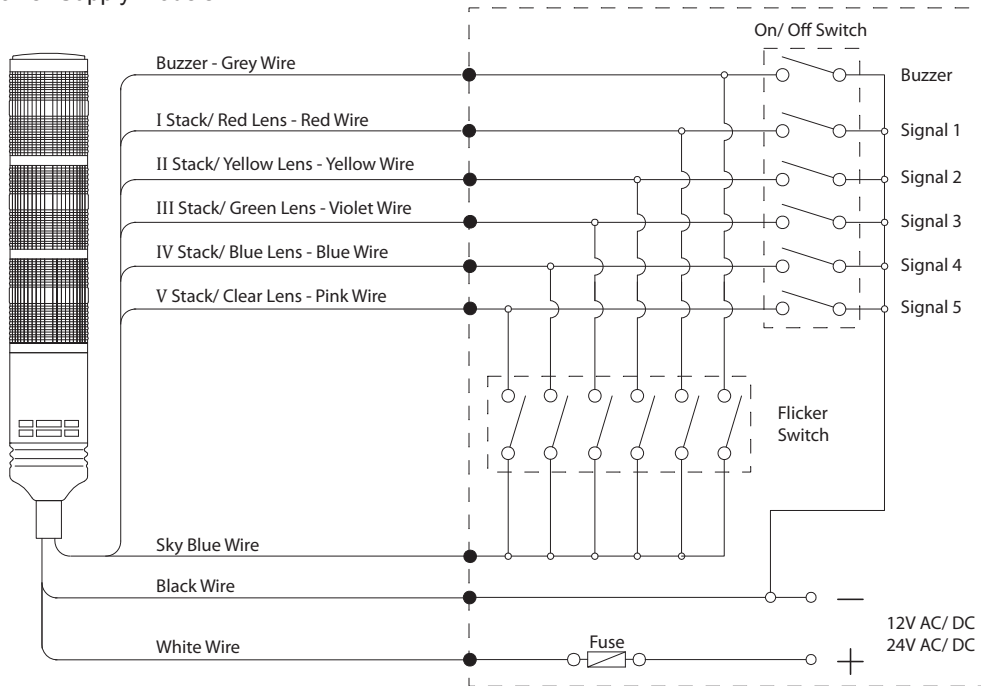


◆ AC Power Supply Models

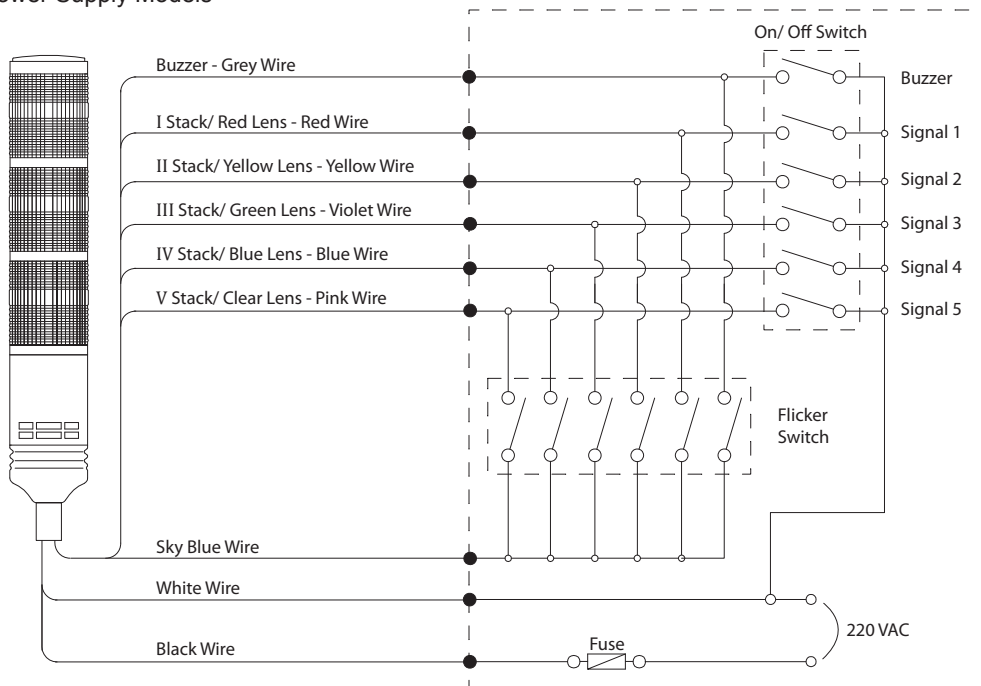


• Buzzer + Flicker Type

◆ DC Power Supply Models



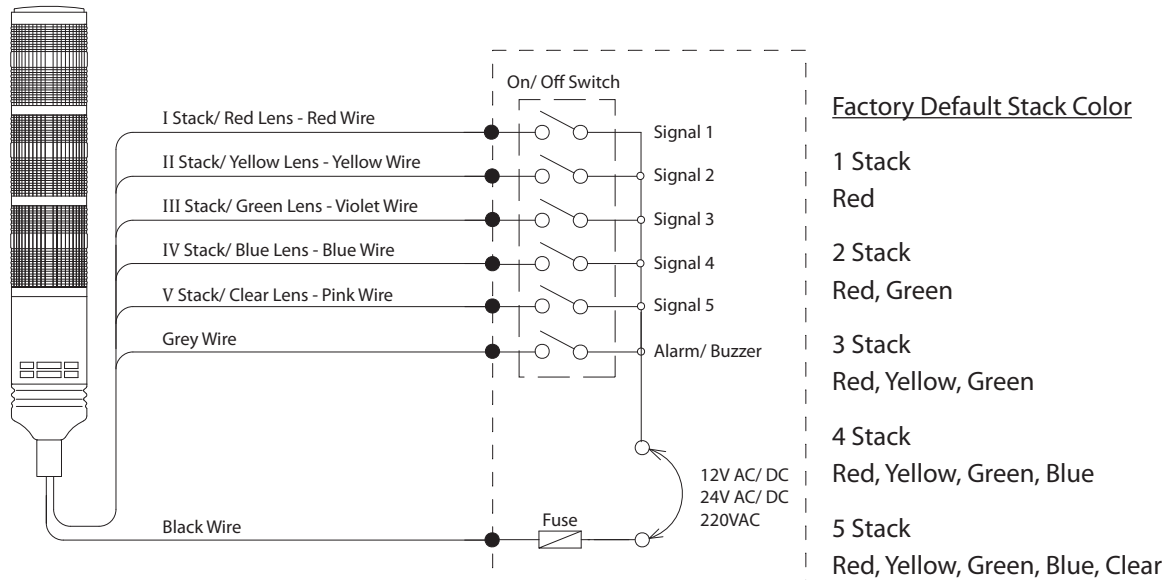
◆ AC Power Supply Models



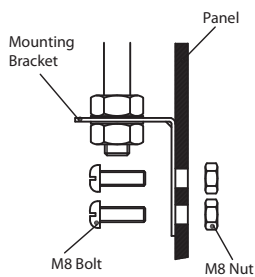
Connection

• Buzzer Type

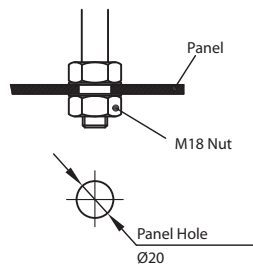
◆ DC & AC Power Supply Models



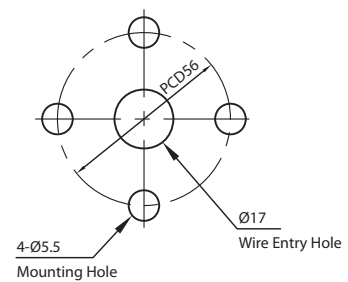
Mounting



Side Mounting & Installation for TBK-S



Top Mounting & Installation for TBK-S



Base Mounting Panel Cut-Out for TBK-B / P

Exclusively Represented by:

Intech Systems Chennai Pvt Ltd
 S-2, Guindy Industrial Estate
 Chennai - 600 032. Ph: 4353 8888
 Email: info@intechchennai.com

INNOTM
www.inno.sg

© INNO, Rights Reserved
 In the interest of continuous product improvement
 specifications are subject to change without notice

Cat. No. TBK-512