



Cat. No. TBK-512

# TBK

## BUZZER TOWER LAMP



## INSTRUCTION SHEET

Thank you for selecting INNO for your requirement.

This sheet describes the procedure and precautions required for installing and operating the product.

Kindly read this sheet before operating or installing the product. Store the sheet for future reference.

### CAUTION FOR SAFETY

- ⓘ Please keep this sheet for review before use of unit.
- ⓘ Please observe the following:

**⚠ WARNING**  
Serious injury may occur if instructions are not followed

**⚠ CAUTION**  
Product failure or injury can occur if instructions are not followed

### ⚠ WARNING

- This is not a safety product and is not to be used with machinery that requires use of safety product.
- Do not disassemble or modify this unit when connected to power. It may lead to electric shock/ fire.

Do not dismantle immediately after turn-off.  
BULB HOT SURFACE! Allow cooling time.



### ⚠ CAUTION

- This unit shall not be used outdoors.
- Do not use the unit in places where there is flammable gas.
- Do not use this unit beyond rated power.
- Do not use this unit in places where there is vibration or impact.
- Do not use water or oil based detergent for cleaning the unit.
- Do not use excessive force to tighten the unit and do not hammer the unit.
- Do not pull on the wire; use only crimp type terminal connectors.
- Check for proper wiring before turn-on. Miswiring will cause permanent damage to the product.
- Do not modify/ add any components from our specification.
- Please process it as industrial waste and dispose responsibly.

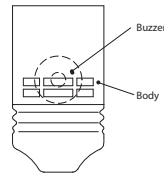
### SPECIFICATIONS

\*For details on Customized/ Special Models contact Seller

*Models	Buzzer	TBK-BB-_____	TBK-PB-_____	TBK-SB-_____
	Flicker	TBK-BF-_____	TBK-PF-_____	TBK-SF-_____
	Flicker + Buzzer	TBK-BS-_____	TBK-PS-_____	TBK-SS-_____
Mounting	Direct Mounting		Panel Mounting	
Extension Pole	NA	Yes	Yes	
No. of Stacks	1 ~ 5 (depending on model)			
Lens Color	Red, Green, Yellow (Amber), Blue, Clear (Transparent)			
Bulb Type	Incandescent bulb with Single contact & Bayonet Base			
Bulb Ratings	TBK-_____ - 12AD	12V8W		
	TBK-_____ - 24AD	24V8W		
	TBK-_____ - 220AC	220V8W		
Power Supply	TBK-_____ - 12AD	12V AC/ DC ±10% ripple		
	TBK-_____ - 24AD	24V AC/ DC ±10% ripple		
	TBK-_____ - 220AC	200 ~ 240 VAC		
Current Consumption	1 Stack	12V AC/ DC: 0.8A; 24V AC/ DC: 0.4A; 220VAC: 0.04A		
	2 Stack	12V AC/ DC: 1.7A; 24V AC/ DC: 0.8A; 220VAC: 0.08A		
	3 Stack	12V AC/ DC: 2.5A; 24V AC/ DC: 1.2A; 220VAC: 0.12A		
	4 Stack	12V AC/ DC: 3.3A; 24V AC/ DC: 1.7A; 220VAC: 0.17A		
	5 Stack	12V AC/ DC: 4.2A; 24V AC/ DC: 2.1A; 220VAC: 0.2A		
Buzzer dB	Max. 80dB/ m			
Shock Resistance	10 G- X,Y, Z three directions			
Ambient Temperature	Operation: -25° ~ 50°C; Storage: -30° ~ 60°C (non- freezing; non- condensing)			
Ambient Humidity	Operation: 35 ~ 85% RH; Storage: 35 ~ 90% RH (non- condensing)			
Protection Class	IP51			
Material	Housing: ABS, Lens: Acrylic or Eqv., Pole: Coated MS tube			

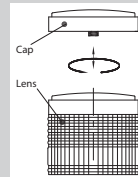
### MOUNTING AND ADJUSTMENTS

#### • Buzzer Direction



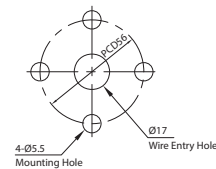
The buzzer is located on one side of the body as is indicated in the above diagram.  
The sound level changes as per the direction of mounting. Standard installation procedure calls for the product installation with the buzzer side facing the rear.

#### Changing Lens/ Bulb

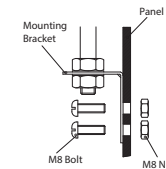


Make sure power is turned off while changing the lens. Loosen the cap screw, then pull the lens off. Put in the new bulb, then reinstall the head cover.

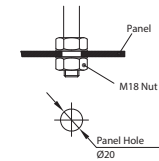
#### • Base Mounting Panel Cut-Out for: TBK-B/ P-\_\_\_\_\_



#### • Side Mounting & Installation for: TBK-S-\_\_\_\_\_



#### • Top Mounting & Installation for: TBK-S-\_\_\_\_\_



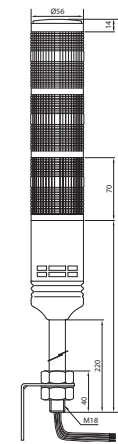
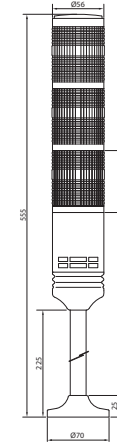
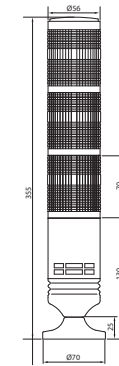
### DIMENSIONS

**Note:**  
3 Stack configuration is shown in the drawing for ease of understanding. Stack addition or removal will result in corresponding increase or decrease of 46mm in the lamp's overall dimension.

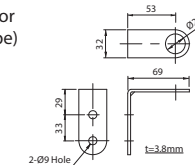
• Direct Mounting Type

• Panel Mounting Type

• Direct Mounting Type (No Pole)



• DS25 (Mounting bracket for Panel Mounting Type)



Represented by:

Intech Systems Chennai Pvt. Ltd.  
S-2, Guindy Industrial Estate  
Chennai - 32. Ph: 044 4353 8888  
Email: info@intechchennai.com

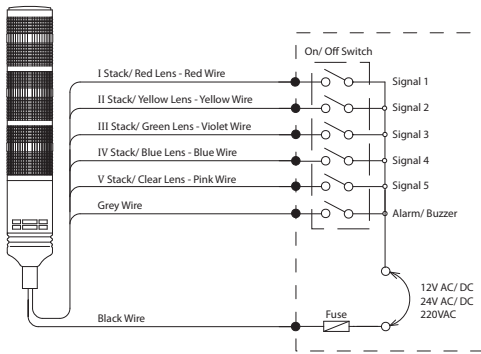
**inno**  
www.inno.sg

© Rights Reserved

## CONNECTION DIAGRAM

### Buzzer Type

#### DC & AC Power Supply Models



#### Factory Default Stack Color List

1<sup>st</sup> Stack : Red

2<sup>nd</sup> Stack : Red, Green

4<sup>th</sup> Stack : Red, Yellow, Green, Blue

3<sup>rd</sup> Stack : Red, Yellow, Green

5<sup>th</sup> Stack : Red, Yellow, Green, Blue, Clear

#### Represented by:

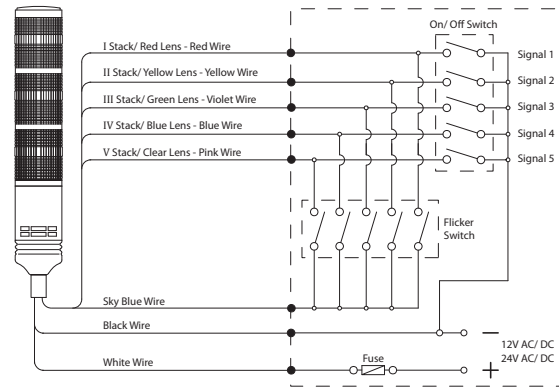
Intech Systems Chennai Pvt. Ltd.  
S-2, Guindy Industrial Estate  
Chennai - 32. Ph: 044 4353 8888  
Email: [info@intechchennai.com](mailto:info@intechchennai.com)

**inno**  
www.inno.sg

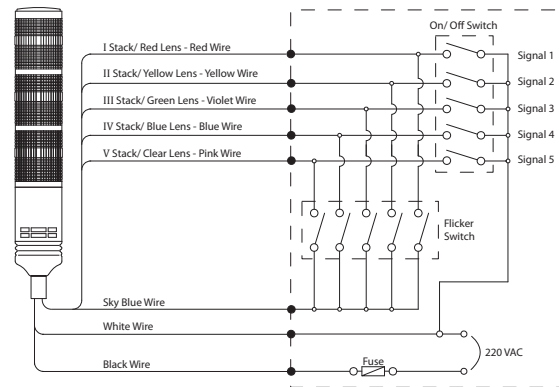
© Rights Reserved

### FlickerType

#### DC Power Supply Models

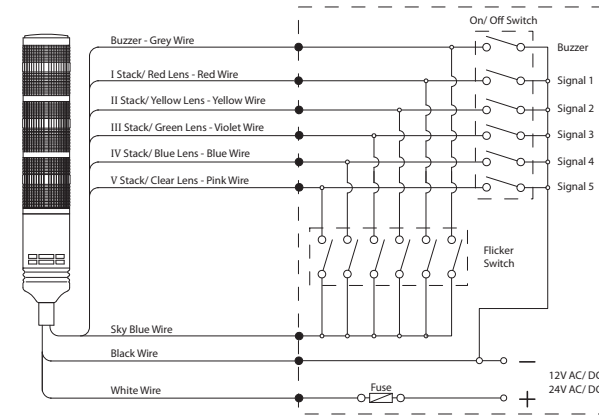


#### AC Power Supply Models

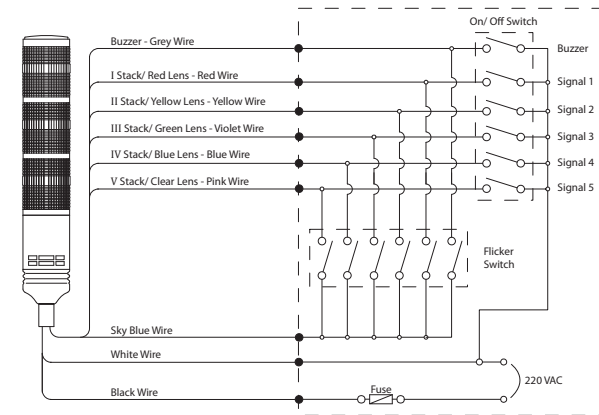


### Buzzer + FlickerType

#### DC Power Supply Models



#### AC Power Supply Models



INTENTIONALLY LEFT EMPTY