



Cat. No. TLK-512

TLK TOWER LAMP



INSTRUCTION SHEET

Thank you for selecting INNO for your requirement.

This sheet describes the procedure and precautions required for installing and operating the product.

Kindly read this sheet before operating or installing the product. Store the sheet for future reference.

CAUTION FOR SAFETY

- ⓘ Please keep this sheet for review before use of unit.
- ⓘ Please observe the following:

⚠ WARNING
Serious injury may occur if instructions are not followed

⚠ CAUTION
Product failure or injury can occur if instructions are not followed

⚠ WARNING

- This is not a safety product and is not to be used with machinery that requires use of safety product.
- Do not disassemble or modify this unit when connected to power. It may lead to electric shock/ fire.

Do not dismantle immediately after turn-off.
BULB HOT SURFACE! Allow cooling time.



⚠ CAUTION

- This unit shall not be used outdoors.
- Do not use the unit in places where there is flammable gas.
- Do not use this unit beyond rated power.
- Do not use this unit in places where there is vibration or impact.
- Do not use water or oil based detergent for cleaning the unit.
- Do not use excessive force to tighten the unit and do not hammer the unit.
- Do not pull on the wire; use only crimp type terminal connectors.
- Check for proper wiring before turn-on. Miswiring will cause permanent damage to the product.
- Do not modify/ add any components from our specification.
- Please process it as industrial waste and dispose responsibly.

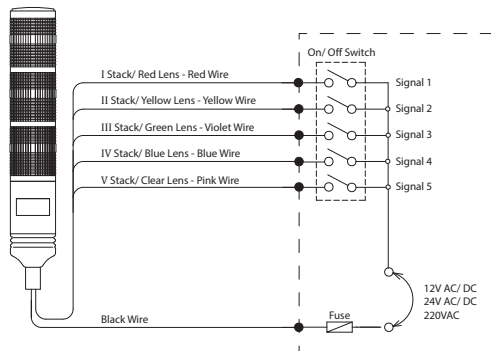
SPECIFICATIONS

*For details on Customized/ Special Models contact Seller

*Models	TLK_-B-_-_-_-_-	TLK_-P-_-_-_-_-	TLK_-S-_-_-_-_-
Mounting	Direct Mounting		Panel Mounting
Extension Pole	NA	Yes	Yes
No. of Stacks	1 ~ 5 (depending on model)		
Lens Color	Red, Green, Yellow (Amber), Blue, Clear (Transparent)		
Bulb Type	Incandescent bulb with Single contact & Bayonet Base		
Bulb Ratings	TLK_-_-_-_-_- 12AD	12V5W	
	TLK_-_-_-_-_- *	*24V AC/DC : 5W; *24V DC : 2W	
	TLK_-_-_-_-_- 220AC	220V5W	
Power Supply	TLK_-_-_-_-_- 12AD	12V AC/ DC ±10% ripple	
	TLK_-_-_-_-_- *	*24V AC/ DC ±10% ripple; *24VDC	
	TLK_-_-_-_-_- 220AC	200 ~ 240 VAC	
Current Consumption	1 Stack	12V AC/ DC: 0.8A; 24V AC/ DC: 0.4A; 220VAC: 0.04A; 24VDC: 80mA	
	2 Stack	12V AC/ DC: 1.7A; 24V AC/ DC: 0.8A; 220VAC: 0.08A; 24VDC: 80mA	
	3 Stack	12V AC/ DC: 2.5A; 24V AC/ DC: 1.2A; 220VAC: 0.12A; 24VDC: 80mA	
	4 Stack	12V AC/ DC: 3.3A; 24V AC/ DC: 1.7A; 220VAC: 0.17A; 24VDC: 80mA	
	5 Stack	12V AC/ DC: 4.2A; 24V AC/ DC: 2.1A; 220VAC: 0.2A; 24VDC: 80mA	
Shock Resistance	10 G - X,Y, Z three directions		
Ambient Temperature	Operation: -25° ~ 50°C; Storage: -30° ~ 60°C (non- freezing; non- condensing)		
Ambient Humidity	Operation: 35 ~ 85% RH; Storage: 35 ~ 90% RH (non- condensing)		
Protection Class	IP51		
Material	Housing: ABS, Lens: Acrylic or Eqv., Pole: Coated MS tube		

TLKL* Series is available for 24VDC only.

CONNECTION DIAGRAM

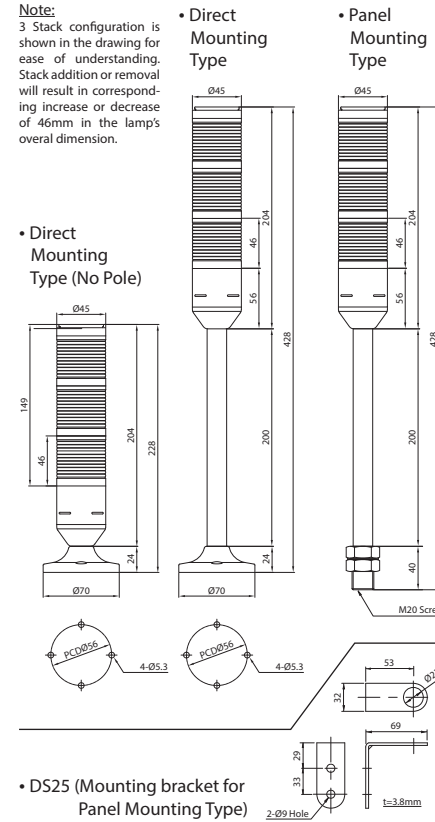


Factory Default Stack Color List

- 1st Stack : Red
- 2nd Stack : Red, Green 4th Stack : Red, Yellow, Green, Blue
- 3rd Stack : Red, Yellow, Green 5th Stack : Red, Yellow, Green, Blue, Clear

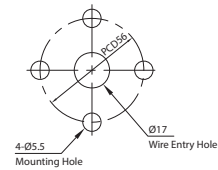
DIMENSIONS

Note:
3 Stack configuration is shown in the drawing for ease of understanding. Stack addition or removal will result in corresponding increase or decrease of 46mm in the lamp's overall dimension.

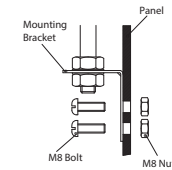


MOUNTING AND ADJUSTMENTS

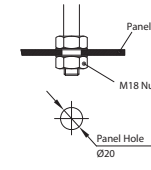
• Base Mounting Panel Cut-Out for: TLK-B/ P-_-_-_-_-



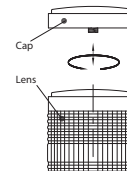
• Side Mounting & Installation for: TLK-S-_-_-_-_-



• Top Mounting & Installation for: TLK-S-_-_-_-_-



• Changing Lens/ Bulb



Make sure power is turned off while changing the lens. Loosen the cap screw, then pull the lens off. Put in the new bulb, then reinstall the head cover.

Represented by:

Intech Systems Chennai Pvt. Ltd.
S-2, Guindy Industrial Estate
Chennai - 32. Ph: 044 4353 8888
Email: info@intechchennai.com



© Rights Reserved