

Slim LED Tower Lamps

Ø25mm

TLS



SALIENT FEATURES

- ◆ Ø 25mm
- ◆ 5 Lens Colors
- ◆ Hi- Bright LEDs
- ◆ Prizm- cut lenses
- ◆ One to Five Stacks
- ◆ Steady, Flicker Type

Model Number Legend

TLS- - -

1 2 3 4 5 6 7 8

1. Series

TLS

2. Indication

N: Steady
F: Flicker

3. 1st Stack Lens Color

R: Red
G: Green
Y: Yellow
B: Blue
C: Clear

4. 2nd Stack Lens Color

R: Red
G: Green
Y: Yellow
B: Blue
C: Clear
N: None

5. 3rd Stack Lens Color

R: Red
G: Green
Y: Yellow
B: Blue
C: Clear
N: None

6. 4th Stack Lens Color

R: Red
G: Green
Y: Yellow
B: Blue
C: Clear
N: None

7. 5th Stack Lens Color

R: Red
G: Green
Y: Yellow
B: Blue
C: Clear
N: None

8. Power Supply

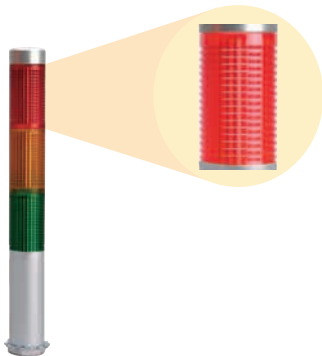
12AD: 12VAC/ DC
24AD: 24VAC/ DC

Example:

TLS-F-RYGNN-24AD

TLS Series - Flicker indication Type - 3 Stack with Red, Yellow, Green - 24VAC/ DC power supply

NOTE: Contact us for models not shown in catalogue.



◆ Slim & Sturdy

The TLS series one of the slimmest tower lamps in the market with a dia. of just 25mm. The light's body is made of aluminium making it light and at the same time sturdy.

◆ Uniform Illumination

The TLS series tower lamps have High Brightness LED; putting their brightness levels at par with larger dia. tower lamps. Despite this a uniform illumination at any viewing angle is maintained due to the use of dual-cut prizm lens. This spreads the intensity of the LED to give a uniform lighting effect.

◆ Flicker Type

The TLS series comes in steady glow and flashing pulse. Flashing type is generally used in places requiring more attention. Flashing or steady mode can be selected individually for each stack. Flashing mode is set at 80 flashes/ minute.

◆ More brightness, less energy, long life!

Save upto 80% power in comparison with regular bulb type tower lamps; that too with a increase in lux output by upto 40%. The LED modules have an mean half-life of 30,000hrs and a life span of more than 100,000 hours rendering bulb replacements unnecessary.

Ratings and Specifications

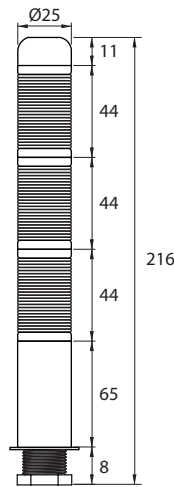
Models	TLK-N-_____ - _	TLK-F-_____ - _
Mounting	Direct Mounting	
No. of Stacks	1 ~ 5 (depending on model)	
Indication Type	Steady Glow	Flicker (80 times/ minute)
Lens Color	Red, Green, Yellow (Amber), Blue, Clear (Transparent)	
Bulb Type	SMD LED module	
Bulb Life	Aprox. 30,000 hrs till brightness is reduced to 50% of the initial value	
Power Supply	TLS-_____ - 12AD	24V AC/ DC ±10% ripple
	TLS-_____ - 24AD	24V AC/ DC ±10% ripple
Current Consumption	1 Watt/ stack	
Shock Resistance	10 G- X,Y, Z three directions	
Ambient Temperature	Operation: -25° ~ 50°C; Storage: -30° ~ 60°C (non- freezing; non- condensing)	
Ambient Humidity	Operation: 35 ~ 85% RH; Storage: 35 ~ 90% RH (non- condensing)	
Protection Class	IP56	
Material	Lens: Acrylic or Eqv., Pole: Aluminium tube	

Note: A locknut is provided for direct mounting on any surface; the thickness of the material is not to exceed 3mm

Dimension Drawing

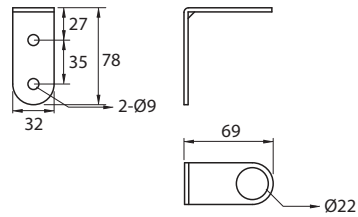
TLS

Note: Three stack model is taken for reference in all diagrams, increase or decrease of each stack will lead to a corresponding increase/ decrease of 46mm in the overall product height. The Height of each lens segment is 46mm



All dimensions are in mm

Optional Mounting Bracket
Ordering Code: TLS-MB

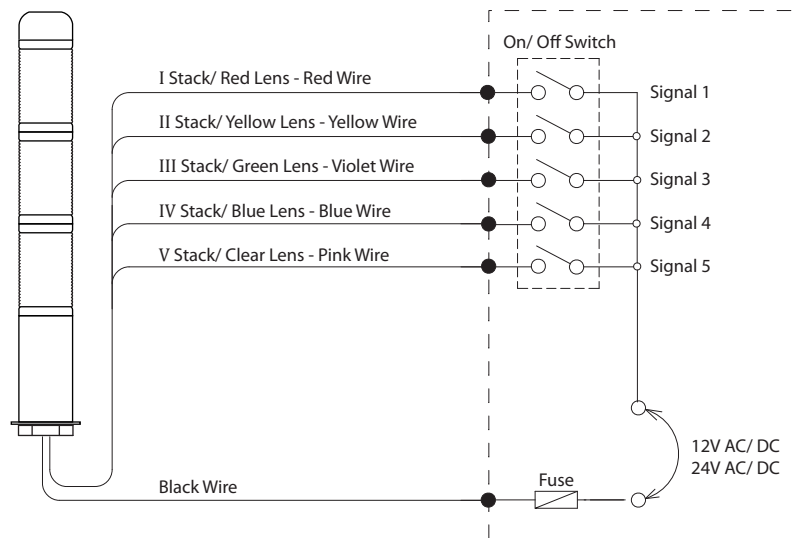


Factory Default Stack Color List

1 Stack	: Red	4 Stack	: Red, Yellow, Green, Blue
2 Stack	: Red, Green	5 Stack	: Red, Yellow, Green, Blue, Clear
3 Stack	: Red, Yellow, Green		

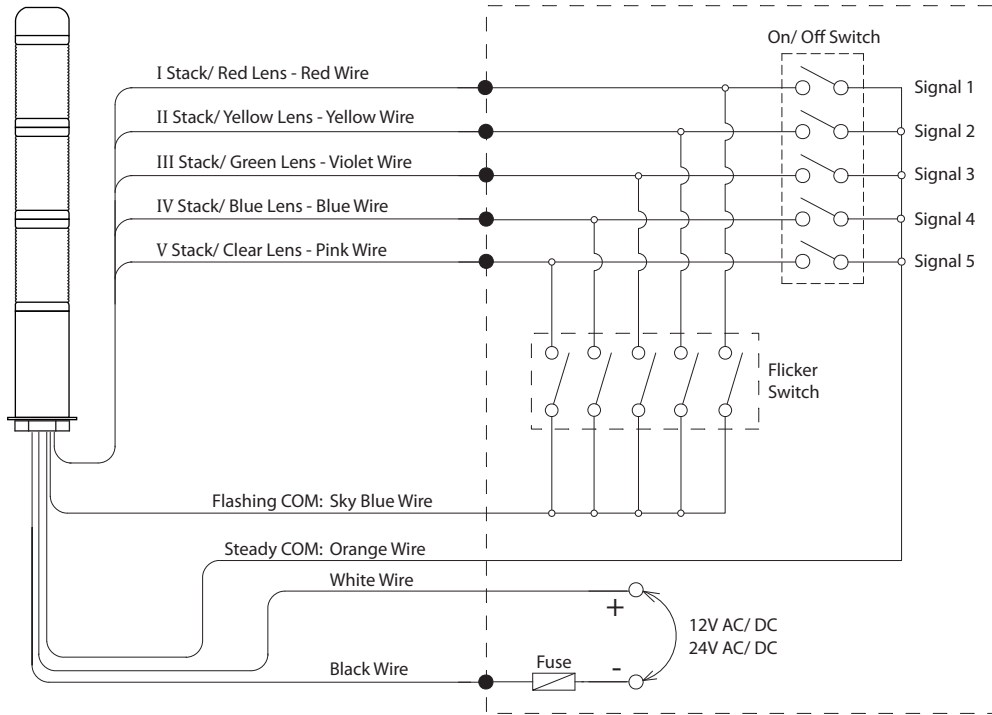
Connection

◆ TLS-N- _____ - 12AD/24AD



- Sensing
- Control
- Weighing
- Automation
- Power Supplies
- Switching
- Tower Lamps
- Cables & Electrodes
- Accessories

◆ TLS-F-_____ - 12AD/24AD



Exclusively Represented by:

Intech Systems Chennai Pvt Ltd
 S-2, Guindy Industrial Estate
 Chennai - 600 032. Ph: 4353 8888
 Email: info@intechchennai.com

innoTM
www.inno.sg

© INNO, Rights Reserved
 In the interest of continuous product improvement
 specifications are subject to change without notice

Cat. No. TLS-113

www.inno.sg/tls