

TLS

SLIM LED TOWER LAMP



INSTRUCTION SHEET

Thank you for selecting INNO for your requirement.

This sheet describes the procedure and precautions required for installing and operating the product.

Kindly read this sheet before operating or installing the product. Store the sheet for future reference.

CAUTION FOR SAFETY

- ⓘ Please keep this sheet for review before use of unit.
- ⓘ Please observe the following:

⚠ WARNING
Serious injury may occur if instructions are not followed

⚠ CAUTION
Product failure or injury can occur if instructions are not followed

⚠ WARNING

- This is not a safety product and is not to be used with machinery that requires use of a safety warning system.
- Do not open this unit when powered on. It may lead to shock/ fire.

Do not connect lamp to AC power supply.
RISK OF EXPLOSION!



Do not dismantle immediately after turn-off.
HOT SURFACE! Allow cooling time.



⚠ CAUTION

- This unit shall not be used outdoors.
- Do not use the unit in places where there is flammable gas.
- Do not use this unit in places where there is vibration or impact.
- Do not use water or oil based detergent for cleaning the unit.
- Do not use excessive force to tighten the unit and do not hammer the unit.
- Do not pull on the wire; use only crimp type terminal connectors.
- Check for proper wiring before turn-on. Miswiring will cause permanent damage to the product.
- Please process it as industrial waste and dispose responsibly.

SPECIFICATIONS

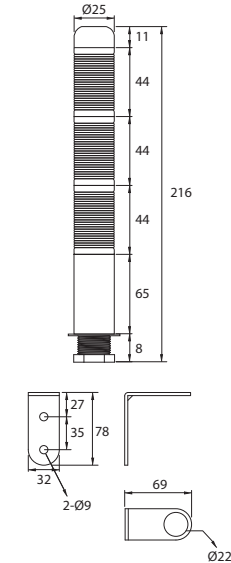
*For details on Customized/ Special Models contact Seller

*Models	TLS-N-_____	TLS-F-_____
Mounting	Direct Mounting	
No. of Stacks	1 ~ 5 (depending on model)	
Indication Type	Steady Glow	Flicker (80 times/ minute)
Lens Color	Red, Green, Yellow (Amber), Blue, Clear (Transparent)	
Bulb Type	SMD LED module	
Bulb Life	Aprox. 30,000 hrs till brightness is reduced to 50% of the initial value	
Power Supply	TLS-_____- 12AD	24V AC/ DC ±10% ripple
	TLS-_____- 24AD	24V AC/ DC ±10% ripple
Current Consumption	1 Watt/ stack	
Vibration Resistance	3mm at 10-55Hz for one hour in X, Y, Z three directions to destruction	
Shock Resistance	10 G- X,Y, Z three directions	
Ambient Temperature	Operation: -25° ~ 50°C; Storage: -30° ~ 60°C (non- freezing; non- condensing)	
Ambient Humidity	Operation: 35 ~ 85% RH; Storage: 35 ~ 90% RH (non- condensing)	
Protection Class	IP56	
Material	Lens: Acrylic or Eqv., Pole: Aluminium tube	
Wire	1007 UL / 22 AWG	

DIMENSIONS

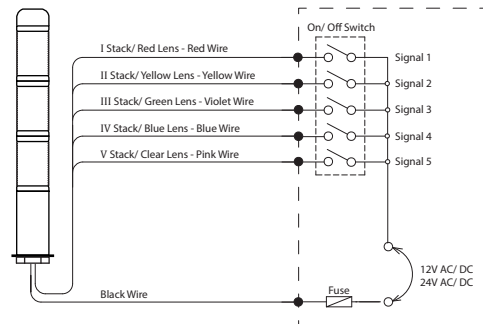
Note:

3 Stack configuration is shown in the drawing for ease of understanding. Stack addition or removal will result in corresponding increase or decrease of 46mm in the lamp's overall dimension.



CONNECTION DIAGRAM

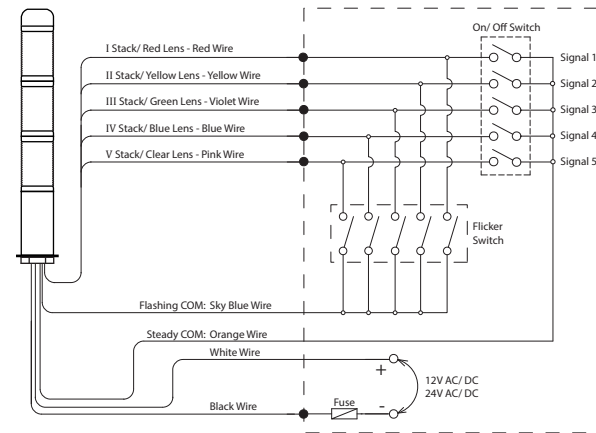
◆ TLS-N-_____ - 12AD/24AD



Factory Default Stack Color List

- 1st Stack : Red
 2nd Stack : Red, Green 4th Stack : Red, Yellow, Green, Blue
 3rd Stack : Red, Yellow, Green 5th Stack : Red, Yellow, Green, Blue, Clear

◆ TLS-F-_____ - 12AD/24AD



Represented by:

Intech Systems Chennai Pvt. Ltd.
 S-2, Guindy Industrial Estate
 Chennai - 32. Ph: 044 4353 8888
 Email: info@intechchennai.com

inno
 www.inno.sg

© Rights Reserved