

Industrial Piezo Buzzer

TPB



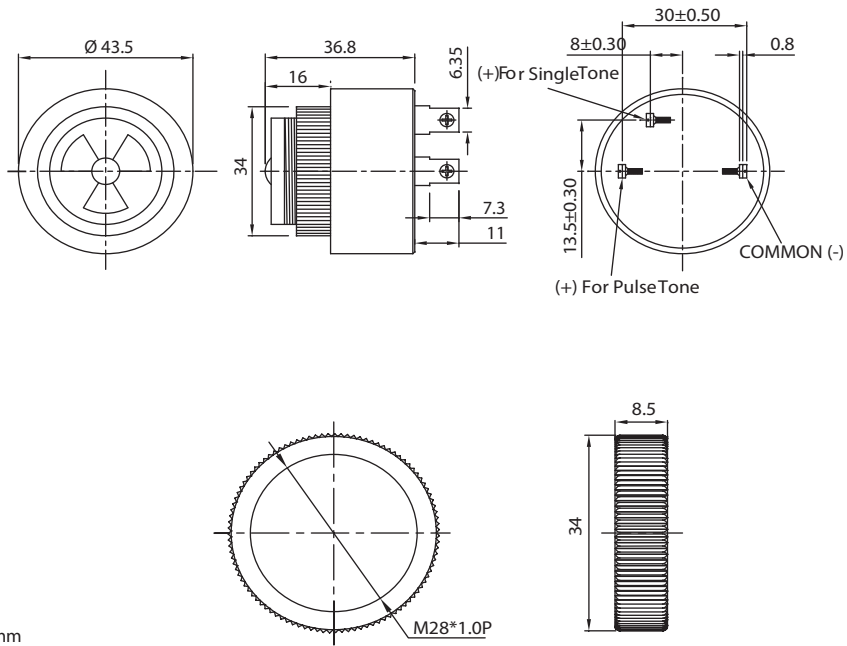
SALIENT FEATURES

- ◆ Panel Mount
- ◆ High Frequency
- ◆ Volume Adjustable
- ◆ Steady & Pulse Mode
- ◆ Ø28mm Panel Mountable
- ◆ Audible over long distances

Ratings and Specifications

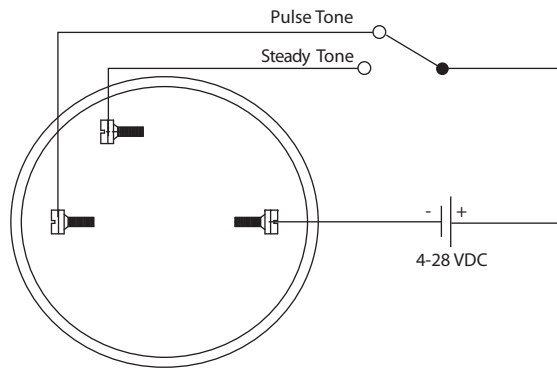
Model		TPB-24DC
Rated Voltage		24 VDC
Input Range		4 ~ 28 VDC
Rated Current	Steady	30mA @ rated voltage of 24VDC
	Pulse	25mA @ rated voltage of 24VDC
Current Rating		max. 200mA/ input
Frequency		2.9 ±0.5 kHz
Max. Sound Intensity	Steady	120 dBA/ 30cm
	Pulse	110 dBA/ 30cm
Pulse Rate		0.8/ second
Vibration Resistance		10 - 55Hz, 3mm for 2 hours in X, Y, Z directions (destruction)
Shock Resistance		100 G in X, Y, Z direction for 3 times (destruction)
Ambient Temperature		Operation: -25° ~ 70° C; Storage: -30° ~ 80° C (non-freezing; non-condensing)
Ambient Humidity		Operation: 40 ~ 85% RH; Storage: 35 ~ 95% RH (non- condensing)
Protection Class		- NA -
Weight		approx. 45g
Material		Case & Nut: ABS; Rear: sealed with polymeric Resin

Note: Outputs will not work if sensor is conneted to a different source



All dimensions are in mm

Connection



Exclusively Represented by:

Intech Systems Chennai Pvt Ltd
 S-2, Guindy Industrial Estate
 Chennai - 600 032. Ph: 4353 8888
 Email: info@intechchennai.com

innoTM
www.inno.sg

© INNO, Rights Reserved
 In the interest of continuous product improvement
 specifications are subject to change without notice

Cat. No. TPB-A21