

Revolving Signal Lamp

Ø86mm

TTB



SALIENT FEATURES

- ◆ Ø86mm
- ◆ Clear Lens
- ◆ 40dB Buzzer
- ◆ 4 - Lens Colors
- ◆ Replaceable Bulb
- ◆ Heavy Duty Belt Drive

Model Number Legend

TTB-□□-□-□
 1 2 3 4 5

1. Series

TTB

2. Type

D: Stud Mount

3. Indication

R: Revolving Reflector
 S: Revolving Reflector + Buzzer
 F: Flicker
 X: Xenon

4. Lens Color

R: Red
 Y: Yellow
 G: Green
 B: Blue

5. Power Supply

12DC: 12VDC
 24DC: 24VDC
 110A: 110VAC
 220A: 220VAC
 220AC: 110 ~ 220VAC

Example:

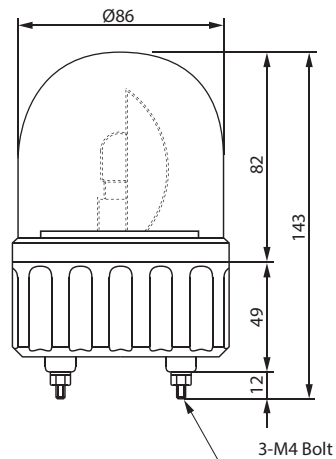
TTB-DS-R-24DC

TTB Series - Stud Mounting Type, Revolving Reflector + Buzzer - Clear Red Lens - 24VDC power supply

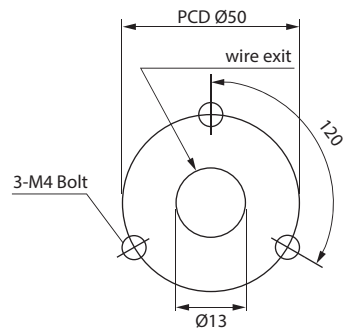
NOTE: Contact us for models not shown in catalogue.

| | | | | |
|---------------------|---|----------------------|---------------|------------------------------|
| Models | TTB-DR-_-12DC | TTB-DS-_-12DC | TTB-DF-_-12DC | - |
| | TTB-DR-_-24DC | TTB-DS-_-24DC | TTB-DF-_-24DC | - |
| | - | - | TTB-DF-_-110A | TTB-DX-_-110A |
| | - | - | TTB-DF-_-220A | TTB-DX-_-220A |
| | TTB-DR-_-220AC | TTB-DS-_-220AC | - | - |
| Mounting | Direct Stud Mounting | | | |
| Lens Color | Red, Green, Yellow (Amber), Blue | | | |
| Lens Type | Smooth | | Prism | |
| Bulb Type | Incandescent bulb with Single contact & Bayonet Base | | | Xenon bulb |
| Bulb Ratings | 12V8W | | | - |
| | 24V8W | | | - |
| | - | 110V8W | | 110V6W |
| | - | 220V8W | | 220V6W |
| | 12V5W | | | - |
| Power Supply | 12VDC ±10% ripple | | | |
| | 24VDC ±10% ripple | | | |
| | 110 VAC | | | |
| | 220 VAC | | | |
| | 100 ~ 240 VAC | | | |
| Current Consumption | 12VDC: 0.7A; 24VDC: 0.3A; 110VAC: 0.07A; 220VAC: 0.03A; 110/220VAC: 0.4A | | | 110VAC: 0.22A; 220VAC: 0.11A |
| Buzzer dB | - | Max. 40dB at 1 meter | - | - |
| Rotation Rate | 130/ min. | | 80/ min. | |
| Shock Resistance | 10 G- X,Y, Z three directions | | | |
| Ambient Temperature | Operation: -25° ~ 50°C; Storage: -30° ~ 60°C (non- freezing; non- condensing) | | | |
| Ambient Humidity | Operation: 35 ~ 85% RH; Storage: 35 ~ 90% RH (non- condensing) | | | |
| Protection Class | IP42 | | | |
| Material | Housing: ABS, Lens: Acrylic or Eqv., Pole: Coated MS tube | | | |

Dimension Drawing



Stud Mounting Arrangement

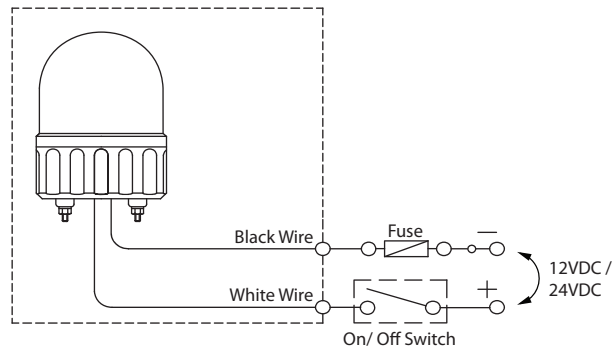


All dimensions are in mm

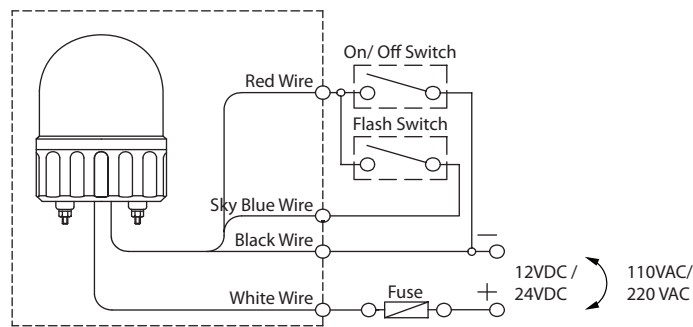
Connection

TTB

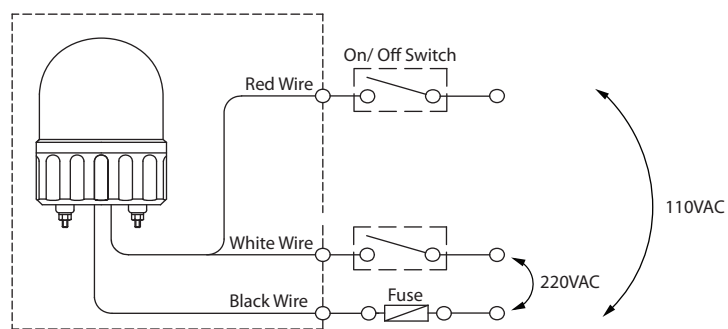
◆ TTB-DR-_-12DC / TTB-DR-_-24DC/ TTB-DS-_-12DC / TTB-DS-_-24DC



◆ TTB-DF-_-



◆ TTB-DX-_- / TTB-D-_-220AC / TTB-D-_-220AC



Exclusively Represented by:

Intech Systems Chennai Pvt Ltd
 S-2, Guindy Industrial Estate
 Chennai - 600 032. Ph: 4353 8888
 Email: info@intechchennai.com

www.inno.sg

© INNO, Rights Reserved
 In the interest of continuous product improvement
 specifications are subject to change without notice

Cat. No. TTB-415

www.inno.sg/ttb

- Sensing
- Control
- Weighing
- Automation
- Power Supplies
- Switching
- Tower Lamps
- Cables & Electrodes
- Accessories