

PROGRAMMABLE DISPLAY

WHS1 Series

User's Manual

Safety Precautions

Observe the following notices to ensure personal safety or to prevent accidents.
To ensure that you use this product correctly, read this User's Manual thoroughly before use.
Make sure that you fully understand the product and information on safety.
This manual uses two safety flags to indicate different levels of danger.

WARNING

If critical situations that could lead to user's death or serious injury is assumed by mishandling of the product:

- Always take precautions to ensure the overall safety of your system, so that the whole system remains safe in the event of failure of this product or other external factor.
- DO NOT USE THE PROGRAMMABLE DISPLAY TO CONTROL SAFETY FEATURES OR OTHER CRITICAL OPERATIONS OF EQUIPMENT OR SYSTEMS. A COMMUNICATION ERROR (FOR ANY REASON) MIGHT PREVENT SUCH SAFETY FEATURES OR CRITICAL OPERATIONS FROM FUNCTIONING PROPERLY.
- Do not use this product in areas with inflammable gas. It could lead to an explosion.
- Exposing this product to excessive heat or open flames could cause damage to the electronic parts.

CAUTION

If critical situations that could lead to user's injury or only property damage is assumed by mishandling of the product.

- To prevent excessive exothermic heat or smoke generation, use this product at the values less than the maximum of the characteristics and performance that are assured in these specifications.
- Do not dismantle or remodel the product. It could cause excessive exothermic heat or smoke generation.
- Do not touch the terminal while turning on electricity. It could lead to an electric shock.
- Use the external devices to function the emergency stop and interlock circuit.
- Connect the wires or connectors securely.
- The loose connection could cause excessive exothermic heat or smoke generation.
- Do not allow foreign matters such as liquid, flammable materials, metals to go into the inside of the product. It could cause excessive exothermic heat or smoke generation.
- Do not undertake construction (such as connection and disconnection) while the power supply is on. It could lead to an electric shock.
- The control force of the touch switches should be less than the specification of the product.
- Failure to do so could lead to a damage to the product or a personal injury.
- These touch switches operate using analog resistance membrane. Do not press more than one point on the screen at a time. Doing so might operate a switch located in the middle of the points pressed if one exists, and could lead to a damage to the facility or an accident.
Only pinch in and pinch out is supported.
- The product is a programmable display unit designed to be connected to an industrial control device such as a PLC (Programmable Logic Controller).

Copyright / Trademarks

- This manual and its contents are copyrighted.
- You may not copy this manual in whole or part, without written consent of Panasonic Industrial Devices SUNX Co., Ltd.
- Windows is a registered trademark of Microsoft Corporation in the United States and other countries.
- Ethernet is a registered trademark of Fuji Xerox Co., Ltd. and Xerox Corp.
- All other company names and product names are trademarks or registered trademarks of their respective owners.

Information Security Precautions

When use this product you might receive damage as listed below.

- (1) Information leakage or outflow through this product
- (2) Fraudulent operation of this product by a malicious third party
- (3) Obstructing or stopping this product by a malicious third party

Sufficient measures, including the following measures, should be taken at your own risk to prevent such damages.

■ Data storage

- Do not storage of personal information on this product.

■ Password

- Please be sure to change the password since it is set to the default value at the time of purchase.
- Do not use the default password.
- Please be responsible for managing your password so that it is not known to any third party and do not forget it.
- If you forget your internal password, there is no way for you to reset it. You must return the product to us and we will return it to you in its factory condition.
- Please make sure that your password is at least 8 characters long and contains a combination of upper and lower case letters, numbers and symbols so that a third party cannot guess your password.
- Do not use the same password as your user name. Do not use the same password as the one you are using elsewhere.
- Please change your password on a regular basis.

■ Networks

- Use this product on a network where safety is secured by using a firewall.
- When using this product on a system where a PC is connected, make sure that checking and cleaning of infection by computer virus or malicious program is performed periodically.
- It has the ability to use unencrypted communications. (FTP, HTTP, SMTP, PLC communications, etc.).
- Please make sure that a third party cannot easily connect to the network used by this product.
- Use HTTPS when accessing this product through a web browser.
- Also, be sure to close all browsers after accessing it.
- Do disable the functions of the services you don't use. (SNMP, NTP, VNC, DHCP, Corvina Cloud, etc.)
- Be sure to log out when you have completed the necessary setup operations.
- Do not install this product or cables in a place where they can be easily destroyed or altered.
- SNMP is assumed to be used for testing purposes. It should be disabled during operation.
- Furthermore, it is recommended that the product be used in an environment that has VPN (Virtual Private Network) or leased line network.

■ Transfer/ Disposal/ Repair

- If the product is to be disposed of, transferred, repaired, or otherwise transferred to a third party, important information may also be recorded on the product and on the external recording media used. At customer's risk, please handle it with care, such as erasing it.

■ Installation

- On the back of the unit, there are interfaces that affect its operation, such as power supply, external storage media, and communication connectors. Please make sure to install the unit in a manner that does not allow unauthorized parties to touch it.

■ Exemption

The Company shall not be responsible for any information security problems or damages that may occur to you in the event that you fail to comply with the above precautions in using this product.

Safety Guide

The manual contains safety standards that must be respected for the personal safety and to avoid damage.

Indications of attention are divided into two levels of severity:

CAUTION: indicates a failure to observe safety rules and that deficiency may cause damage.



CAUTION

Note: indicates a failure to observe safety rules and that deficiency may cause defects to the equipment or inconsistencies.



Note

Introduction

Thank you for buying a Panasonic product. Before you use the product, please carefully read the installation instructions and the user's manual, and understand their contents in detail to use the product properly.

Types of Manual

- There are different types of user's manual for the WHS1 series, as listed below. Please refer to a relevant manual for the unit and purpose of your use.

The manuals can be downloaded on our download center:

https://industrial.panasonic.com/ac/e/dl_center/

Unit name or purpose of use	Manual name	Manual code
Programmable Display WHS1 series	WHS1 series User's Manual	WUME-WHS1-01
Tool Software xAscender Studio	xAscender Studio User's Manual (Basic)	WUME-XASCEN-BAS-01
	xAscender Studio User's Manual (Communication)	WUME-XASCEN-COM-01

(Note 1) The screen creation software: "Terminal GTWIN" and IP address Search Tool: "Configurator WD" are not supported.

Table of Contents

1 System Configuration	1
1.1 WHS1 Standard Model Main Unit	1
1.2 Screen Creating Tool	1
1.3 Remote monitoring Tool	1
2 Names and Functions of Parts	2
2.1 AWHS1R043, AWHS1R070, AWHS1R101	2
2.2 Wiring the Power Supply	2
2.3 Grounding	3
2.4 Serial Port	4
2.4.1 Wiring Example of Serial Port	4
2.5 Ethernet Port	5
3 Installation	6
3.1 Installation Environment	6
3.2 Installation Method	6
4 Specifications	7
4.1.1 General Specifications	7
4.1.2 Performance Specifications	8
4.1.3 Function Specifications	9
4.1.4 Interface	10
4.2 Dimensions	12
5 System Settings	13
Revision History	17

Before You Start

■ Usage conditions

- Ambient temperatures: 0 to +50 °C
- Ambient humidity should be 5 to 85% RH (at +25 °C and non-condensing.)
- Usable altitude: 2000 m above sea level or lower
- For use in pollution degree 2 environment
- Do not use it in the following environments.
 - Direct sunlight, wind and rain. (This product is not designed for outdoor use.)
 - Inflammable or corrosive gas.
 - Excessive airborne dust, metal particles or saline matter.
 - Benzine, paint thinner, alcohol or other organic solvents or strong alkaline solutions such as ammonia or caustic soda.
 - Direct vibration, shock or places always exposed to drop of water.
 - This unit is warranted by IP66, IP20 for panel mounting, however, this applies to initial values and evaluated by us.
 - Influence from power transmission lines, high voltage equipment, power cables, power equipment, radio transmitters, or any other equipment that would generate high switching surges. (100 mm or more)
- The vents in the panel casing must not be obstructed.

■ Static electricity

- Do not touch connector pins directly to prevent static electricity from causing damage.
- Always rid yourself of any static electricity before handling this product.
- If excessive static electricity is applied to the panel surface, the LCD panel may be damaged.

■ Power Supply

- Twist the wires of the power supply.
- The unit has sufficient noise immunity against the noise generated on the power line.
- However, it is recommended to take measures for reducing noise such as using an isolating transformer before supplying the power. And it is recommended to take measures such as installing a ferrite core.
- Allocate an independent wiring for each power supplying line, PLC etc. and operating device.
- If using a power supply without a protective circuit, power should be supplied through a protective element such as fuse. Directly applying an abnormal voltage to the unit may cause the damage to the internal circuit.
- Transient protection shall be provided that is set at a level not exceeding 140 % of the peak rated voltage value at the supply terminals to the equipment.
- DO NOT DISCONNECT WHILE CIRCUIT IS LIVE

■ Selection of wires

- Use a wire of which temperature rating is 105 °C or more.

■ Touch switches

- Always operate the touch switches with fingers. As the touch switches may be damaged due to the excessive load or shock (caused when being operated with any tools), the touch switches should be operated within the specified control force. Also, if the touch switches are pressed like kneading, the electrode may be worn out exceptionally, and cause the malfunction. Operate with a single touch of a switch.
- The touch position may shift due to aging variation. If the touch position has shifted, please adjust it.

■ LCD panel

- Do not drop or have a strong impact on the programmable display unit as glass is used for the LCD panel.
- The liquid in the LCD panel is a hazardous substance. If the LCD panel is broken, do not put the leaked crystalline liquid into your mouth. Should it get into your mouth, immediately gargle, and consult a doctor. If it adheres to your skin or clothes, wash it away with soap.
- On the LCD panel, bright spots (points always lit) or black spots (points always unlit) may appear, or the uneven brightness, flickers or crosstalk (appearance of unintended shades in the area no graphic or part is arranged) may occur depending on the operating conditions.
- Note that these phenomena are resulted from the basic characteristics of LCD panel not defects or failures of the product.
- The equipment must be cleaned only with a soft cloth. Do not use solvents.

■ Scratch protection sheet

- A sheet is affixed to the touch panel to protect it from scratches when shipping. Please remove it before using the HMI.

■ Cautions on handling a USB memory

- Do not remove the USB memory while the power is on.*
*Communication may be stopped. It is necessary to restart the power supply to recover.
- The data saved in the USB memory may be lost in the following cases. We assume no responsibility whatsoever for the lost of saved data.
 - (1) When a user or third party used the USB memory incorrectly.
 - (2) When the USB memory was affected by any static electricity or electrical noise.
 - (3) When the USB memory was removed or the power supply of the HMI unit was turned off while data was being read, written or deleted to/from the USB memory.
- It is recommended to save important data in another media for backup.

1 System Configuration

1.1 WHS1 Standard Model Main Unit

Model No.	Display	Touch switch	Front cover	Power Supply	communication		USB
					Ethernet	Serial	
AWHS1R043	4.3 inch wide TFT	Resistive film type	Black	24V DC	1ch	1ch	1ch Host Controller
AWHS1R070	7.0 inch wide TFT					RS-232C/RS-422/RS-485	
AWHS1R101	10.1 inch wide TFT					※software configurable	

1.2 Screen Creating Tool

This software is used for creating screens and making various settings.

Item name	Required OS	Hard disk capacity	Remarks
Tool Software xAscender Studio	Windows 10	1GB or more	It is installed at the same time you install xAscender Suite.

You can download from our website.

(<https://www3.panasonic.biz/ac/e/index.jsp>) (Member registration is necessary, free of charge.)

(Notes)



xAscender cannot start normally due to the computer management software used as a security measure. In that case, try starting xAscender with administrator privileges. In addition, exclude from the monitoring target by setting the whitelist etc. in the management software.

1.3 Remote monitoring Tool

This software is used for remote monitoring tool.

Item name	Required OS	Hard disk capacity	Remarks
Tool Software xAscender Client	Windows 10	—	It is installed at the same time you install xAscender Suite.

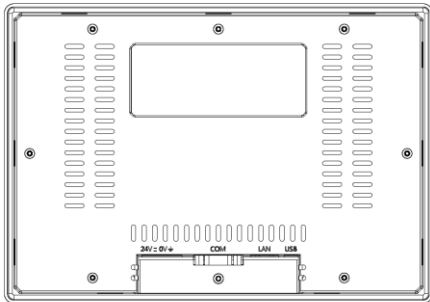
(Notes)



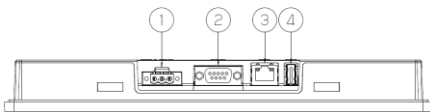
xAscender cannot start normally due to the computer management software used as a security measure. In that case, try starting xAscender with administrator privileges. In addition, exclude from the monitoring target by setting the whitelist etc. in the management software.

2 Names and Functions of Parts

2.1 AWHS1R043, AWHS1R070, AWHS1R101

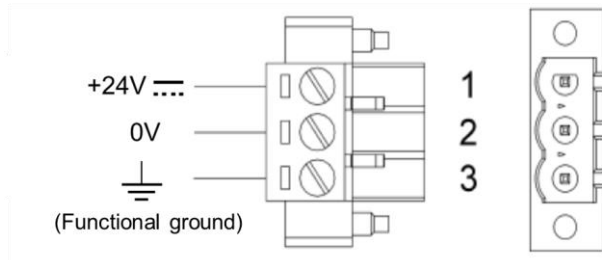


No.	Description
1	Power Supply
2	Serial Port (D-Sub 9 Pin)
3	Ethernet Port
4	USB Port



2.2 Wiring the Power Supply

The power supply terminal block is shown in the figure below.



■ Suitable wires

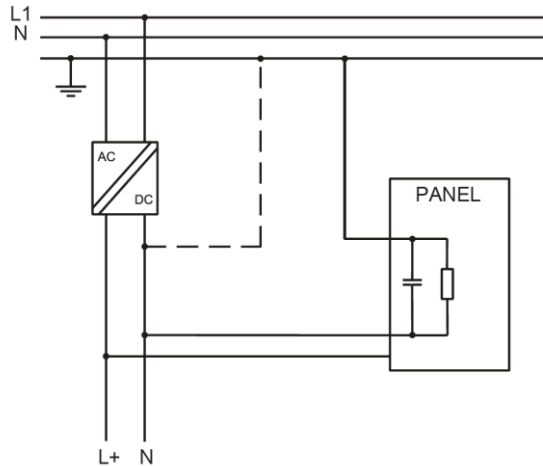
Size	Nominal cross sectional area	Rated temperature	Tightening torque
AWG 24 to 14	0.2 to 2mm ²	105°C or more	0.4 to 0.5 N·m



(Notes)

- If the power supply is incorrect, the internal electronic components may be damaged.
- Ensure that the power supply has enough power capacity for the operation of the equipment.
- Please use the SELV (Safety Extra-Low Voltage) and LIM (Limited Energy Circuit) power supply.
- When removing the wire's insulation, be careful not to scratch the core wire.
- Do not twist the wires to connect them.
- Do not solder the wires to connect them. The solder may break due to vibration.
- After wiring, make sure stress is not applied to the wire. In the terminal block socket construction, if the wire is fastened upon counter-clockwise rotation of the screw, the connection is faulty. Disconnect the wire, check the terminal hole, and then re-connect the wire.

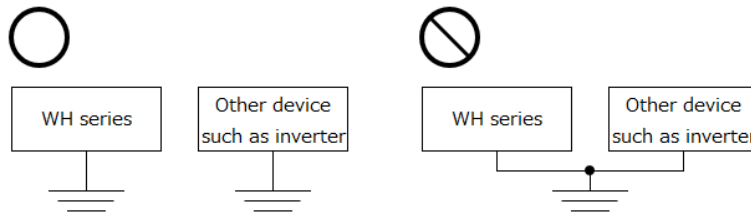
The unit must always be grounded to earth with 1.5mmsq wire size minimum.
 The power supply circuit may be floating or grounded. In the latter case, connect to ground the power source common as shown in figure (see below) with a dashed line.
 When using the floating power scheme, note that the HMI devices internally connects the power common to ground with a 1MΩ resistor in parallel with a 4,7nF capacitor.
 The power supply must have double or reinforced insulation.
 The suggested wiring for the power supply is shown in figure.
 All the electronic devices in the control system must be properly grounded.



2.3 Grounding

Use dedicated grounding:

- Make the grounding point as close as possible to the GT and keep the distance of the grounding wire short.
- Sharing the ground with another device may have an adverse effect. Therefore, be sure that grounding is dedicated.



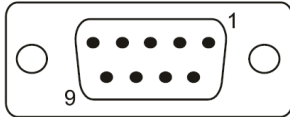
(Notes)



- Conversely, depending on your environment, grounding may cause a problem.
- Since the power line of the HMI unit is connected to a functional earth via electronic parts, the electronic parts may become damaged if there is an abnormal potential between the power line and the physical ground.

2.4 Serial Port

The serial port is used to communicate with the PLC or with another type of controller. Standards available for the signals in the PLC port connector are: RS-232, RS-422, and RS-485. The serial port is software programmable. Make sure you select the appropriate interface in the programming software. To operate in RS485 pins 3-4 and 7-8 must be connected externally.



Pin No.	Pin name	Serial		
		RS-232C	RS-422	RS-485
1	GND	SG	-	-
2	-	-	-	-
3	TX/TXD-	TxD	TXD-	TXD-
4	RX/RXD-	RxD	RXD-	RXD-
5	-	-	-	-
6	+5V output	-	-	-
7	CTS/RXD+	CTS	RXD+	RXD+
8	RTS/TXD+	RTS	TXD+	TXD+
9	-	-	-	-

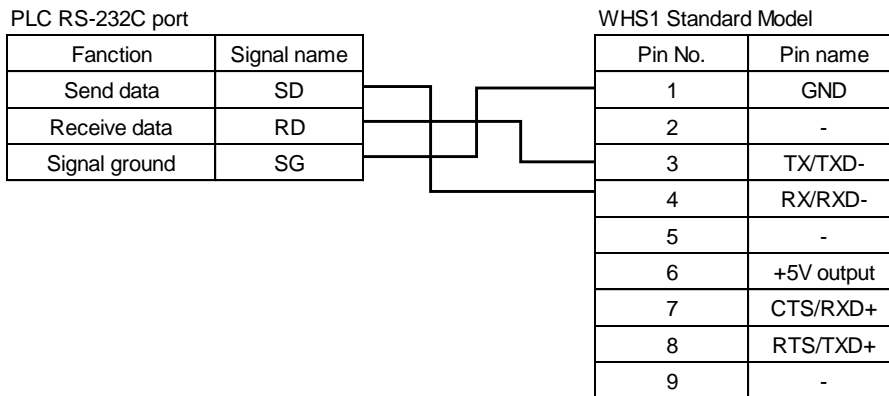
To connect to the serial port, use a commercially available D-Sub 9-pin male connector.

2.4.1 Wiring Example of Serial Port

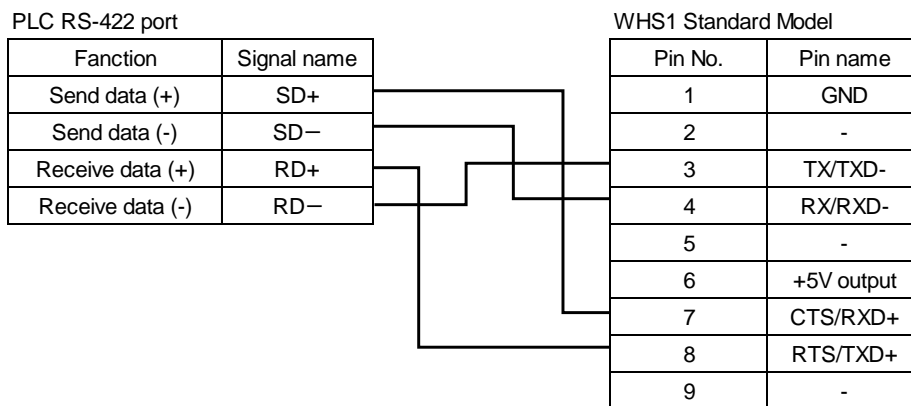
Use a loose wire for the connection on the PLC side. It can be used in combination with our PLC equipped with an adaptive interface.

Serial	Configuration	
RS-232C	1:1 communication	
RS-422/ RS-485	1:1 communication	
	1:n communication	

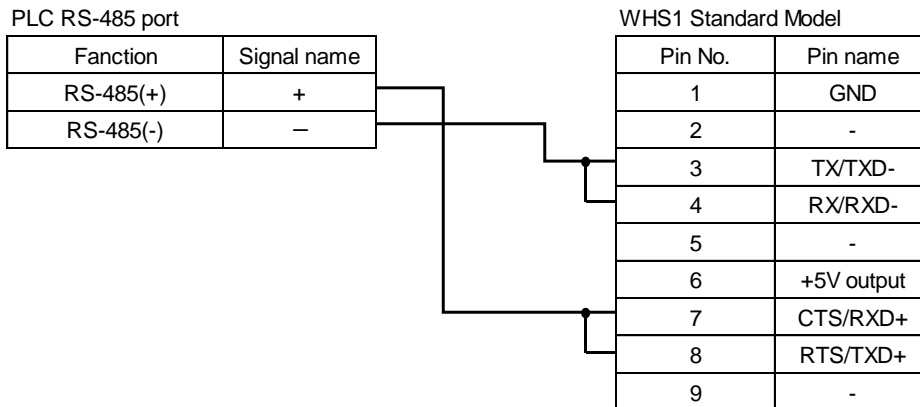
■ RS-232C Communication



■ RS-422 Communication

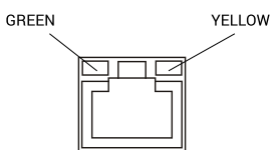


■ RS-485 Communication



2.5 Ethernet Port

The Ethernet port have two LED indicators for status. Please see description below.



Green	Yellow	Remarks
ON	OFF	No LAN cable connected
BLINK	ON	Link at 100 Mbit/s
BLINK	OFF	Link at 10 Mbit/s

3 Installation

3.1 Installation Environment

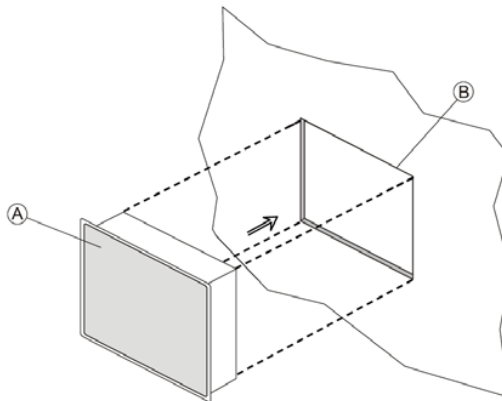
In order to meet the front panel protection classifications, proper installation procedure must be followed:

- the borders of the cutout must be flat
- screw up each fixing screw until the plastic bezel corner get in contact with the panel.
- the cutout for the panel must be of the dimensions indicated in this manual.

The IP66 is guaranteed only if:

- max deviation from the plane surface to the cut-out: $\leq 0.5 \text{ mm}$
- thickness of the case where is mounted the equipment: from 1.5 mm to 6 mm
- max surface roughness where the gasket is applied: $\leq 120 \text{ }\mu\text{m}$

A: WHS1 Standard Model
B: Installation cut-out



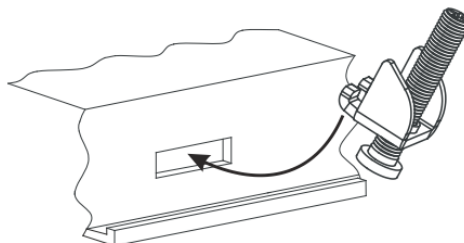
(Notes)

- The equipment is not intended for continuous exposure to direct sunlight.
- The equipment is not intended for installation in contact with corrosive chemical compounds.
- Do not use tools of any kind (screwdrivers, etc.) to operate the touch screen of the panel.
- The vents in the panel casing must not be obstructed.

3.2 Installation Method

Place the fixing brackets contained in the fixing kit.

Tightening torque: 0.75N·m or screw each fixing screw until the bezel corner gets in contact with the panel.



4 Specifications

4.1.1 General Specifications

Item	Specifications		
	AWHS1R043	AWHS1R070	AWHS1R101
Rated Voltage	24V DC		
Operating voltage range	10 to 32V DC		
Current rating (at 24VDC)	0.25A or less	0.3A or less	0.38A or less
Ambient temperature	0 to +50°C *In vertical installation conditions		
Ambient humidity	5 to 85% RH (at +25°C, non-condensing)		
Storage temperature	-20 to +70°C		
Storage humidity	5 to 85%RH (at +25°C, non-condensing)		
Vibration resistance	5 to 9 Hz, 3.5-mm single amplitude 9 to 150 Hz, Acceleration 9.8m/s ² (1 G)		
Shock resistance	±490m/s ² (50 G), 11ms 3 times in the X, Y, Z directions		
EU Directive applicable standard	EMC Directive: EN61000-6-2, EN61000-6-4, RoHS Directive: EN50581		
Protective construction (Note)	Front panel: IP66 (Initial value, evaluated by us) Rear: IP20		
Pollution degree environment	2		
Weight	Approx.0.4kg	Approx.0.6kg	Approx.1kg



(Note) Refer to the 3. Installation.

4.1.2 Performance Specifications

Item		Specifications		
		AWHS1R043	AWHS1R070	AWHS1R101
Display (Note 1)	Display Unit	TFT color LCD 4.3 inch wide	TFT color LCD 7.0 inch wide	TFT color LCD 10.1 inch wide
	Resolution	480X272, WQVGA	800X480, WVGA	1024X600,
	Colors	65,536 colors		
	Backlight	White LED		
	Backlight brightness	200cd/m ² (typ.)		
	Dimming	Yes Can be adjusted on the menu screen, xAscender Studio settings. (There are some minor variations in the backlight brightness.)		
	Backlight life time	20,000 hours or more (Note 2)		
Touch switch	Touch switch	Analog touch switch (resistive film type)		
	Touch switch operating	1.5 N or less		
	Life	1 million times or more (Note 3)		
Memory space	RAM	512MB		
	Memory	4GB		
	Project memory	240MB		
	User memory	512MB		
RTC/Backup	Accuracy RTC	±100ppm or less (at +25°C) (Note 4)		
	Function	Clock / Calendar		
	Period	48h with super capacitor backup (at +25°C) (Note 5)		
Other	Buzzer	Yes		



(Note 1) On the LCD panel, bright spots (points always lit) or black spots (points always unlit) may appear, or the uneven brightness, flickers or crosstalk (appearance of unintended shades in the area no graphic or part is arranged) may occur depending on the operating conditions. Note that these phenomena are resulted from the basic characteristics of LCD panel not defects or failures of the product.

(Note 2) Time of continuous operation until the brightness of the backlight reaches 50% of the rated value when the surrounding air temperature is +25°C

(Note 3) The touch position may shift due to aging variation. If the touch position has shifted greatly, please adjust it.

(Note 4) At +25°C: less than 260 seconds per month

(Note 5) Must be charged for 48 hours. When the battery is fully charged, it ensures a period of 48 hours of data backup.

4.1.3 Function Specifications

Item	Specifications
Displayable fonts	Fixed Font True Font Fonts installed in windows (Note 2)
Number of registerable screens (pages) (Note 1)	Max. 1000
Registerable screen number	Pages: 1000 Dialog: 50 Template: 50
Types of widget	Basic(text, numerics) Button Meter Switch Light Media Icon Custom etc.
Main functions	Trends Reports Alarms Scheduler Database Data Transfers Recipe Keypads Web Server etc. *Refer to xAscender Studio User's Manual (Basic).
Through function	Communication between our PLC and a computer is available by connecting the computer to the Ethernet port and the PLC to the COM port.



(Note 1) Maximum allowable number varies depending on registered contents.

(Note 2) A license (permission to use) is required to add the font.

4.1.4 Interface

■ Serial Port

Item		Specifications	
		RS-232C type	RS422 / RS485 type
Communication standard		Conforms to RS-232C (Non insulation type)	Conforms to RS-422 /RS-485 (Non insulation type)
Port number		1CH *software configurable	
Conditions for communication with external devices	Baud rate (bits/s)	1200/2400/4800/9600/ 19200/38400/57600/115200 (Note 1)	1200/2400/4800/9600/ 19200/38400/57600/115200 (Note 1)
	Data bits (bits)	7/8	7/8
	Parity	none/even/odd	none/even/odd
	Stop bit (bit)	1/2	1/2
Transmission distance (Total length)		Max. 15m (Baud rate: 19,200 bps)	Max. 500m (Baud rate: 115,2 kbps)
Terminal resistance value		—	No Termination (Note 2)
Protocol		Refer to xAscender Studio User's Manual (Communication).	
Connector		D-sub 9 Pin (Female)	



(Note 1) Depend on PLC.

Please check with the actual devices when some commercial devices with RS485 interface are connected. The number of connected devices, transmission distance, and transmission speed may be different according to using transmission line.

(Note 2) When connected to the termination, it is recommended that a 120Ω, 1/2W or better termination resistor be connected between the communication lines.

■ Ethernet Port

Item	Specifications
Port number	1CH
Interface	100BASE-TX / 10BASET
Baud rate (Note 1)	100Mbps / 10Mbps
Connector shape	RJ-45 (Note 2)
Cable total length	100m (500m when using a repeater) (Note 3)
Communication cable	UTP cable (Category 5)
Number of simultaneous connections	Max. 4
communication method	Full-duplex / Half-duplex
communication protocol	TCP/IP, UDP
DNS	Name server support
DHCP	Correspondence of automatic IP address acquisition
FTP server / client	Server function: Transfer file Client function: Transfer data and file
HTTP server / client	Server function: Customer web Client function: Web browser
SNTP	Correspondence of Time setting function
Protocol	Refer to xAscender Studio User's Manual (Communication).



(Note 1) Switching between different speeds is done automatically by auto negotiation function.

(Note 2) Be careful not to apply excessive static electricity to the metal parts of the connector.

(Note 3) The maximum length of the cable is 100m in accordance with the standards, but depending on the operating environment, a ferrite core may be installed to reduce noise. May be required. It is also recommended that the hub be installed near the control panel and that it be used at 10 meters or less.

■ USB Port

Item	Specifications
Port number	1CH
Communication standard	High-Speed USB 2.0 (Host Controller)
Connector shape	USB Type A
Transmission speed	480 Mbps (High Speed)
Maximum current	Max. 500mA



(Note 1) Take care of handling of the connector not to add an excessive static electricity on the metal part of the connector.

(Note 2) The format of the external memory should be in FAT32 or FAT.

The max number of files inside external memory depends on the type of formatting.

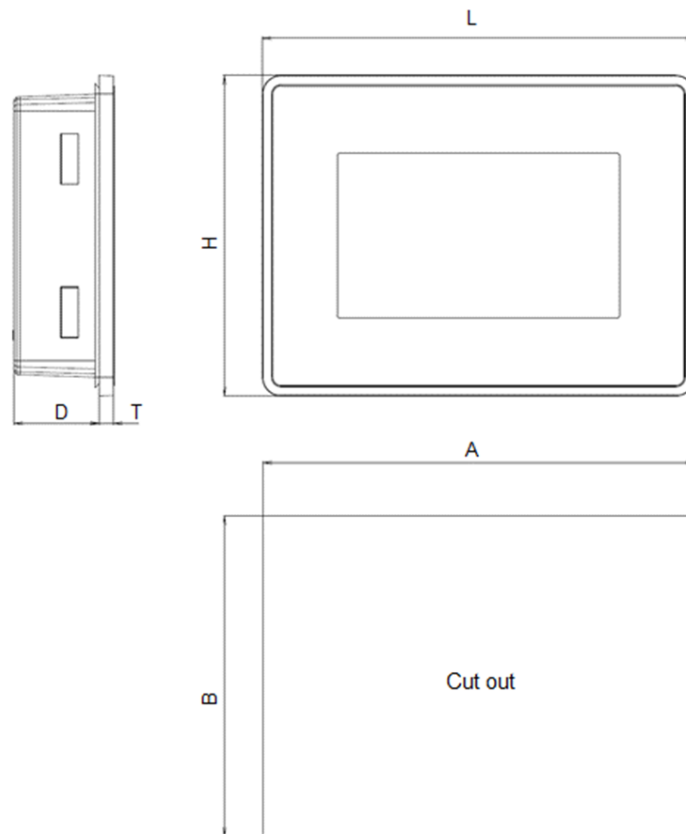
- FAT32 max 65535 files

- FAT max 512 files

(Note 3) Do not remove the USB memory while the power is on.*

*Communication may be stopped. It is necessary to restart the power supply to recover.

4.2 Dimensions



Model No.	A	B
AWHS1R043	136mm/05.35"	96mm/03.78"
AWHS1R070	176mm/06.90"	136mm/05.35"
AWHS1R101	271mm/10.66"	186mm/07.32"

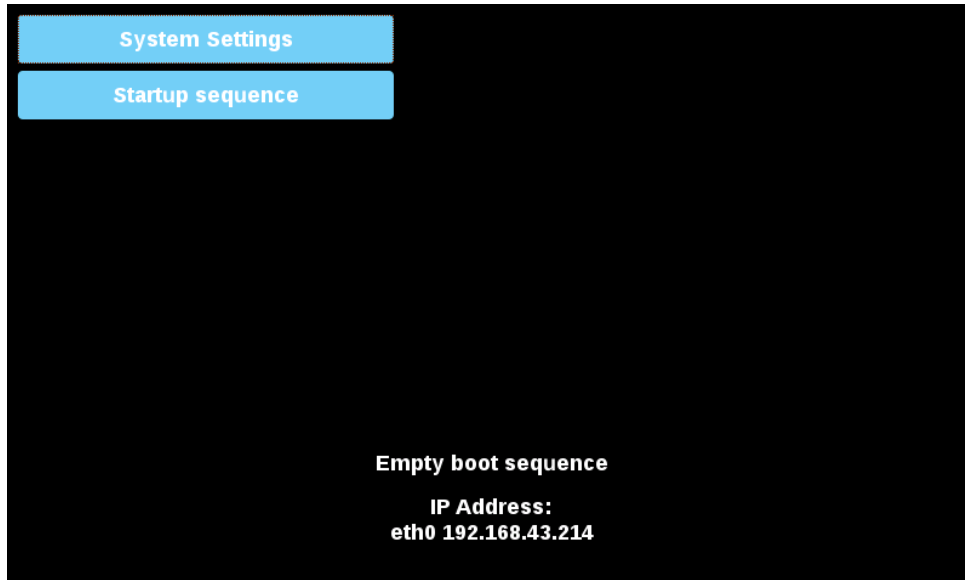
Model No.	L	H	D	T
AWHS1R043	147mm/05.78"	107mm/04.21"	29mm/01.14"	5mm/00.19"
AWHS1R070	187mm/07.36"	147mm/05.79"	29mm/01.14"	5mm/00.19"
AWHS1R101	282mm/11.10"	197mm/07.75"	28mm/01.10"	6mm/00.23"

(Unit: mm, ": inch)
 (Tolerance (except T): ±1mm)
 (T Tolerance: ±0.5mm)

5 System Settings

For more information, refer to the xAscender Studio User's Manual (Basic).
The products must be programmed with the software xAscender Studio.

When the product is first started, the following image will be displayed.



You need to install the xAscender HMI Runtime.

The installation is done simultaneously with the transfer of the application project created by xAscender Studio.

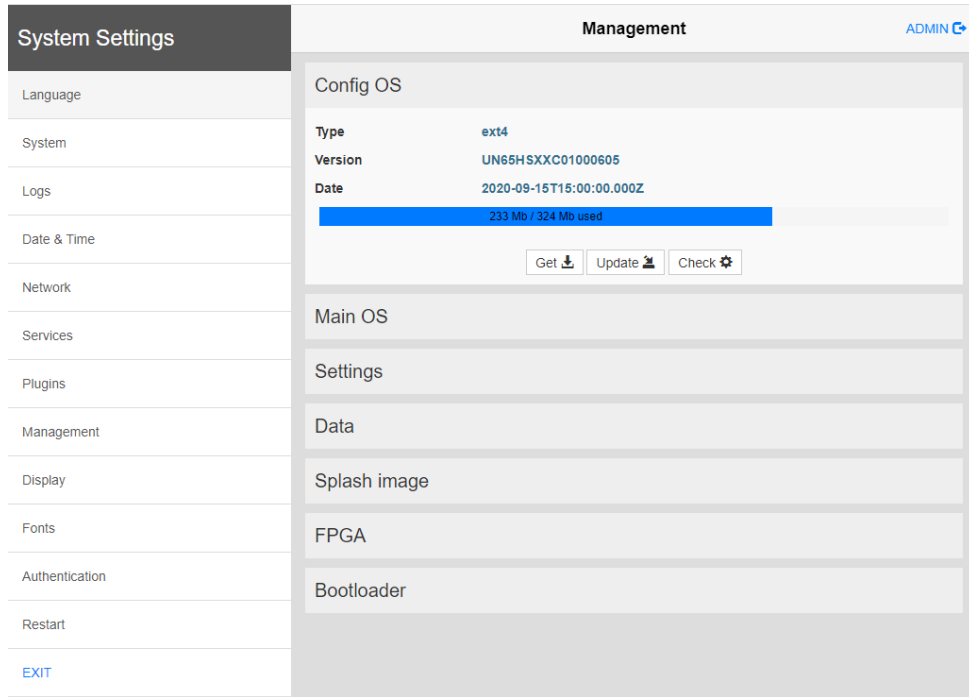
There are two options to transfer a xAscender Studio application project to a HMI device:

Ethernet: Connect the HMI device to the computer with an Ethernet. From xAscender Studio select the menu "Run" > "Download to target". You may have to ensure that the proper firewall policy has been configured in the computer to allow xAscender Studio to access the network.

USB: Create an Update Package using xAscender Studio and copy it from the USB memory to this product.

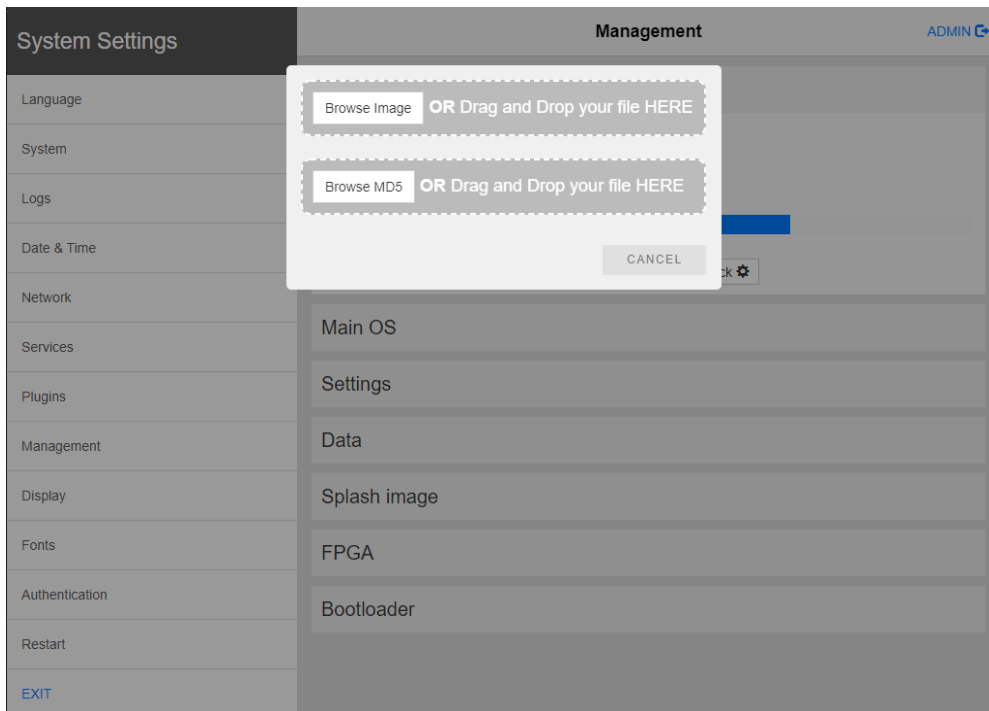
Update System Components

The system components of the device can update locally using a USB memory key or remotely via web browser. To update system components enter System Settings in Config OS mode via tap-tap procedure on HMI or open web browser to https://<HMI-IP-address>/machine_config and select the “Management” section.



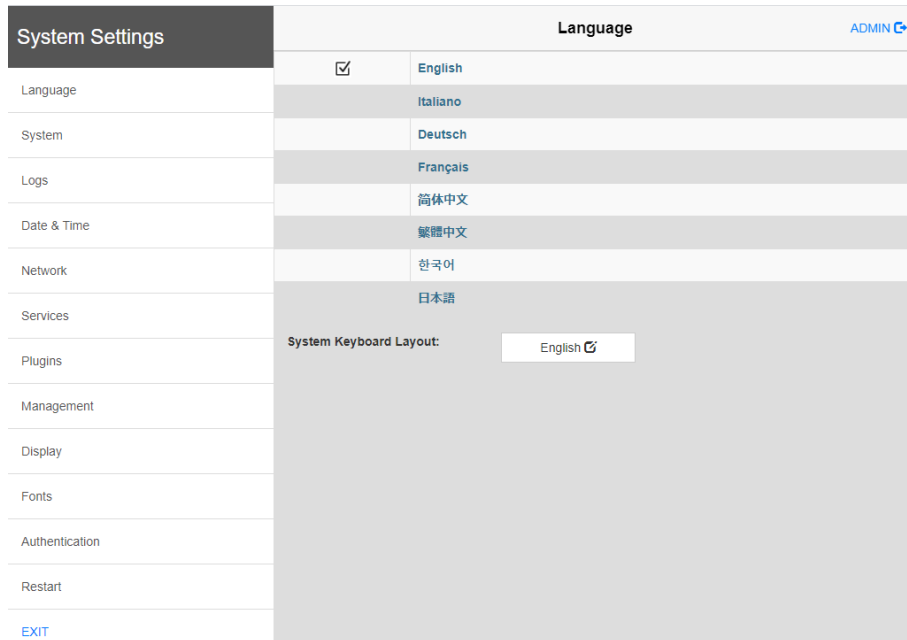
Expand the component to update and select [Update]

On the opened dialog, click [Browse Image], then select the “xxx-mainos-xxx.tar.gz” file. Click then on [Browse MD5] and select the “xxx-mainos-xxx.tar.gz.md5” file.



At the end of the component update, restart HMI and leave it starting normally.

The products have a system settings interface to allow configuration of system options. The user interface of System Settings is based on HTML pages accessible from the HMI screen or remotely using a Web browser Chrome v44 or higher using port 443. To connect enter the address https://IP/machine_config where IP is the IP address of the HMI device. Default username is “admin”, default password is “admin”. Use navigation menu on the left side of the screen to browse through the available options.



The right side shows related information and settings. Depending on the size of the HMI screen, both menu and content of selected item may be shown on screen at the same time or not.

System Settings has two modes of operation:

User Mode: xAscender HMI Runtime is running or the HMI device is in “factory default” status.

System Mode: xAscender HMI Runtime is not running or the HMI device has a software failure. System Mode includes all options available in User Mode and additionally includes commands dedicated to system upgrade and recovery not available when running in User Mode.

Activation of System Settings in User Mode:

xAscender HMI Runtime not running: Press “System Setting” button on the HMI screen

xAscender HMI Runtime running: Recall context menu and select “System Settings”. To recall the context menu click and hold any unused area of the touchscreen for a few seconds. Default hold time is 2 seconds.

Activation of Systems Settings in System Mode:

Normal operation:

If xAscender HMI Runtime is not running:

Press "System Setting" button on the HMI screen to enter in System Settings in User Mode. Select "Restart" -> "Config OS" to reboot in System Mode.

If xAscender HMI Runtime is running:

Recall context menu and select "System Settings". To recall the context menu click and hold any unused area of the touchscreen for a few seconds. Default hold time is 2 seconds to enter in System Settings in User Mode. Select "Restart" -> "Config OS" to reboot in System Mode.

Recovery operation:

If panel is not responsive:

Use the so-called "tap-tap" procedure. This procedure consists in tapping the surface of the touchscreen during the device power-up phase. Tapping frequency must be high. You have to start tapping the touchscreen as soon as power has been applied to the device. When the sequence has been recognized, the system shows the message:

"TAP-TAP DETECTED". At this point release touch to boot in User Mode without running xAscender HMI Runtime or press and hold few seconds (selecting so "RESTART: CONFIG OS") to boot in System Mode.

System Settings includes options for basic settings of the device.

Language	Configure language used for System Setting menu only.
System	Show informations about platform, status and timers (like System on time, backlight on time).
Logs	Enable persistent log for BSP and allows exporting it.
Date & Time	Change the device date and time, including time zone and NTP Server.
Network	Configure IP Address of Network interfaces and the network settings like DNS, Gateway, DHCP, Host name.
Services	Enable/disable services. Example of services are Cloud Services, SNMP Server.
Plugins	Not supported.
Management	Update of components (Main OS, Config OS, Boot Loader), check for partitions consistence, update of splash screen, information about usage and size of partitions. Main OS and Config OS updates are supported only in system mode.
Display	Adjust display brightness, configure automatic backlight turnoff and select HMI orientation (90°, 180°, 270° and 360°).
Fonts	Display the supported fonts. Import custom fonts.
Authentication	Configure password for administrator ("admin") and for the standard user ("user"). Administrator has full access to System Settings. Standard user has some limitations.
Restart	Main OS restarts by default, and "Config OS" restarts in system mode directly on the panel.
EXIT	Exit from the System Setting tool.

Revision History

Manual no.	Date.	Record of Changes
WUME-WHS1-01	Sep.2020	1st edition

Please contact

Panasonic Corporation

Panasonic Industrial Devices SUNX Co., Ltd.
<https://panasonic.net/id/pidsx/global>

Please visit our website for inquiries and about our sales network.

© Panasonic Industrial Devices SUNX Co., Ltd. 2020
December, 2020

WUME-WHS1-01