

Safety Pull Chord Switch

XPS



SALIENT FEATURES

- ◆ 70N Pull Force
- ◆ Latch/Reset function
- ◆ Galvanically separated contacts
- ◆ Positive opening of NC contacts
- ◆ Screw terminals with self-lifting clamps

Model Number Legend

XPS - □ □ - □ - □

1 2 3 4 5

1. Series

XPS

2. Body

P: Plastic Body

M: Metal Body

3. Actuation

1: One Way

2: Two Way

4. Contact Block

S1O1C: 1 NO /1 NC Slow Action

SO1O1C: 1 NO /1 NC Slow Action Overlapping

S2C: 2 NC Slow Action

SO2C1O: 2 NC /1NO Slow Action Overlapping

5. Reset

N: No Reset

R: Reset Option

Example:

XPS-M2 -S2C

XPS Series - Metal Body, Two Way Actuation, 2NC Slow Action Contact Block

NOTE: Contact us for models not shown in catalogue.

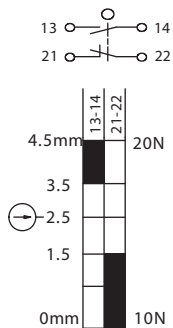
Ratings and Specifications

Models	XPS - _ _ - _ - _
Contact Configurations	2 N/C + 1 N/O, 3 N/C
Switching Ability	AC: 120 V - 6 A, 240 V - 3 A, Inductive; DC: 24 V - 2.5 A, Inductive
Max. Switching	240 V /720 VA
Min. Current	5 V 5 mA DC
Electrical Life	1 x 10 ⁶ min.
Mounting/ Mounting Hardware	Any Position / 4 x M5 Screws
Max. Rope Span	100m
Operational Force	< 70N
Tensioning Force	45N Typical
Protection Class	IP67
Certification	IEC947-5-1, IEC947-5-5, EN418
Operating Temperature	-25 ~ 80°C
Mechanical Life	1 x 10 ⁶ min.
Eye Nut Material	Stainless Steel
Wiring Entry	3 x M20 or 3 x 0.5 in. NPT
Color	Red / Blue
Case Material	Die-cast Aluminium alloy / Moulded ABS

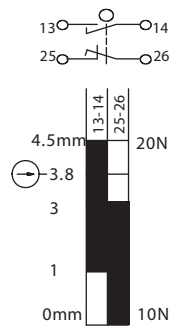
Contact Arrangement

One Way Actuation:

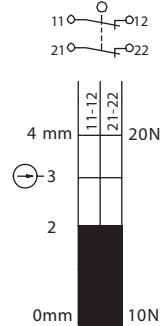
XPS-P1-S101C- _



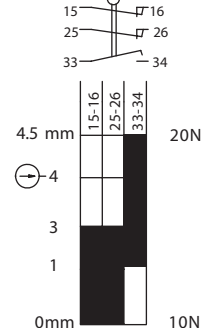
XPS-P1-S0101C- _



XPS-P1-S2C- _



XPS-P1-S02C10- _

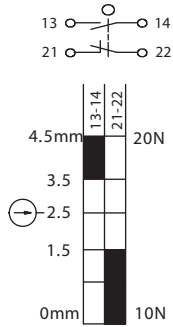


All dimensions are in mm

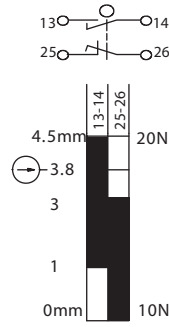
Contact Arrangement

XPS

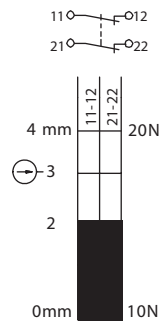
XPS-M1-S1O1C-N



XPS-M1-SO1O1C-N

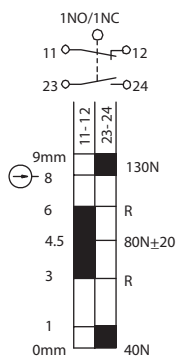


XPS-M1-S1O1C-R

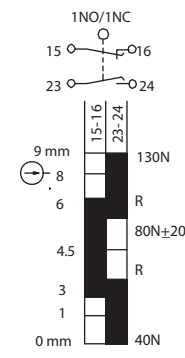


Two Way Actuation:

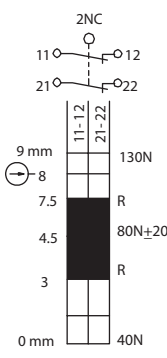
XPS-P2-S1O1C-R



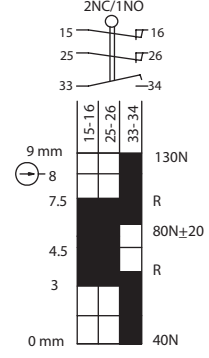
XPS-P2-SO1O1C-R



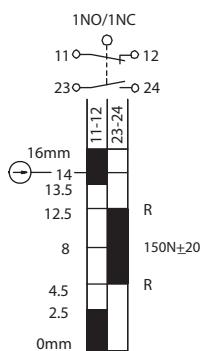
XPS-P2-S2C-R



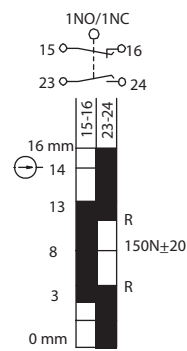
XPS-P2-SO2C1O-R



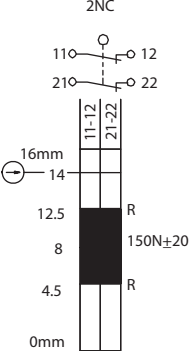
XPS-M2-S1O1C-R



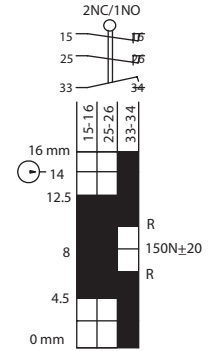
XPS-M2-SO1O1C-R



XPS-M2-S2C-R



XPS-M2-SO2C1O-R



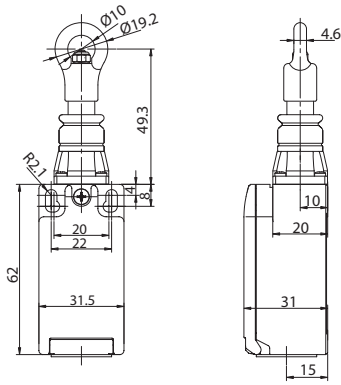
All dimensions are in mm

Dimension Drawing

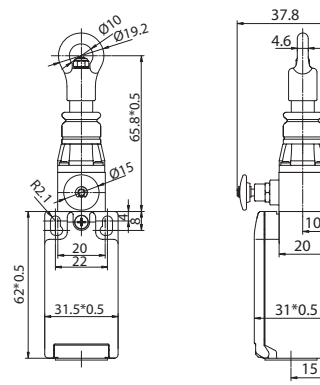
One Way Actuation:

All dimensions are in mm

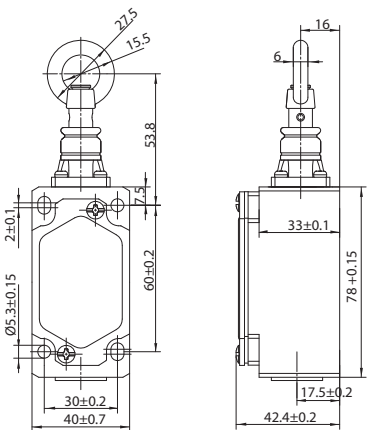
◆ XPS-P1-_-N



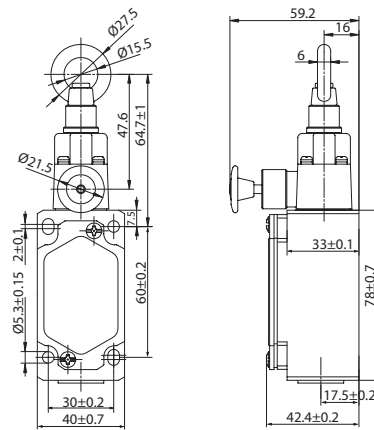
◆ XPS-P1-_-R



◆ XPS-M1-_-N

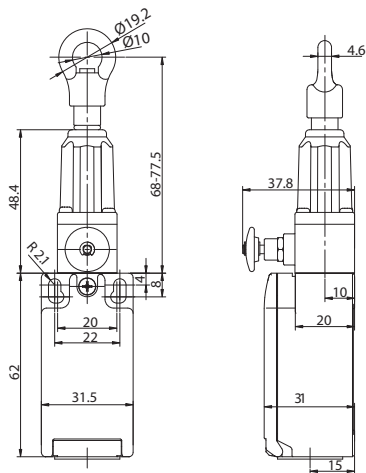


◆ XPS-M1-_-R

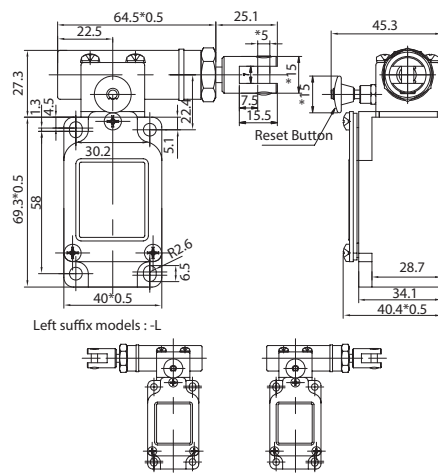


Two Way Actuation:

◆ XPS-P2-_-R



◆ XPS-M2-_-R



Proximity Sensors

Photoelectric Sensors

Measurement Sensors

Vision & Safety Sensors

Control

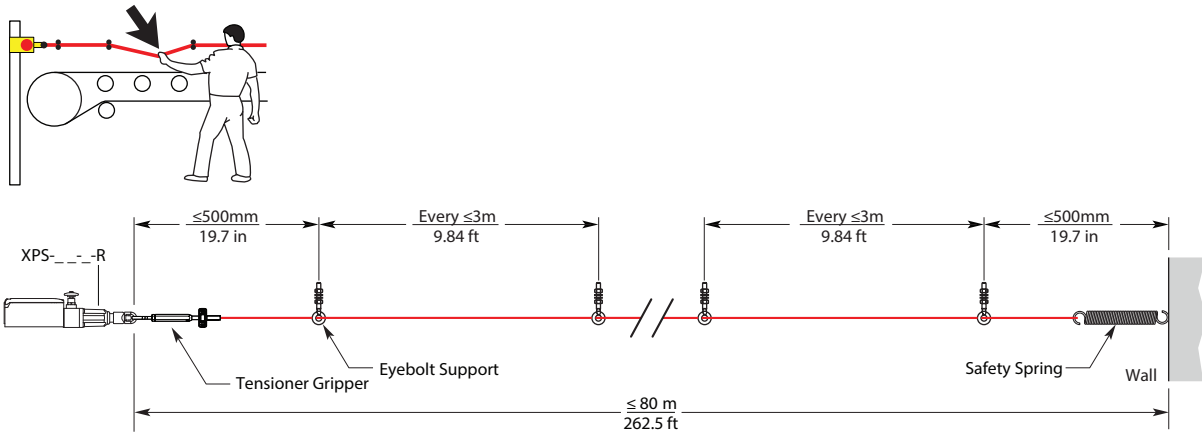
Weighing

Automation

Components

Mounting and Adjustments

XPS

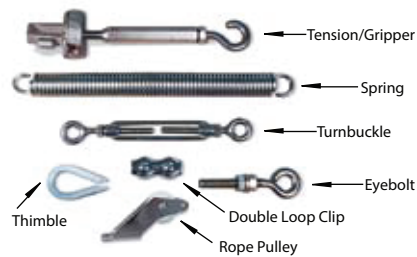


Available Installation Hardware

◆ Rope Tension Kit



◆ Other Tool Kit



*Individual hardware items can be purchased for specific installation requirements.

Cat. No. XPS-316

Exclusively Represented by:

Intech Systems Chennai Pvt Ltd
 S-2, Guindy Industrial Estate
 Chennai - 600 032. Ph: 4353 8888
 Email: info@intechchennai.com

www.inno.sg

© INNO, Rights Reserved
 In the interest of continuous product improvement
 specifications are subject to change without notice