

# Digital Panel Meter

Process Meter

# DMP



CE

## SALIENT FEATURES

- ◆ PV & SV Display
- ◆ 2 Alarm indication
- ◆ MODBUS via RS-485
- ◆ Alarm, Current Output
- ◆ 100-240 VAC Power supply
- ◆ 24 VDC Auxiliary Power supply
- ◆ TC/ RTD/ Voltage/ Current Input

## Model Number Legend

**DMP-**    

1      2   3

### 1. Series

DMP

### 3. Power Supply

230AD: 230V AC/ DC

### 2. Output Type

R: 2 Relay Output

C: 2 Relay + Current Output

M: 2 Relay + Current Output + RS-485 Modbus

### #. Accessories included

Panel Mounting Kit : 1 Set

### Example:

DMP-M230AD

DMP Series - 2 Relay, Current Output type with RS-485 Communication Type - 230V AC/ DC Power Supply

**NOTE:** Contact us for models not shown in catalogue.

- Sensing
- Digital Panel Meters
- Temperature Controllers
- Timers & Counters
- Level Controllers
- Convertors & Amplifiers
- Weighing
- Automation
- Components

## Product Highlights

### ◆ Large LED Display!

The DMP realizes the requirement for a larger and brighter display in the industry. The DMP series has dual displays with hi-bright 4 digit RED 7-segment LED displays that are 30% larger than standard panel meter displays\*.

The SV is a 4 digit GREEN 7-segment LED display.



### ◆ Multiple Output Options

The DMP provides multiple output options in one compact package. Dual Relay Alarm Outputs, Retransmission Current Output & Modbus via RS-485 with read and write functions.



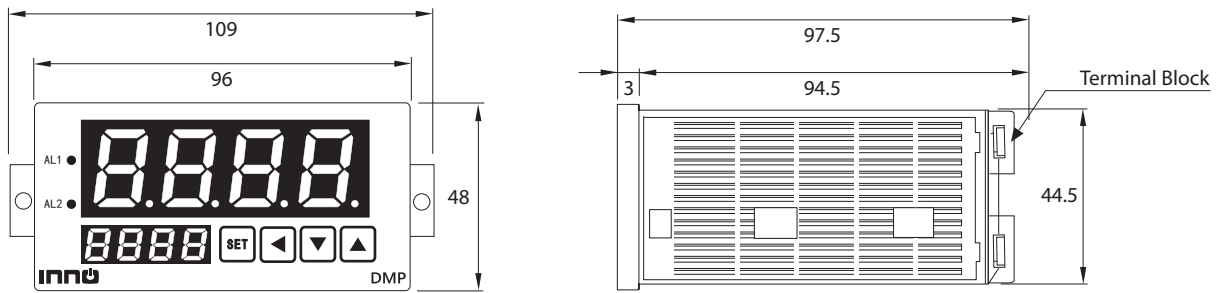
## Ratings and Specifications

Output Type		Relay	Relay + Current O/P	Relay + Current O/P + Communication
Models		DMP-R230AD	DMP-C230AD	DMP-M230AD
Power Supply		100-240V AC/ DC ±10%		
Power Consumption		35mA at 220 VAC		
Signal Input		TC, RTD, 0-50mV, 4-20mA, 0-10V, 0-400Ω		
Auxiliary Voltage Output		24 VDC, 30mA		
Output Type		2 Relay	2 Relay, Current	2 Relay, Current, RS 485
Control Output Specification	Relay	250 VAC, 1 A (Resistive Load)		
	Current	4~20mA Current Output, Load resistance 600Ω max.		
	Communication	RTU Modbus via RS-485		
PV Display	Method	4 digit, 7 Segment 1" RED LED		
	Range	- 1999 to 9999		
SV Display	Method	4 digit, 7 Segment 0.3" GREEN LED		
	Range	- 1999 to 9999		
Sampling Time		min. 16.6ms		
Dielectric Strength		At power terminals 2000 VAC, 50Hz, 1 min		
Ambient Temperature		Operation: 0° ~ 50°C; Storage: -10° ~ 60°C (non- freezing; non- condensing)		
Ambient Humidity		Operation: 45 ~ 80% RH; Storage: 25 ~ 85% RH (non- condensing)		
Protection Class		IP20, Front panel IP65		
Weight		approx. 150 grams		
Material		Front Panel: PU Cladding Housing: ABS or Equiv.		

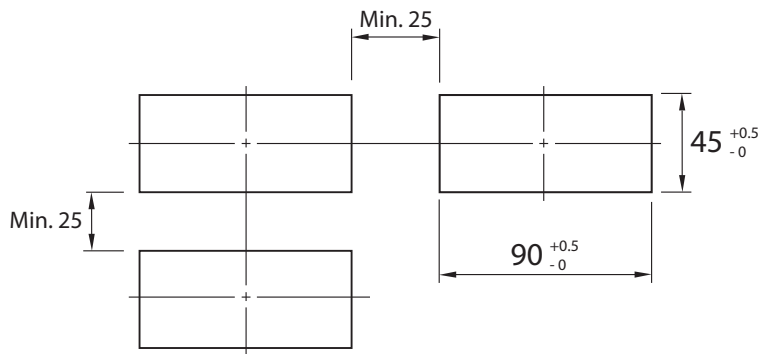
Note: The IP65 protection rating is valid only if the meter is fixed on the panel with the requisite rubber gasket

# Dimension Drawing

DMP

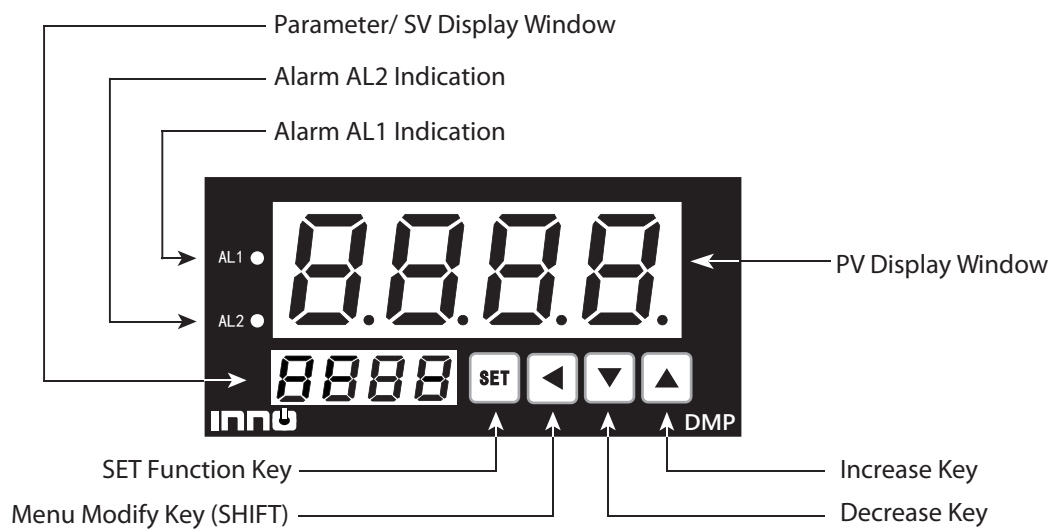


## Panel Cut-out



All dimensions are in mm

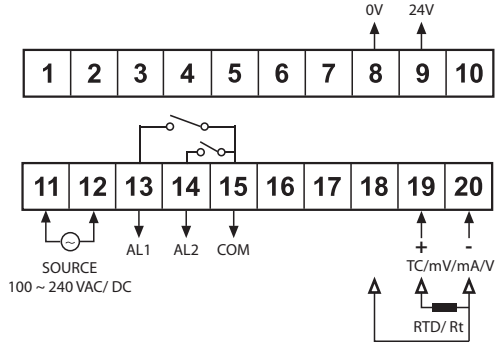
# Component Names and Function



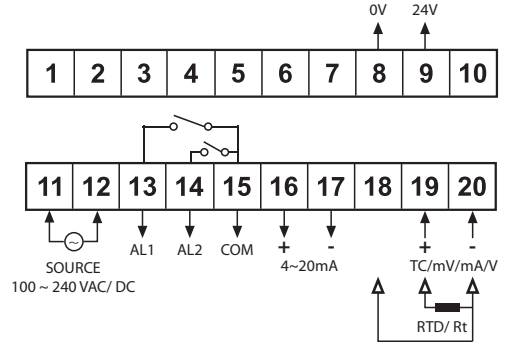
- Sensing
- Digital Panel Meters
- Temperature Controllers
- Timers & Counters
- Level Controllers
- Convertors & Amplifiers
- Weighing
- Automation
- Components

Connections

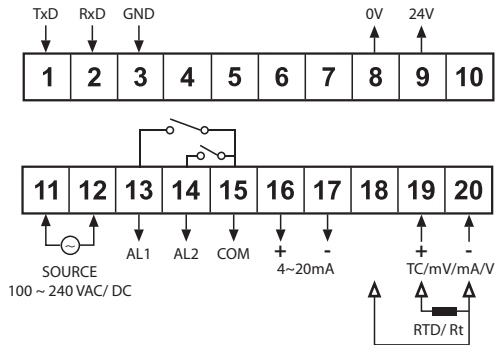
◆ DMP-R230AD



◆ DMP-C230AD



◆ DMP-M230AD



Exclusively Represented by:

Intech Systems Chennai Pvt Ltd  
 S-2, Guindy Industrial Estate  
 Chennai - 600 032. Ph: 4353 8888  
 Email: info@intechchennai.com

**inno**<sup>TM</sup>  
 www.inno.sg

© INNO, Rights Reserved  
 In the interest of continuous product improvement  
 specifications are subject to change without notice

Cat. No. DMP-712

- Sensing
- Digital Panel Meters
- Temperature Controllers
- Timers & Counters
- Level Controllers
- Convertors & Amplifiers
- Weighing
- Automation
- Components