

# Digital Panel Meter

Universal Input Meter

# DMU



CE

Model Number Legend

## SALIENT FEATURES

- ◆ Dual Displays
- ◆ 2 Alarm indication
- ◆ MODBUS via RS-485
- ◆ Alarm, Current Output
- ◆ 100-240 VAC Power supply
- ◆ 12, 24 VDC Aux Power supply
- ◆ Potentiometric/ Loadcell Input
- ◆ RTD/ Voltage/ Current Input

**DMU-**

1      2    3

### 1. Series

DMU

### 3. Power Supply

230AD: 230V AC/DC

### 2. Output Type

R: 2 Relay Output

C: 2 Relay + Current Output

M: 2 Relay + Current Output + RS-485 Modbus

### #. Accessories included

Panel Mounting Kit : 1 Set

### Example:

DMU-M230AD

DMU Series - 2 Relay, Current Output type with RS-485 Communication Type - 230 V AC/DC Power Supply

**NOTE:** Contact us for models not shown in catalogue.

- Sensing
- Digital Panel Meters
- Temperature Controllers
- Timers & Counters
- Level Controllers
- Convertors & Amplifiers
- Weighing
- Automation
- Components

## Product Highlights

### ◆ Universal Signal Input

The DMU is one of the most powerful panel meter in its class. It can accept any signal input ranging from RTD/ , Current, Voltage, Potentiometric, Strain Gauge (Loadcell), etc.,.

### ◆ Dual Auxiliary Power Supplies

The panel meter is one of the first to incorporate dual auxiliary power supplies for sensors in one meter. The unit has a built in 12VDC and 24VDC Auxiliary Power Supply built in across all models.

### ◆ Multiple Output Options

The DMU provides multiple output options in one compact package. Dual Relay Alarm Outputs, Retransmission Current Output & Modbus via RS-485 with read and write functions.



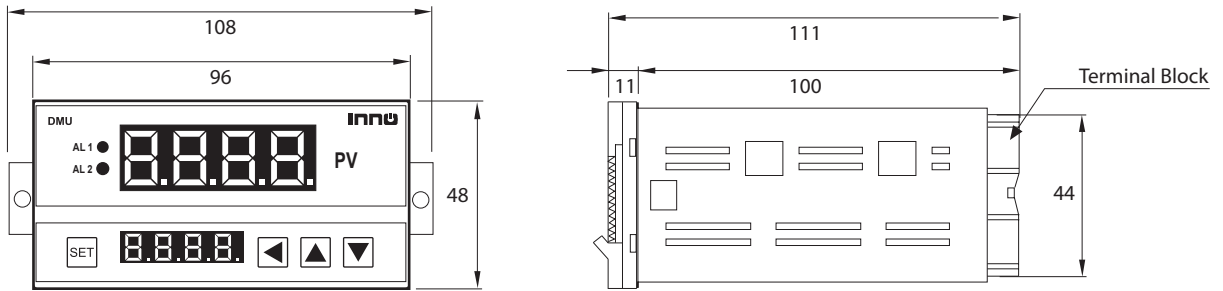
## Ratings and Specifications

Output Type	Relay	Relay + Current O/P	Relay + Current O/P + Communication
Models	DMU-R230AD	DMU-C230AD	DMU-M230AD
Power Supply	100-240 V AC /DC ±10%		
Power Consumption	40mA at 220 VAC		
Signal Input	RTD, 0-50mV, 4-20mA, 0-10V, 0-400Ω, RT		
Strain Gauge Input	4 Wire - 350Ω Loadcell 1No. (30mA)		
Auxiliary Voltage Output	24 VDC at 30mA; 12 VDC at 30mA		
Output Type	2 Relay	2 Relay, Current	2 Relay, Current, RS 485
Control Output Specification	Relay	AL1: 250 VAC, 12 A (Resistive Load); AL2: 250 VAC, 5A (Resistive Load)	
	Current	4~20mA Current Output, Load resistance 600Ω max.	
	Communication	RTU Modbus via RS-485	
PV Display	Method	4 digit, 7 Segment 1 /2" RED LED	
	Range	- 1999 to 9999	
SV Display	Method	4 digit, 7 Segment 0.3" GREEN LED	
Sampling Time	min. 16.6ms		
Dielectric Strength	At power terminals 2000 VAC, 50Hz, 1 min		
Ambient Temperature	Operation: 0° ~ 50°C; Storage: -10° ~ 60°C (non- freezing; non- condensing)		
Ambient Humidity	Operation: 45 ~ 80% RH; Storage: 25 ~ 85% RH (non- condensing)		
Protection Class	IP20, Front panel IP65		
Weight	approx. 150 grams		
Material	Front Panel: PU Clading Housing: ABS or Equiv.		

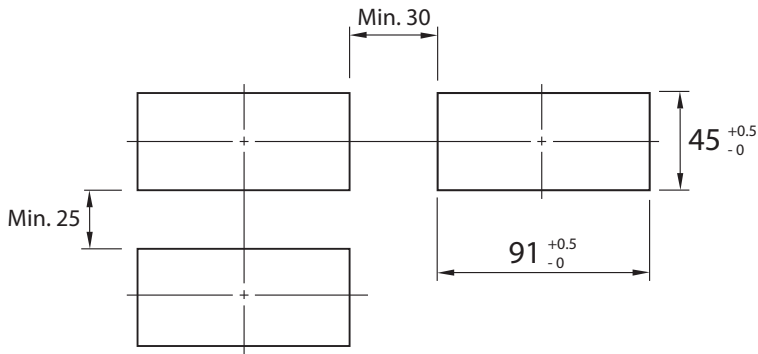
Note: The IP65 protection rating is valid only if the meter is fixed on the panel with a rubber gasket

# Dimension Drawing

DMU

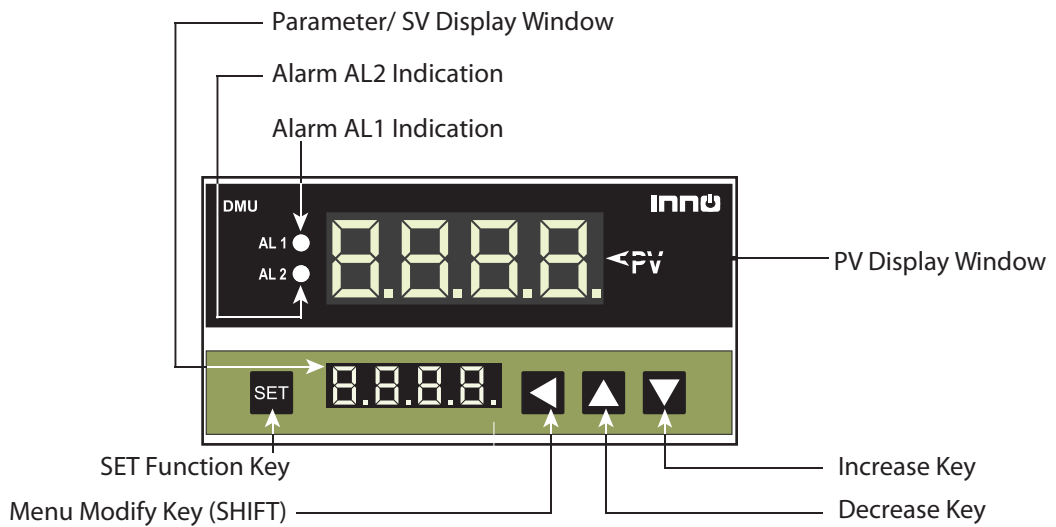


## Panel Cut-out



All dimensions are in mm

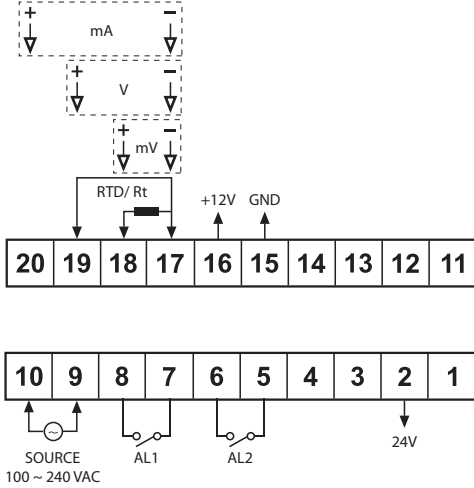
# Component Names and Function



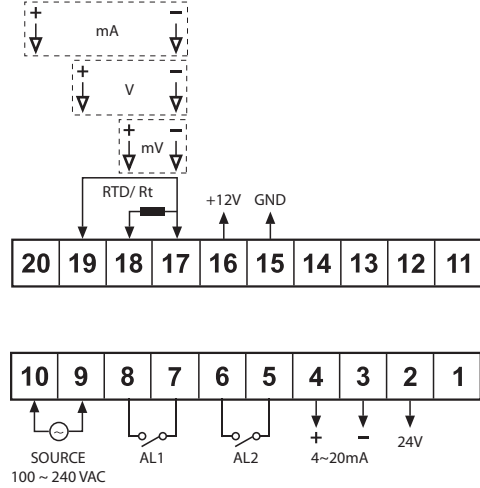
- Sensing
- Digital Panel Meters
- Temperature Controllers
- Timers & Counters
- Level Controllers
- Convertors & Amplifiers
- Weighing
- Automation
- Components

Connections

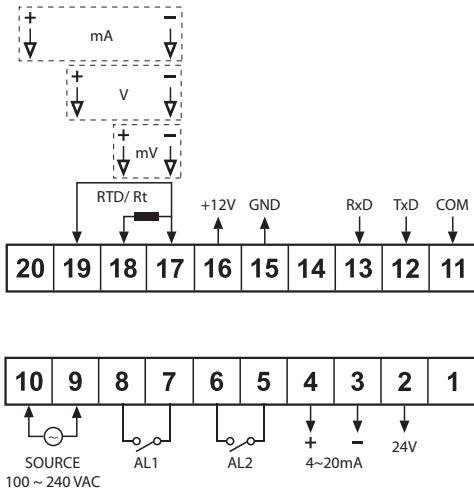
◆ DMU-R230AD



◆ DMU-C230AD



◆ DMU-M230AD



Exclusively Represented by:

Intech Systems Chennai Pvt Ltd  
 S-2, Guindy Industrial Estate  
 Chennai - 600 032. Ph: 4353 8888  
 Email: info@intechchennai.com

www.inno.sg

© INNO, Rights Reserved  
 In the interest of continuous product improvement  
 specifications are subject to change without notice

Cat. No. DMU-317