

Battery Backup SMPS

SSB



SALIENT FEATURES

- ◆ 150% Overload for 3 secs
- ◆ Power, Battery & Load Indication
- ◆ Rated for Dynamic Load Condition
- ◆ Smooth Power to Battery Switching
- ◆ Built-in Li-ion Battery Compact Type
- ◆ Terminal-External Battery Connection

Model Number Legend

SSB - \square \square - \square

1 2 3 4

1. Series

SSB

2. Output Voltage

24DC : 24 VDC

12DC : 12 VDC

3. Power Rating

60W : 60 Watts

120W : 120 Watts

240W : 240 Watts

4. T: Terminal

B : Li-ion Battery

Example:

SSB-24DC-120W-T

SSB Series - 24VDC Output Voltage, 120 Watts

NOTE: Contact us for models not shown in catalogue

Product Highlights

◆ Backup Function

SSB Series comes with automatic backup power supply function in the event of input supply failure. The power supply operates in continuous Standby (Online Mode) to ensure that there is no flicker switching time loss.

- Sensing
- Control
- Weighing
- Automation
- Power Supplies
- Switching
- Tower Lamps
- Cables & Electrodes
- Accessories

◆ Long Power Backup

Battery terminals are provided in the SMPS that can be connected to 12V batteries can be connected in series for longer backup.

◆ Overvoltage Protection

When error occurs in the feedback device inside the powersupply, the overvoltage protection (OVP) will force the SMPS to enter level 2 output (30-32VDC) and the output voltage will be lower than 35V.

◆ Surge and Dynamic Load

The power supply is capable of enduring upto 3 seconds of surge load of 150% of the output voltage $\pm 5\%$ of limit. The power supply also withstands upto 220% inrush current (startup current) when connecting the AC input to the power supply.

The SSB series power supply is capable of accepting a dynamic change of load from 0-100% with a very minimal output variation of $\pm 5\%$ of limit.

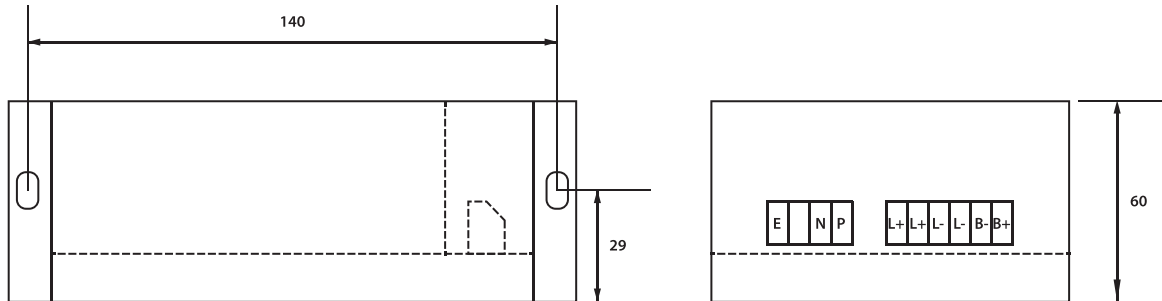
Ratings and Specifications

Power Rating	60 Watts	120Watts	120Watts	240Watts
Model	SSB-12DC-60W-T	SSB-12DC-120W-T	SSB-24DC-120W-T	SSB-24DC-240W-T
Output Voltage	12VDC	12VDC	24VDC	24VDC
Rated Current	5A	10A	5A	10A
Efficiency	80%			
Input Voltage	100-230VAC			
Input Frequency	50/60Hz (75 ~ 63Hz)			
Input Current	0.32 (at 230 VAC)	0.65 (at 230 VAC)	0.65 A (at 230 VAC)	1.3A(at230VAC)
Power Factor (Typical)	0.8			
Lekage Current	< 3.5mA			
Inrush Current	40A max.			
Ripple	30mV			
Startup Time	1.61s			
Rise Time	29.53ms (10% - 90%)			
Hold Time	134ms			
Thermal Derating	After 50° C - 2.5%/1° C			
Overload Protection	150% of rated current (3 sec)			
Power Boost	120% of Rated Current			
MTBF	> 15,000 hours			
Shock Resistance	5G - X, Y, Z three directions for 3times to destruction			
Vibration Resistance	10 to 60 Hz, 0.35 mm in X, Y, Z directions for 2 hours			
Ambient Temperature	-40° to 80° C (non-freezing; non-condensing)			

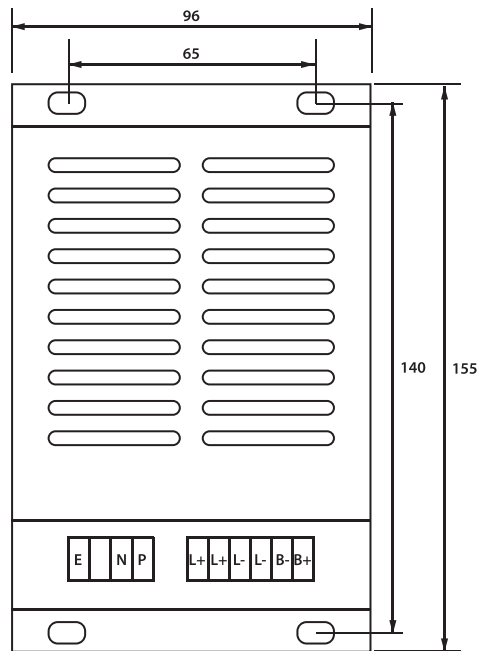
Dimension Drawing

SSB

Side View



Top View



All dimensions are in mm

Cat. No. SSB-B22

Exclusively Represented by:

Intech Systems Chennai Pvt Ltd
 S-2, Guindy Industrial Estate
 Chennai - 600 032. Ph: 4353 8888
 Email: info@intechchennai.com

innoTM
www.inno.sg

© INNO, Rights Reserved
 In the interest of continuous product improvement
 specifications are subject to change without notice

- Sensing
- Control
- Weighing
- Automation
- Power Supplies
- Switching
- Tower Lamps
- Cables & Electrodes
- Accessories